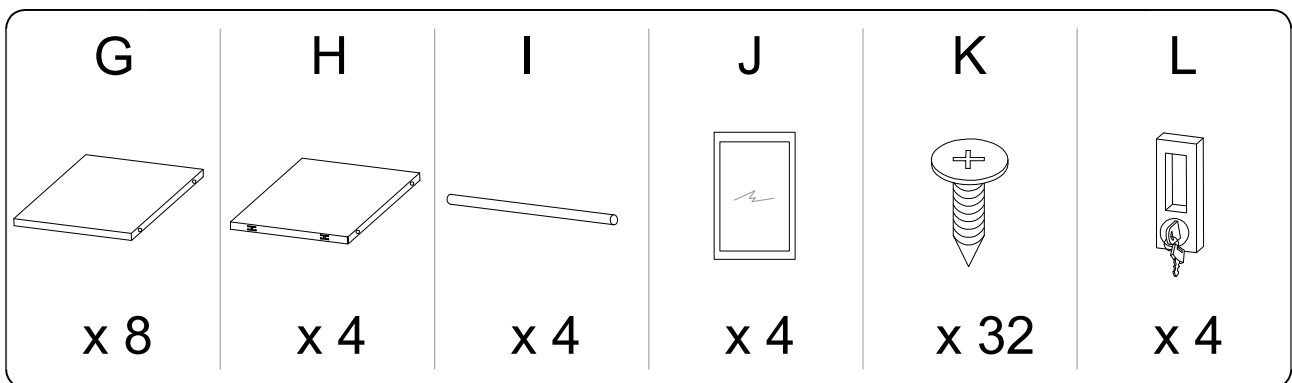
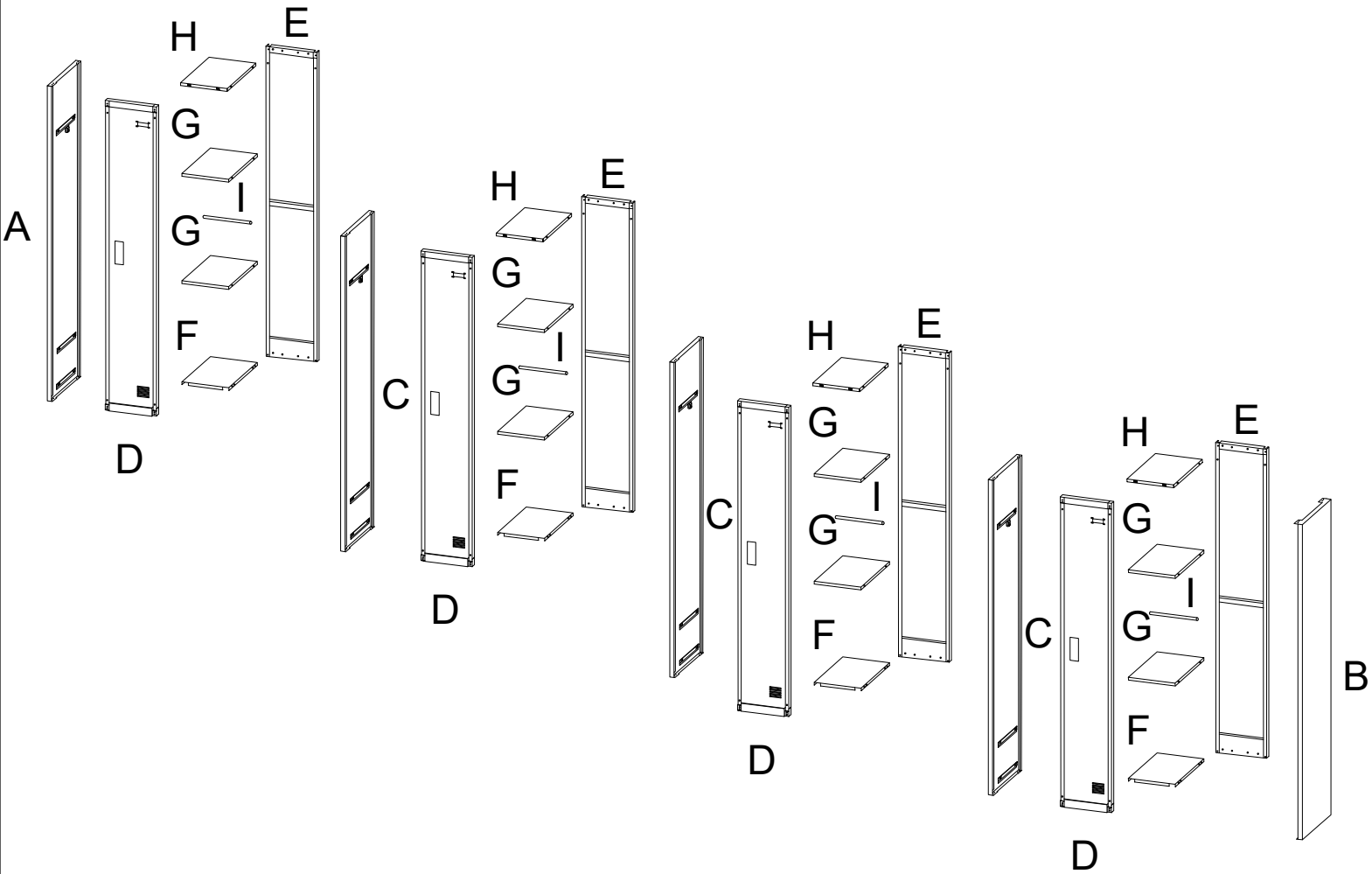
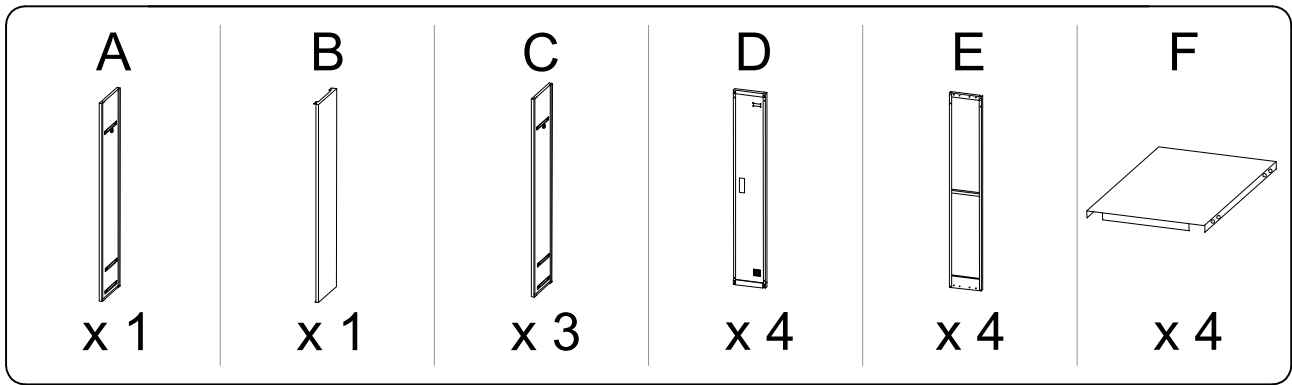


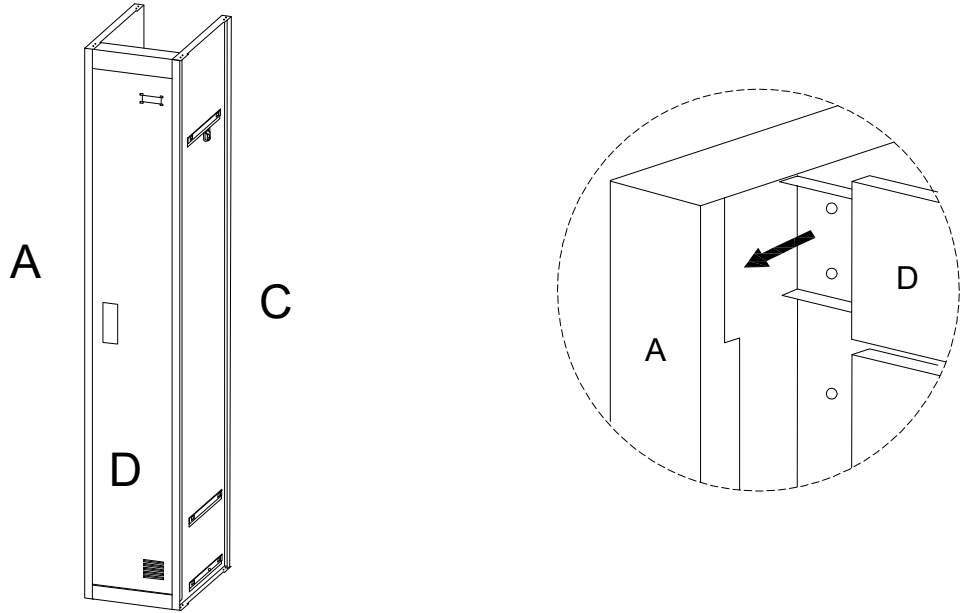
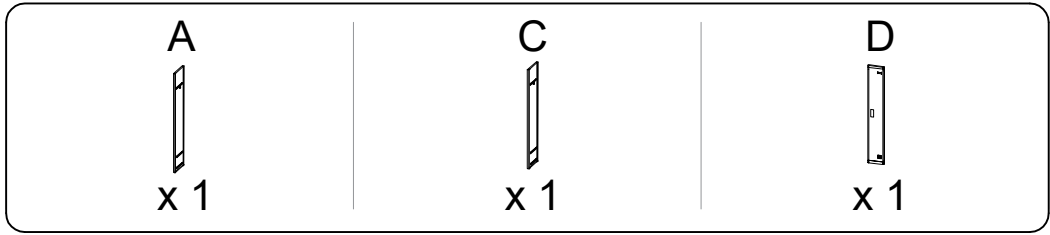
90'



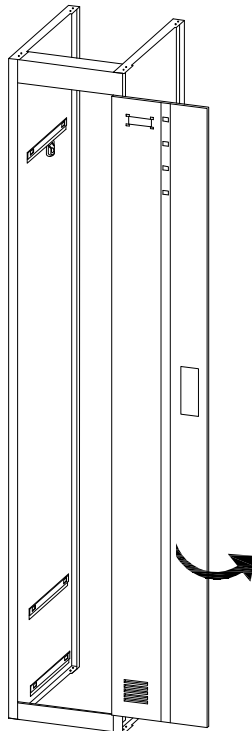
2



1



!



2

E

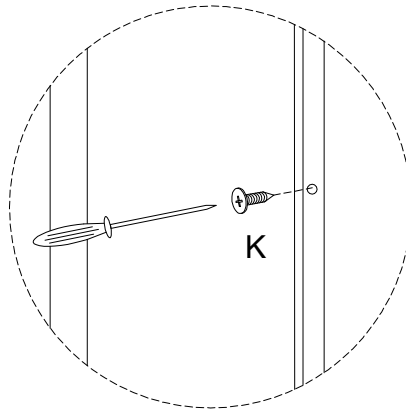
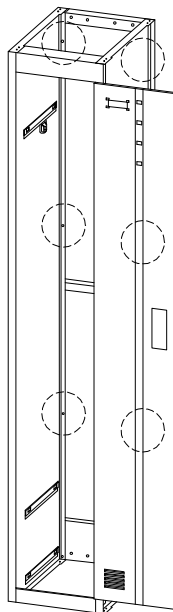


x 1

K

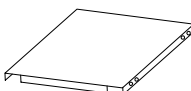


x 6

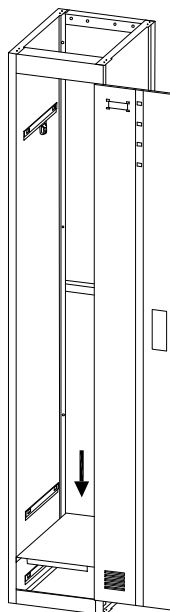


3

F



x 1

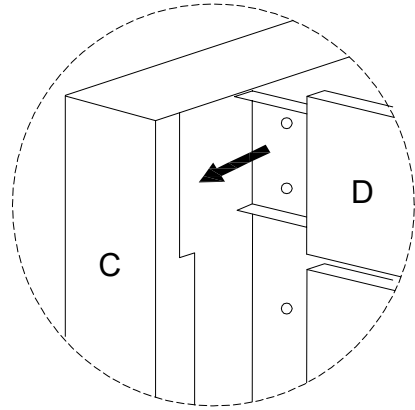
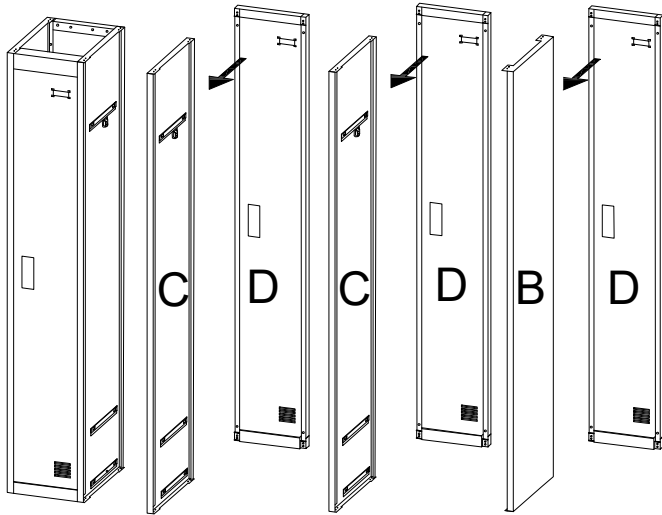


4

B
x 1

C
x 2

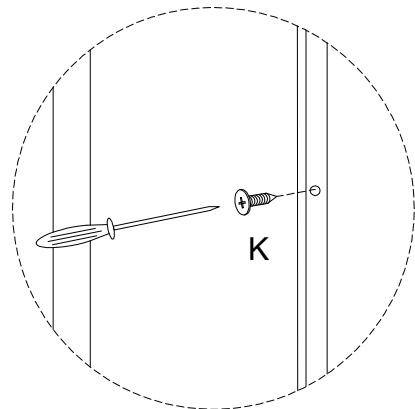
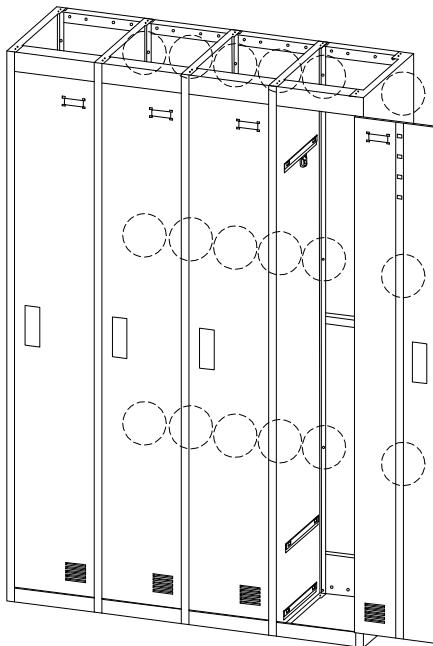
D
x 3



5

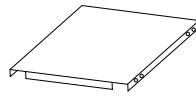
E
x 3

K
x 18

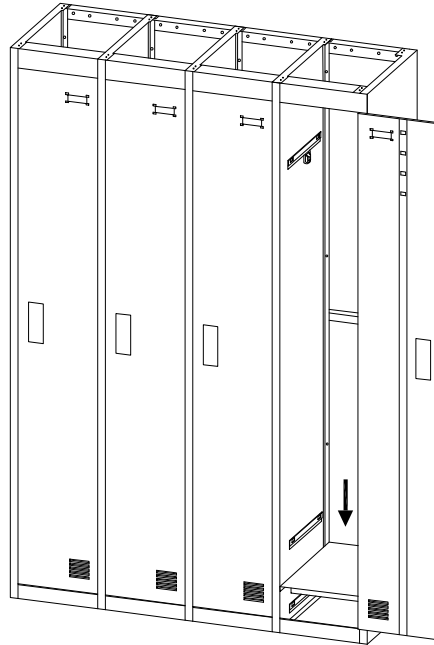


6

F



x 3



7

H

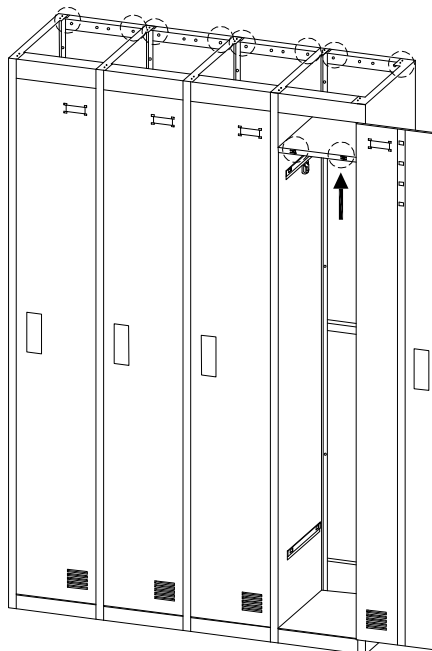


x 4

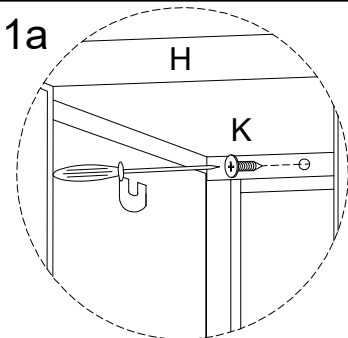
K



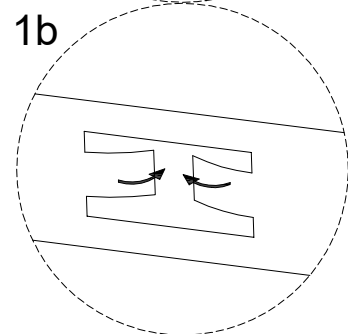
x 8



1a

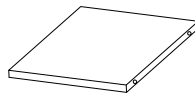


1b

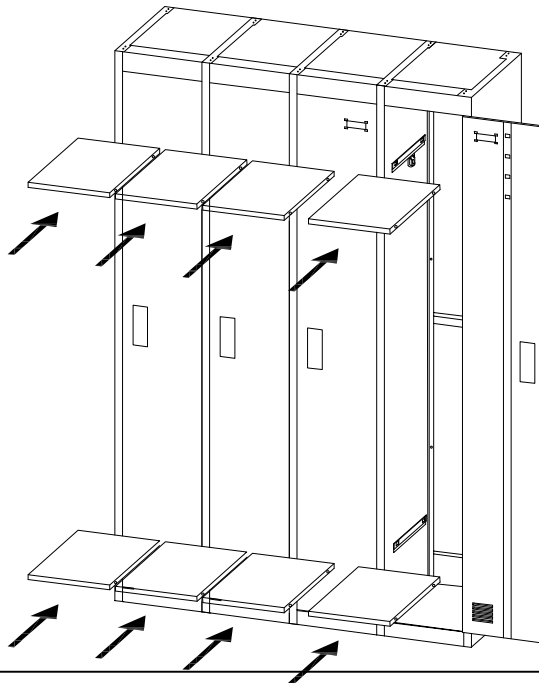


8

G



x 8

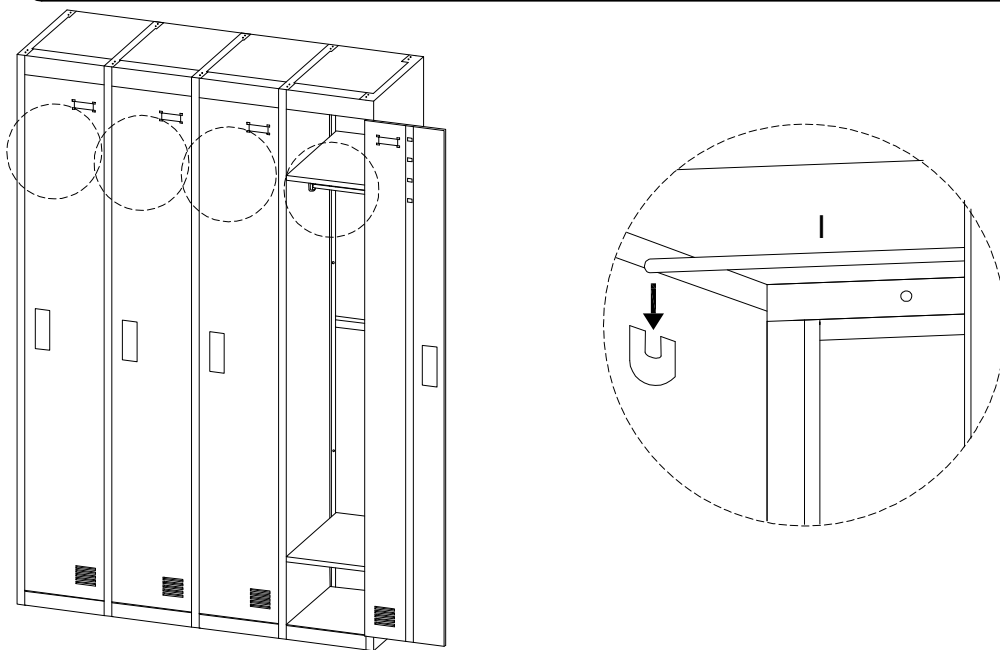


9

I



x 4

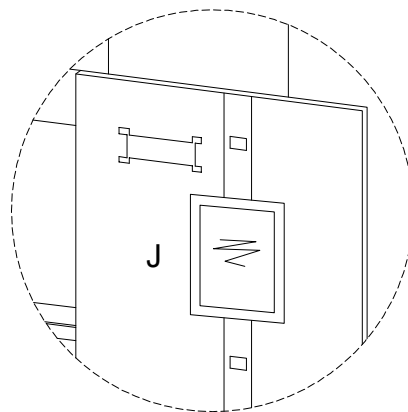
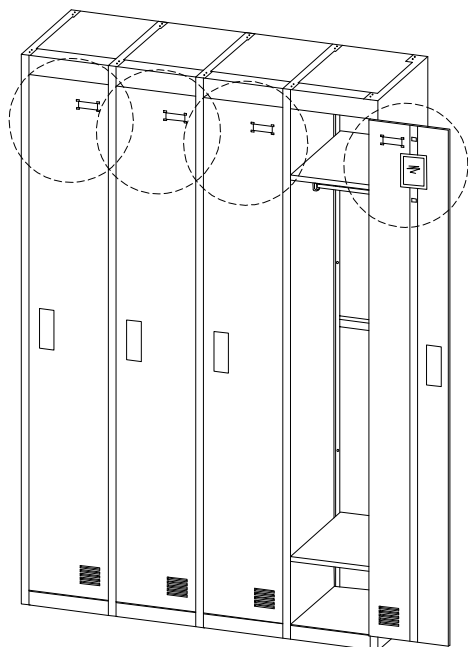


10

J



x 4



11

L



x 4

