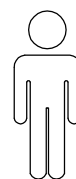
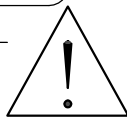
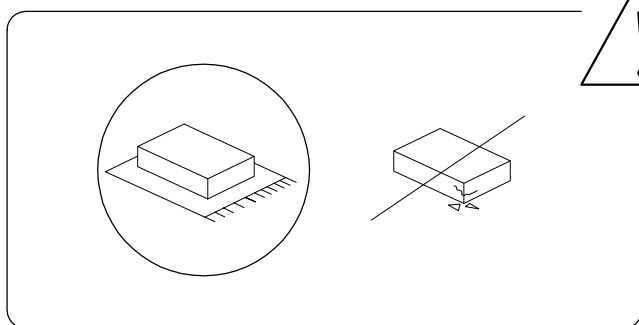




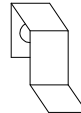


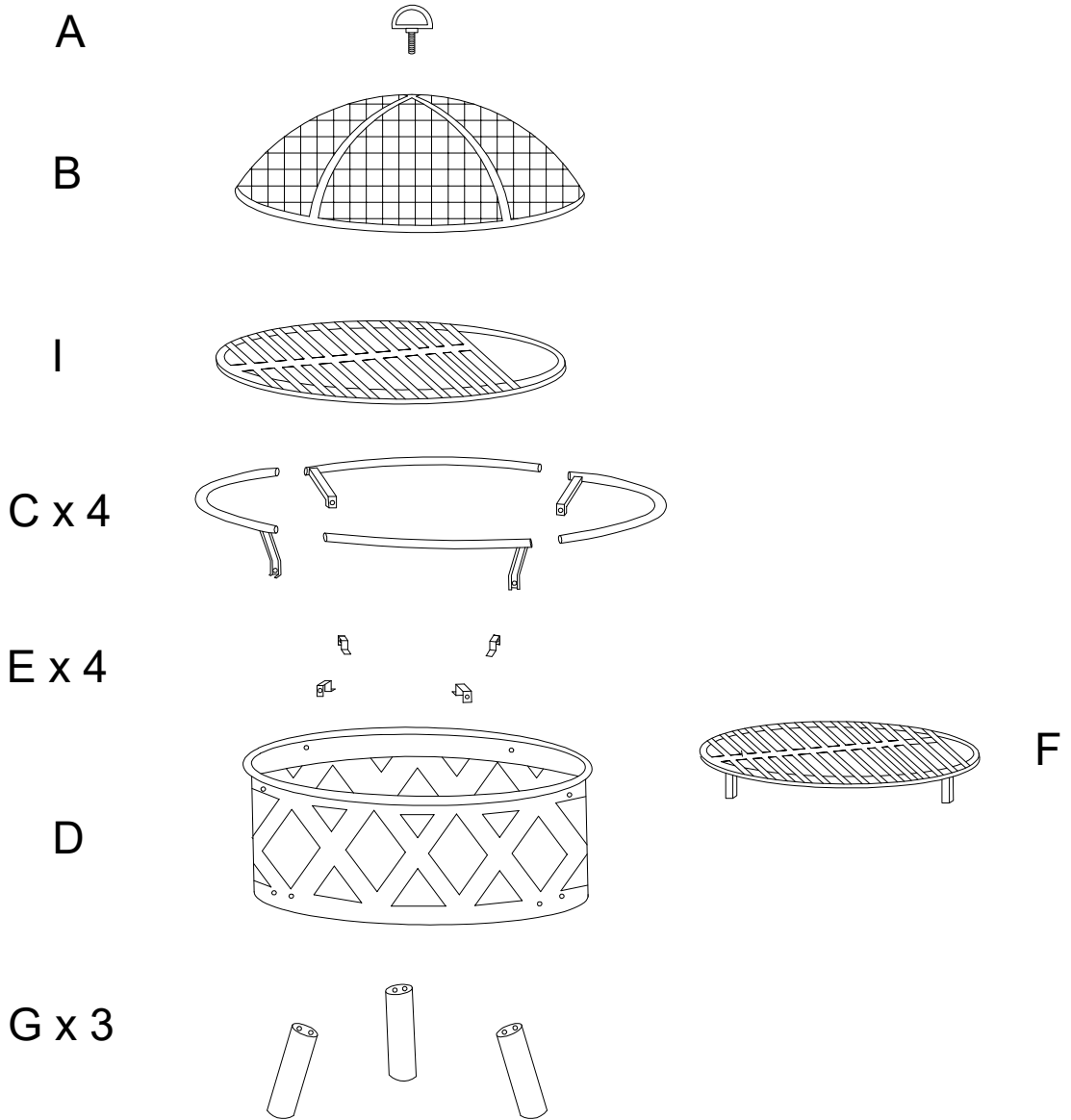



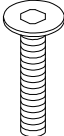
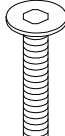
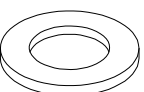
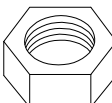
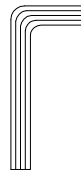
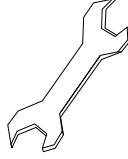
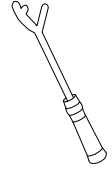
30'





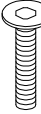
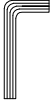
1

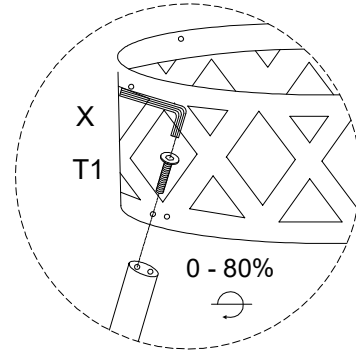
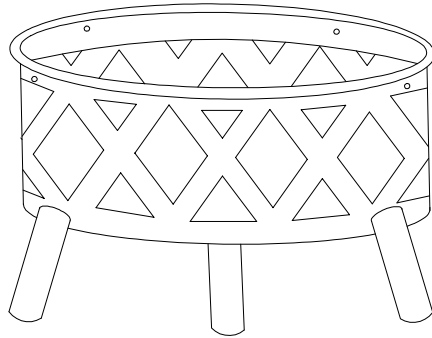
A	B	C	D	E	F	G
						
x 1	x 1	x 4	x 1	x 4	x 1	x 3



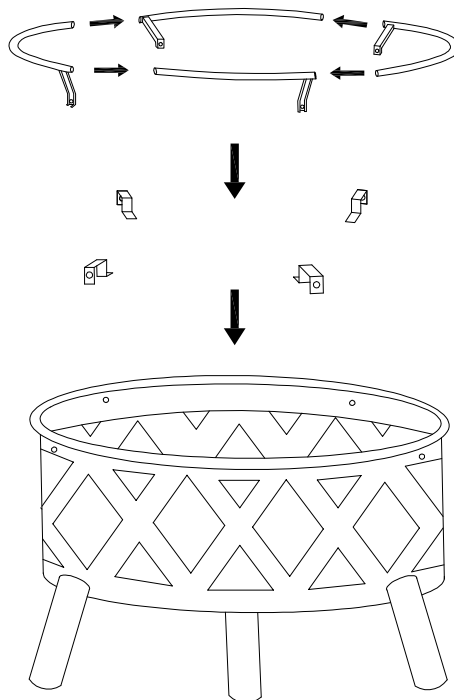
I	T1	T2	U	V	X	Y	Z
	 M6 x 16	 M6 x 19					
x 1	x 6	x 4	x 5	x 5	x 1	x 1	x 1

1

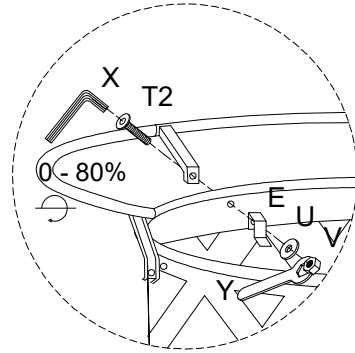
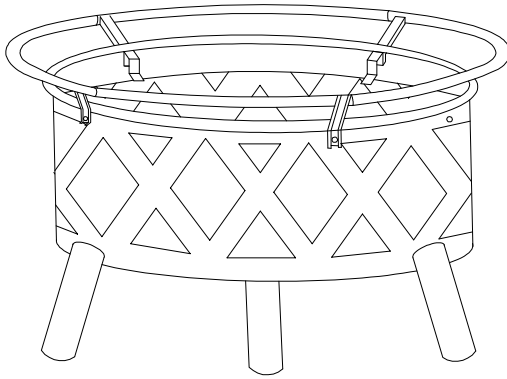
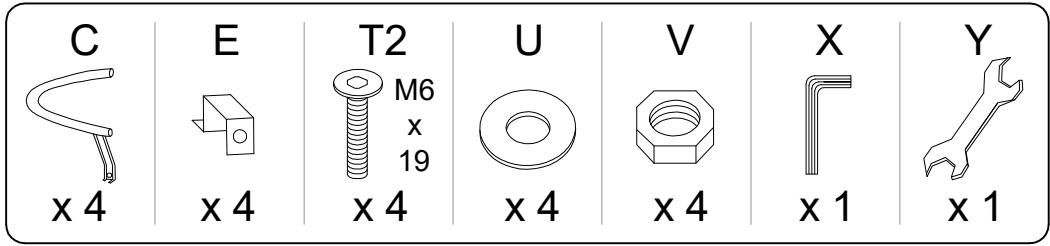
<p>D</p>  <p>x 1</p>	<p>G</p>  <p>x 3</p>	<p>T1</p>  <p>M6 x 16 x 6</p>	<p>X</p>  <p>x 1</p>
---	---	---	---



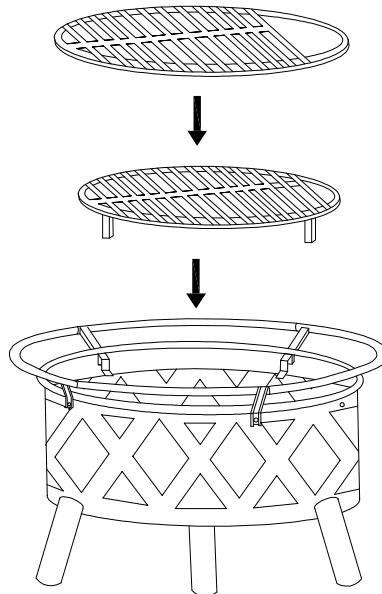
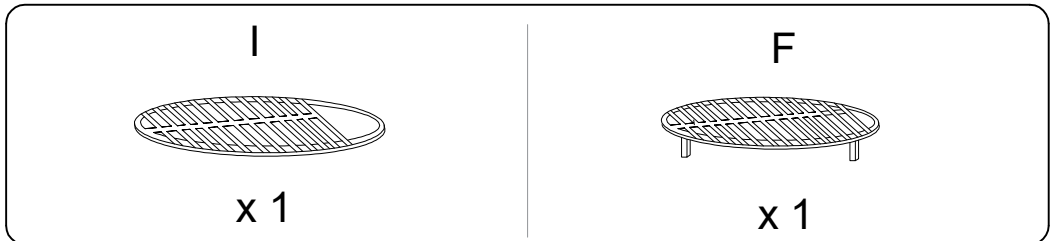
!



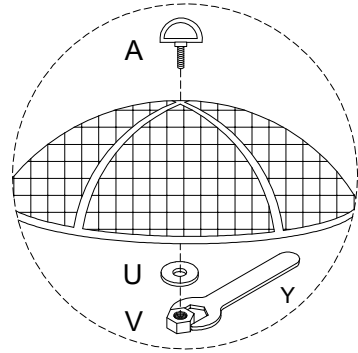
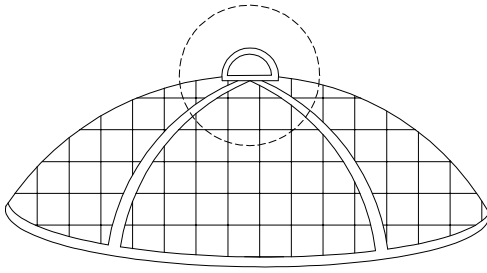
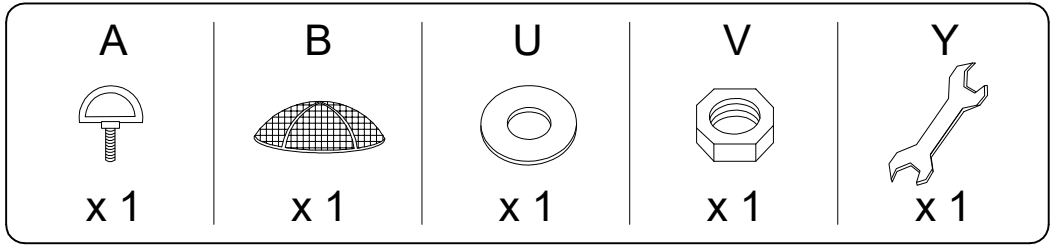
2



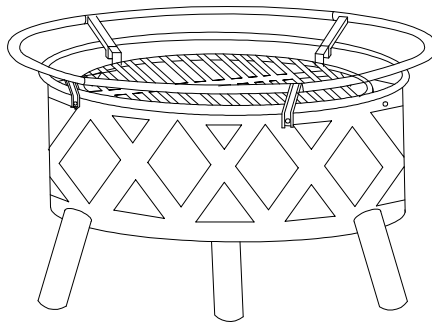
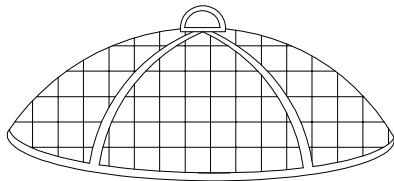
3



4



5



!

