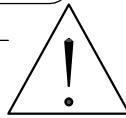
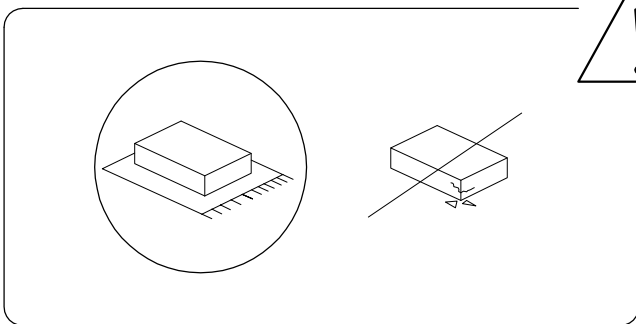
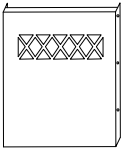
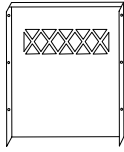




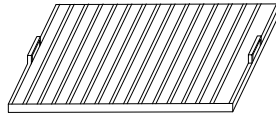


45'

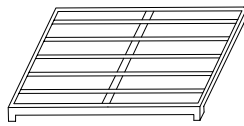


1

A1	A2	B1	B2	C	D
					
x 1	x 1	x 1	x 1	x 1	x 1

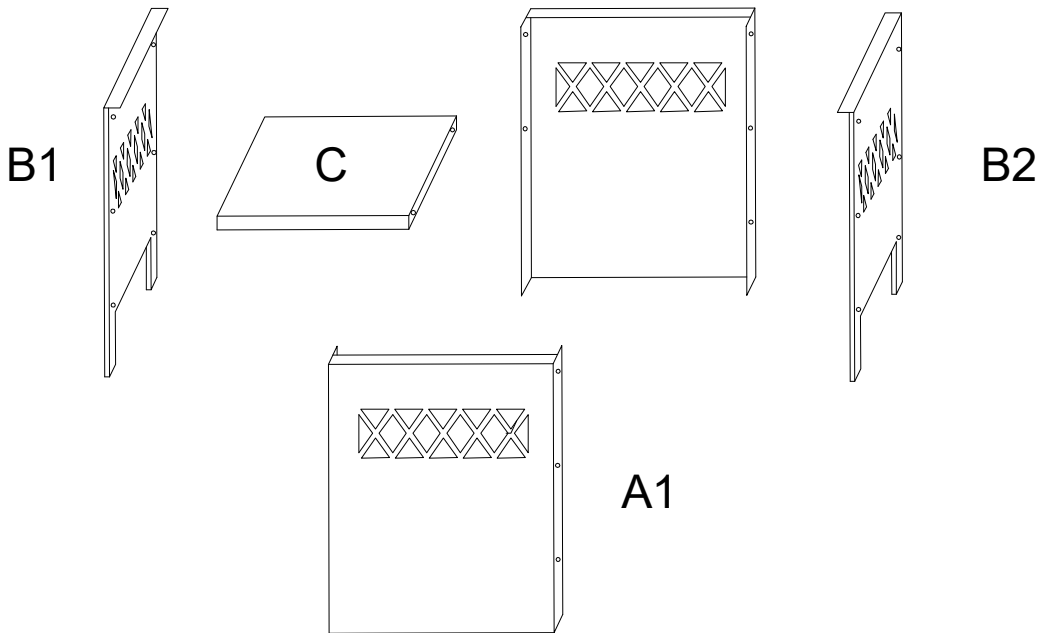


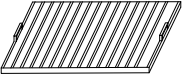
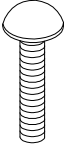
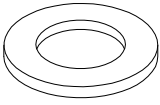
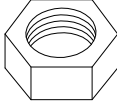
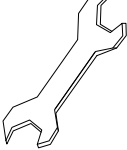
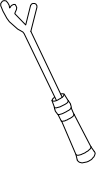
E



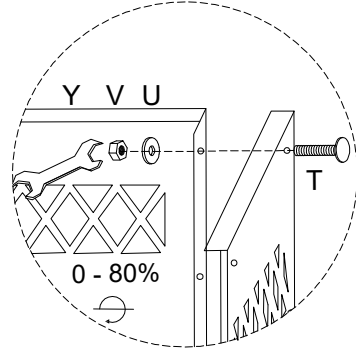
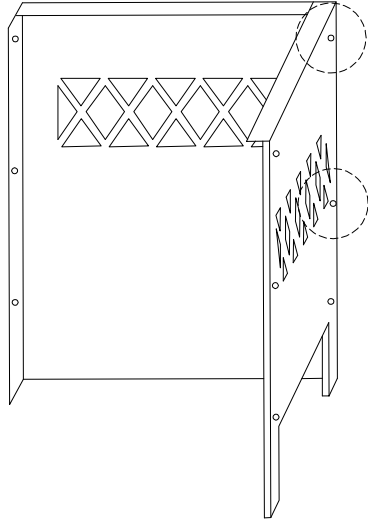
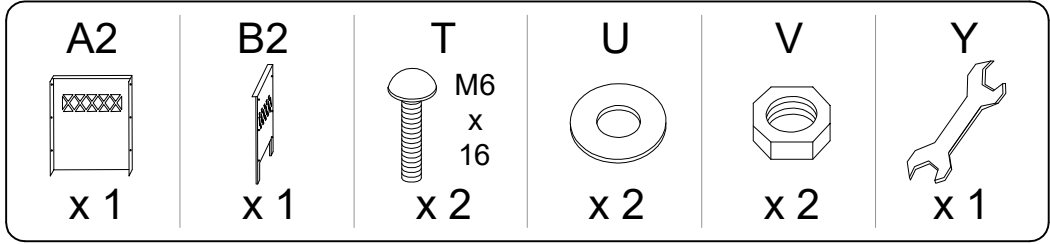
D

A2

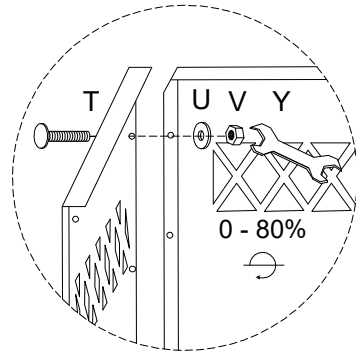
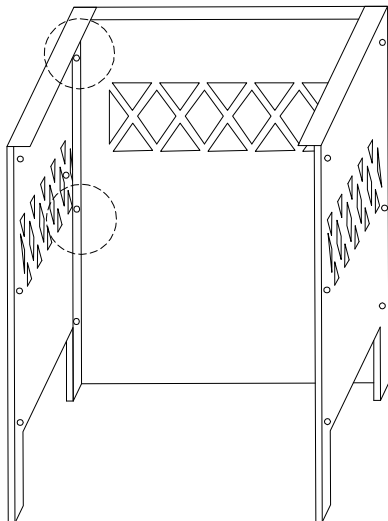
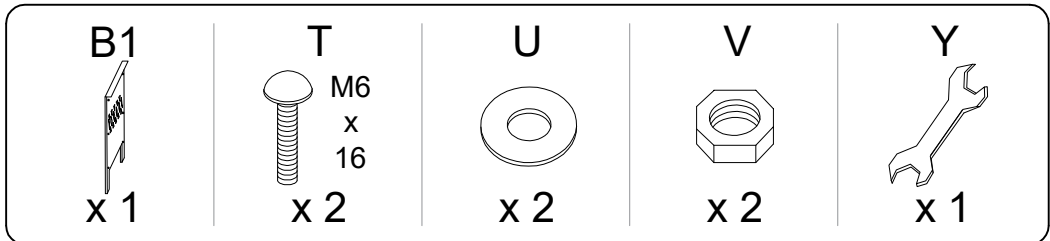


E	T	U	V	Y	Z
	 M6 x 16				
x 1	x 12	x 12	x 12	x 1	x 1

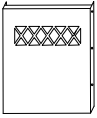
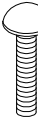
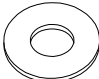
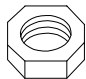
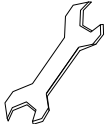
1

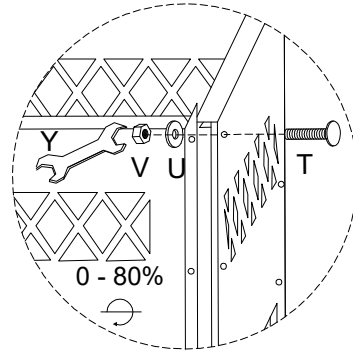
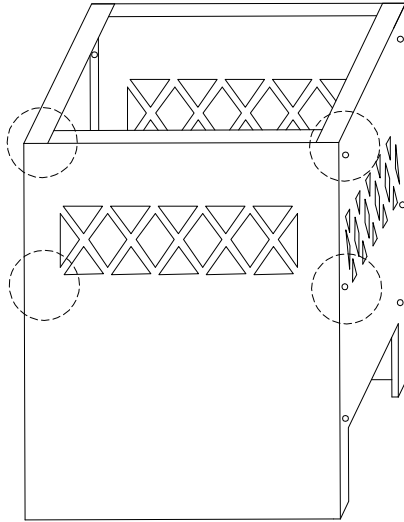


2

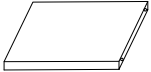
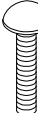


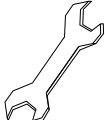


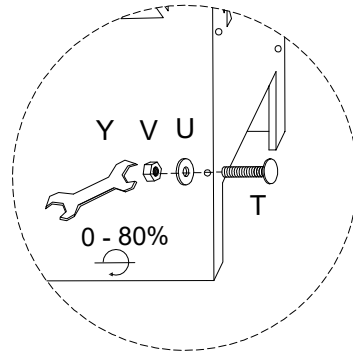
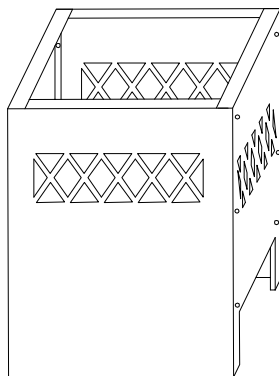
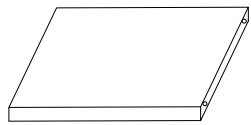
3

A1  x 1	T  M6 x 16 x 4	U  x 4	V  x 4	Y  x 1
---	---	--	--	--



4

C  x 1	T  M6 x 16 x 4	U  x 4	V  x 4	Y  x 1
--	---	--	--	--

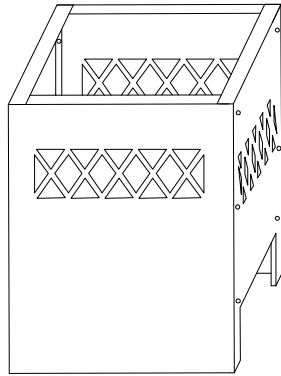


5

D

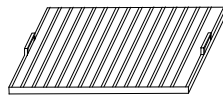


x 1

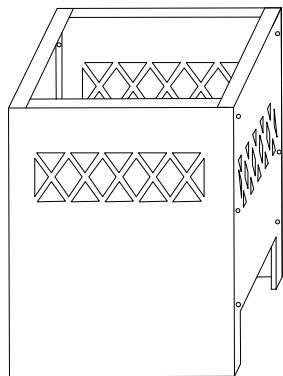
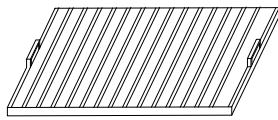


6

E



x 1



!

