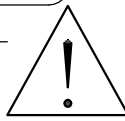
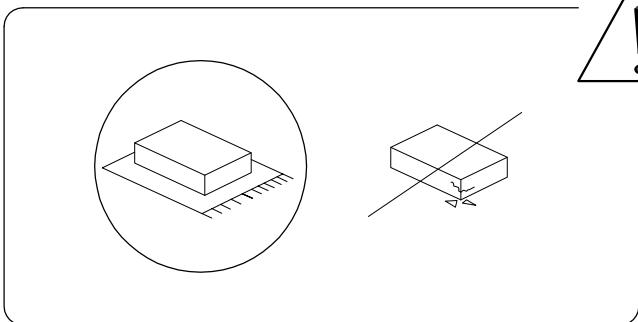


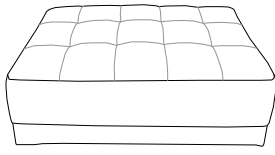
15'



2

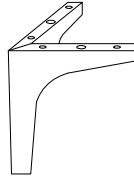
1/3

A



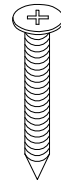
x 1

B



x 4

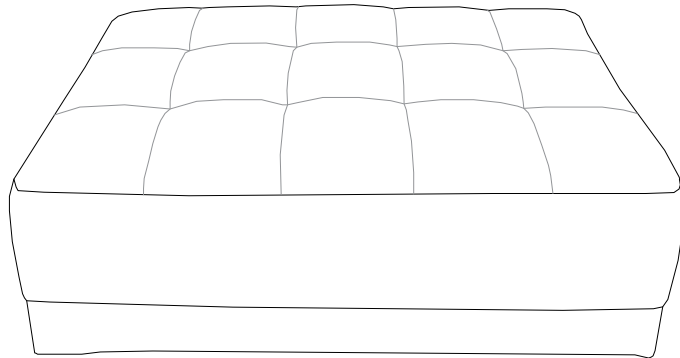
C



5  
x  
25

x 16

A



B x 4

