

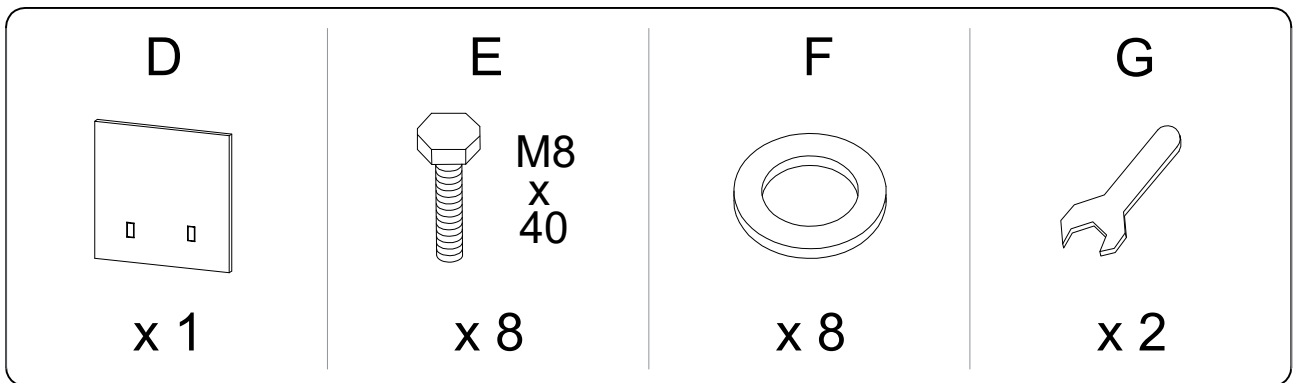
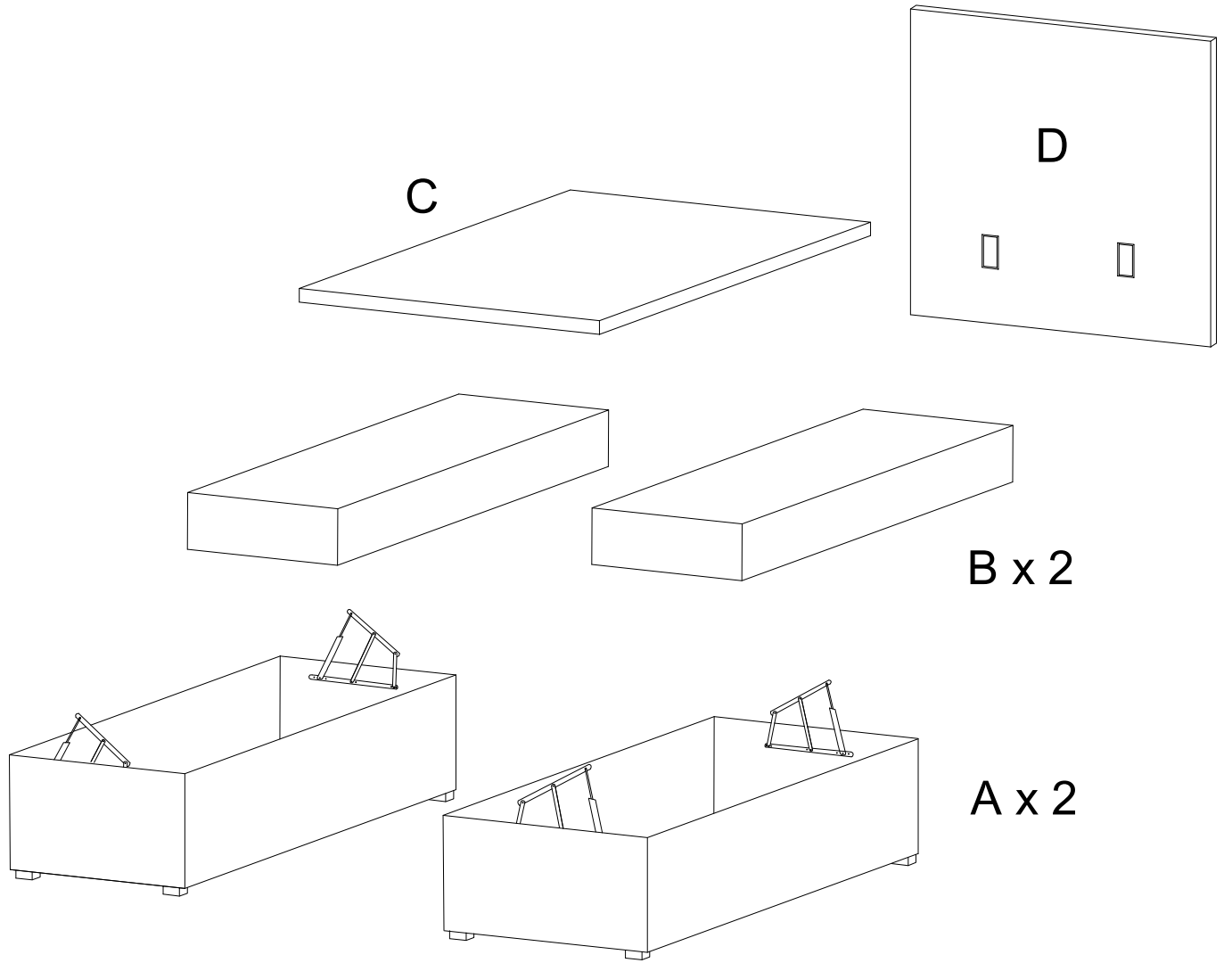
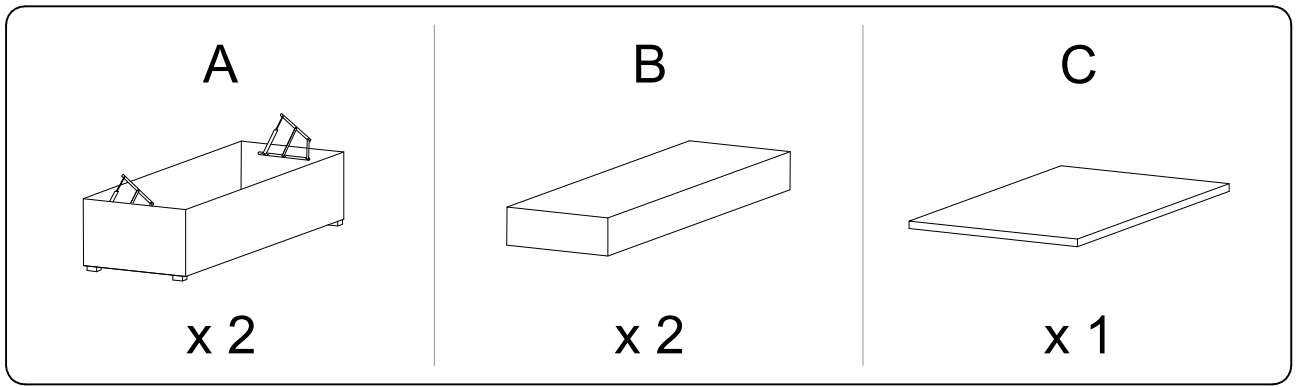
Assembly instructions for the bed, including tool requirements, time, and person count.

**Tools:** A wrench is shown in a circle, and a power drill is shown with a diagonal line through it, indicating it is not required.

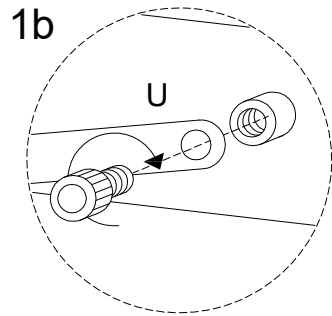
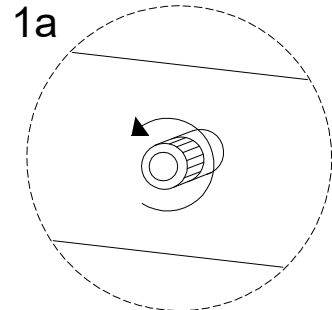
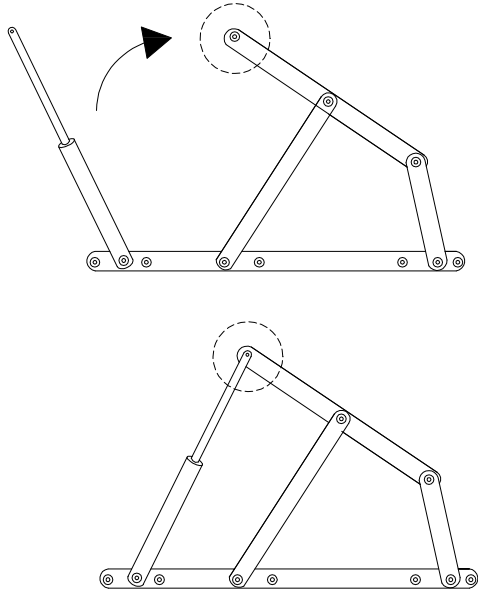
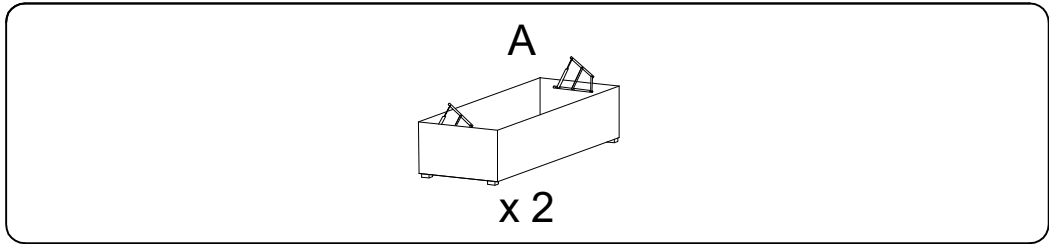
**Warnings:** Two warning triangles (exclamation marks) are present. The first is connected to the tool icons, and the second is connected to the floor icon.

**Time:** A clock icon indicates an estimated assembly time of 30 minutes.

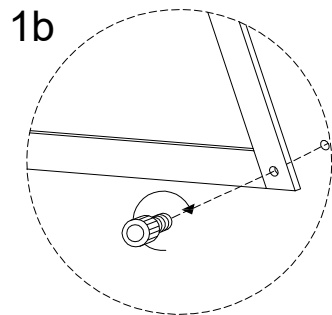
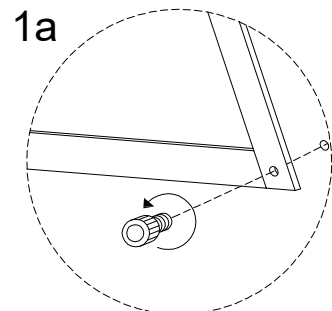
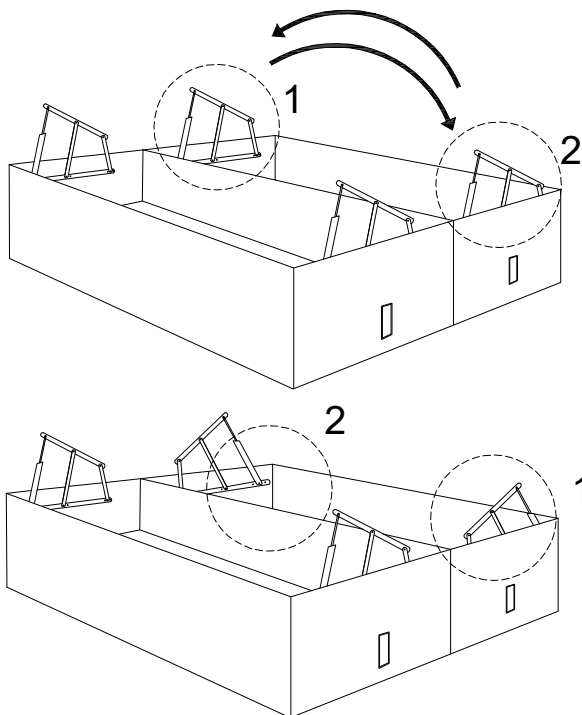
**Person Count:** A person icon and the number 1 indicate that one person is required for assembly.



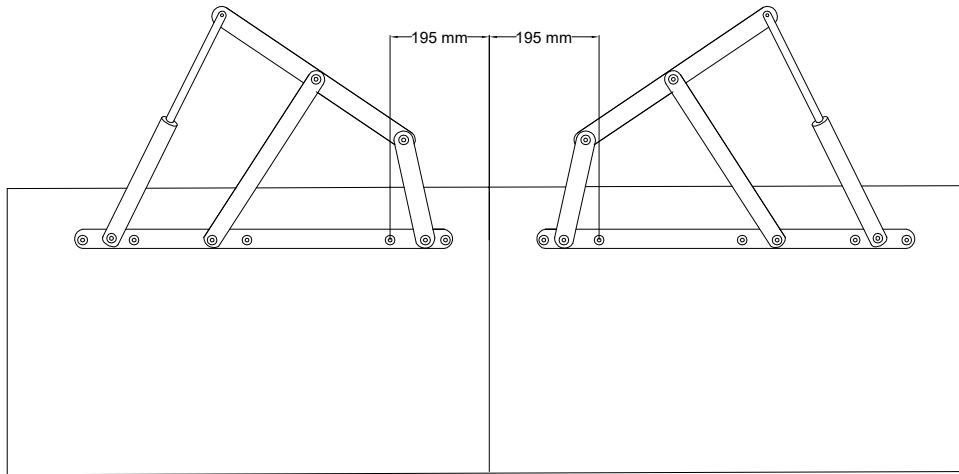
1



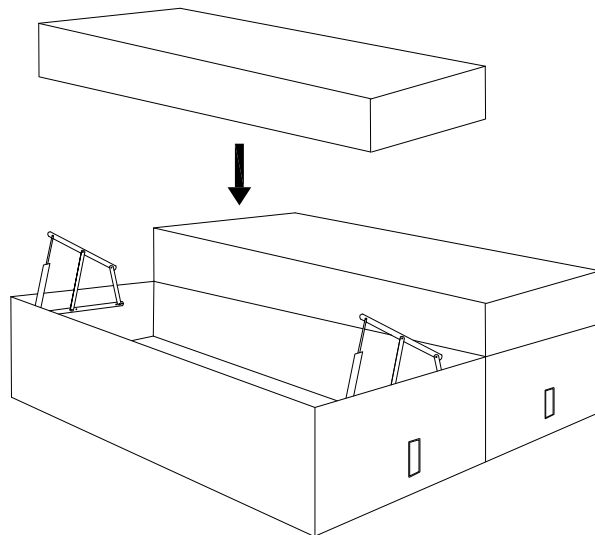
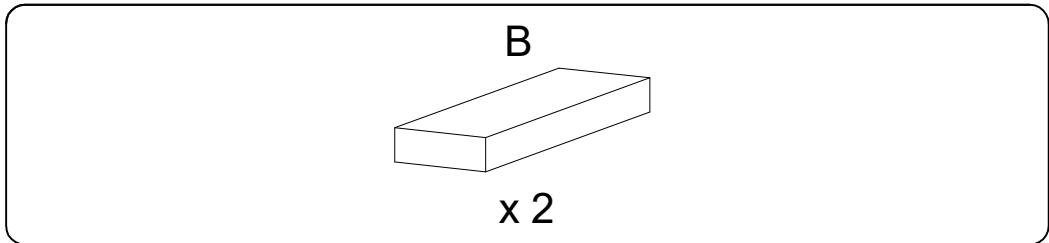
2



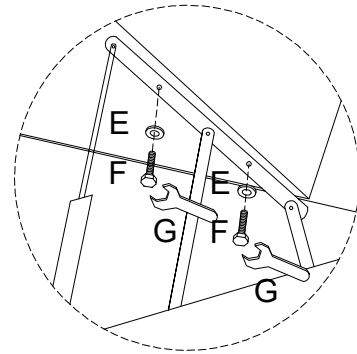
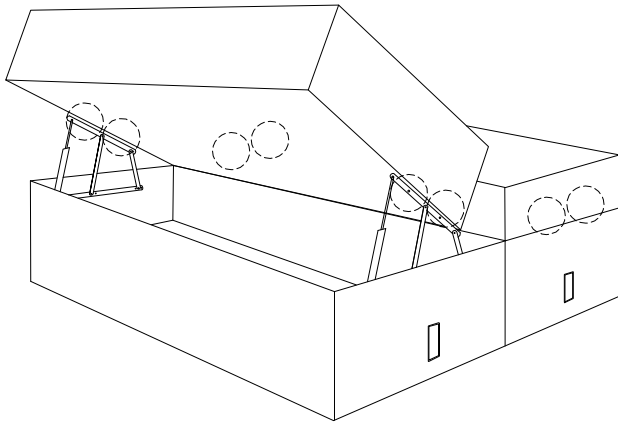
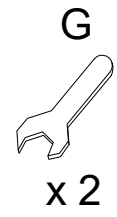
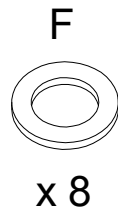
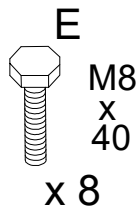
!



3

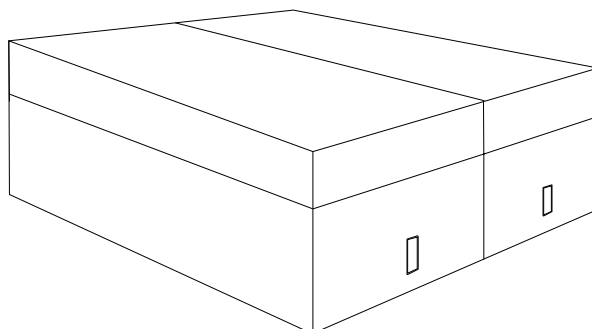
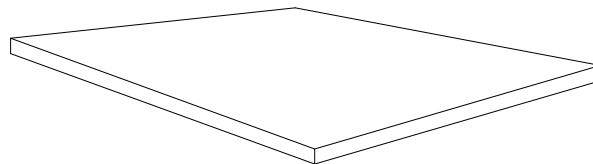
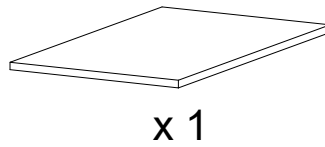


4



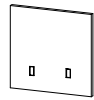
5

C



6

D



x 1

