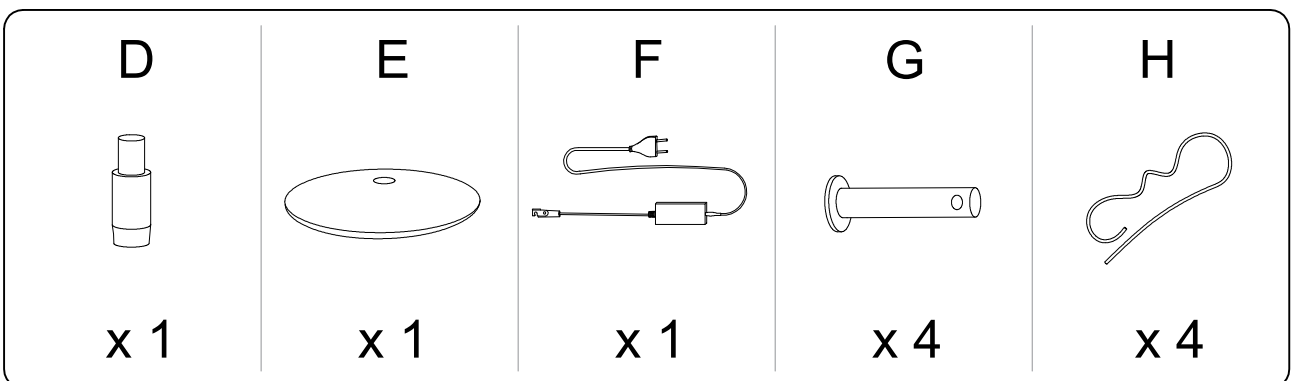
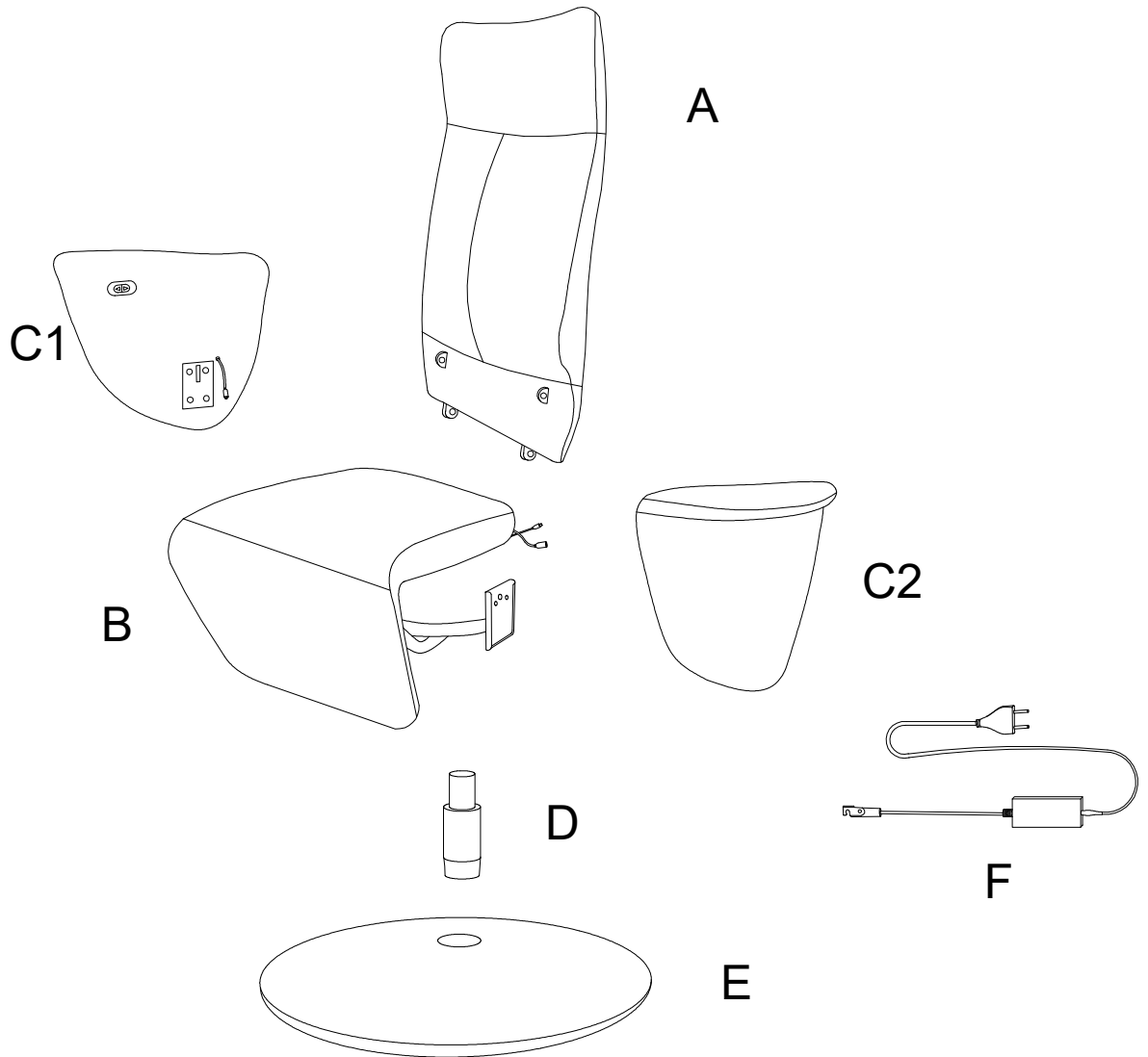
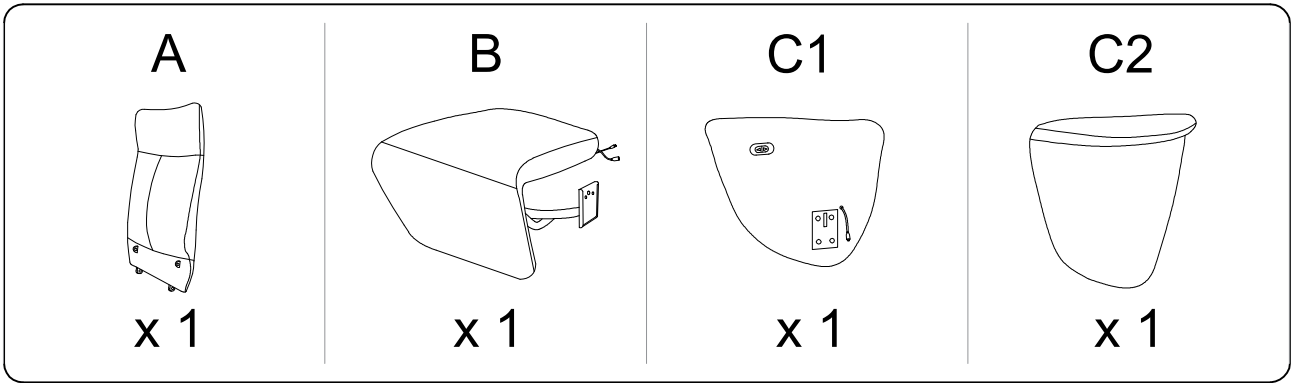


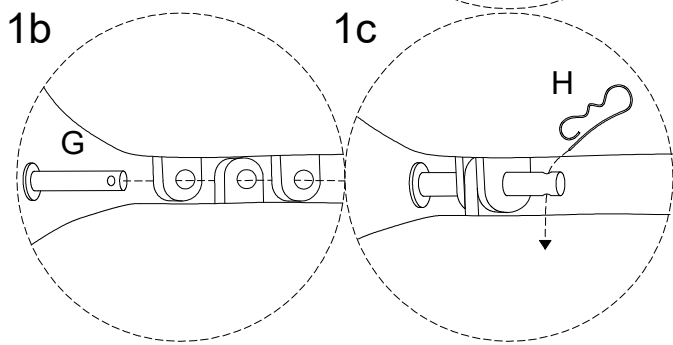
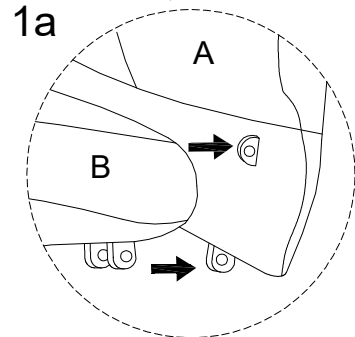
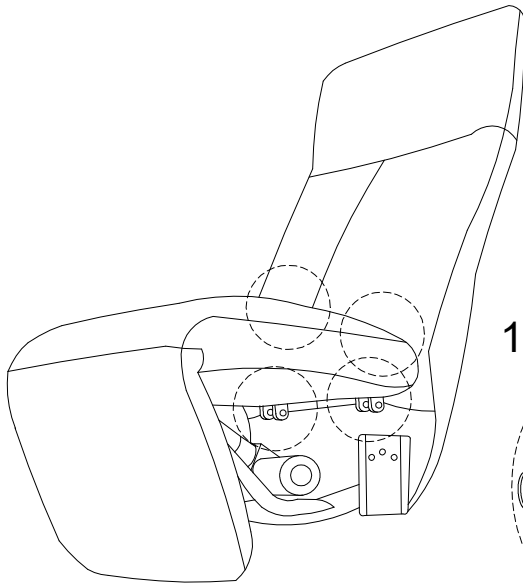
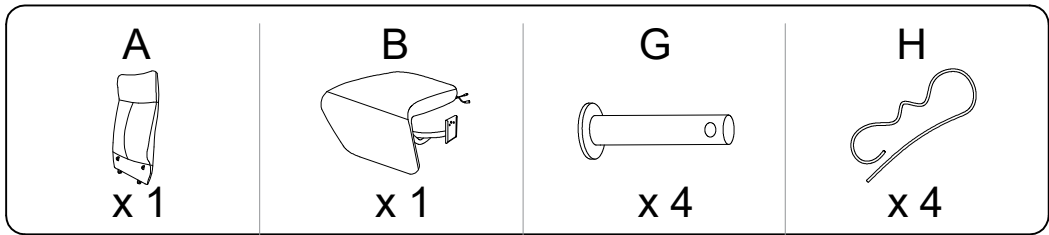
30'



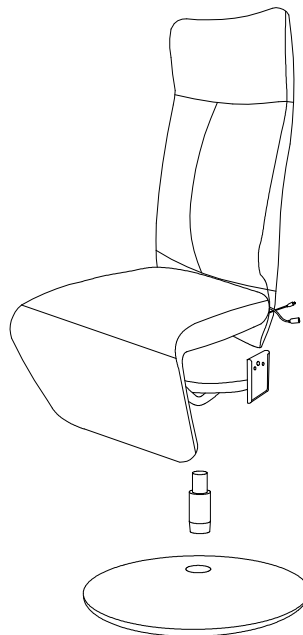
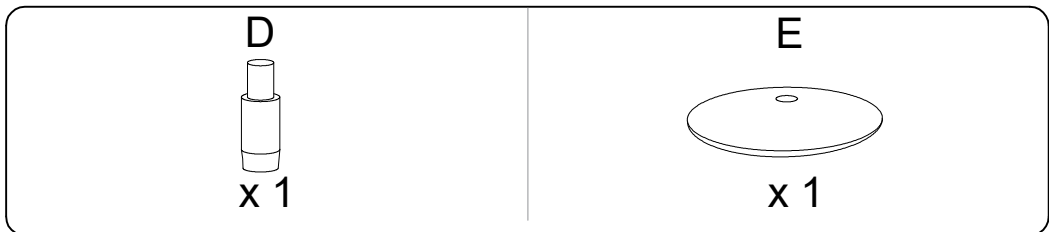
1



1



2



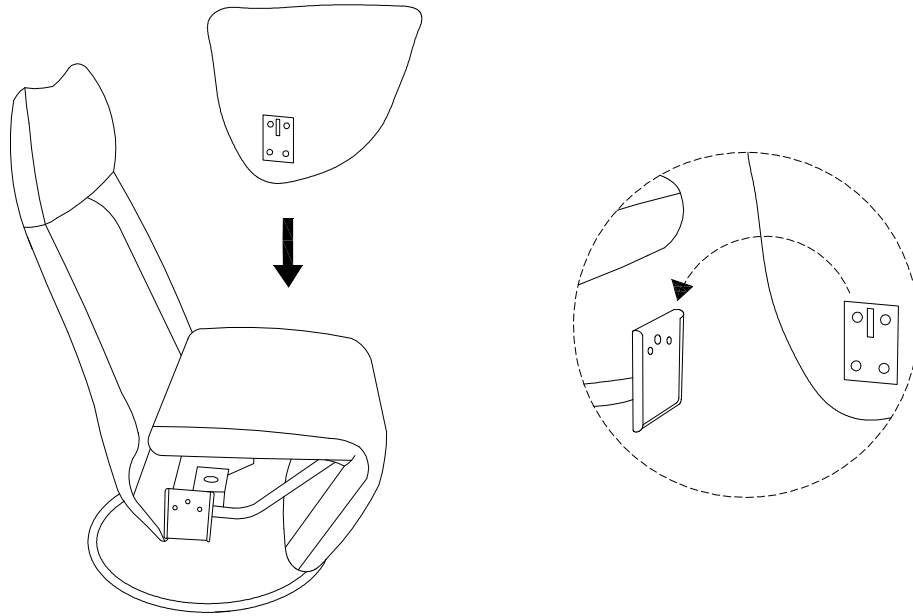
D  
E

3

C2



x 1

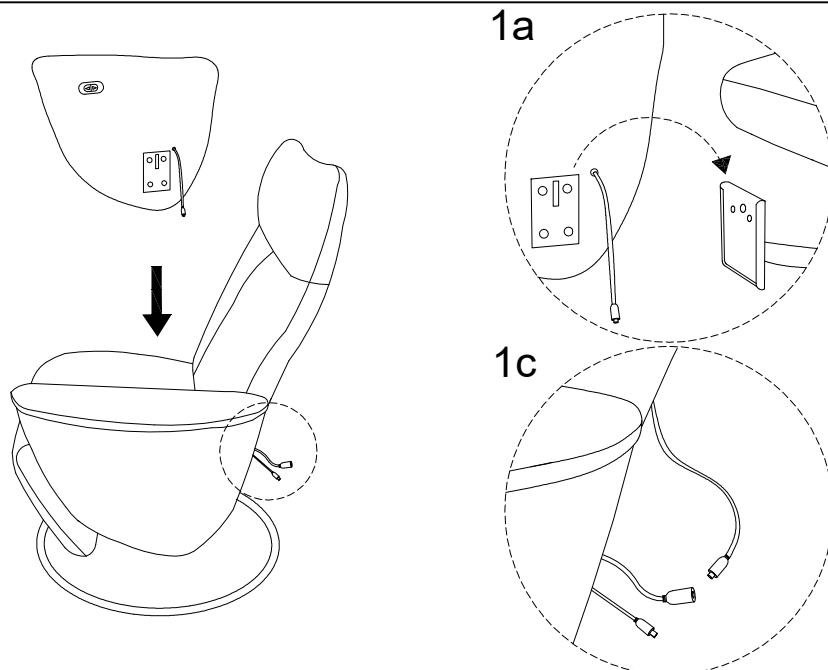


4

C1



x 1



5

