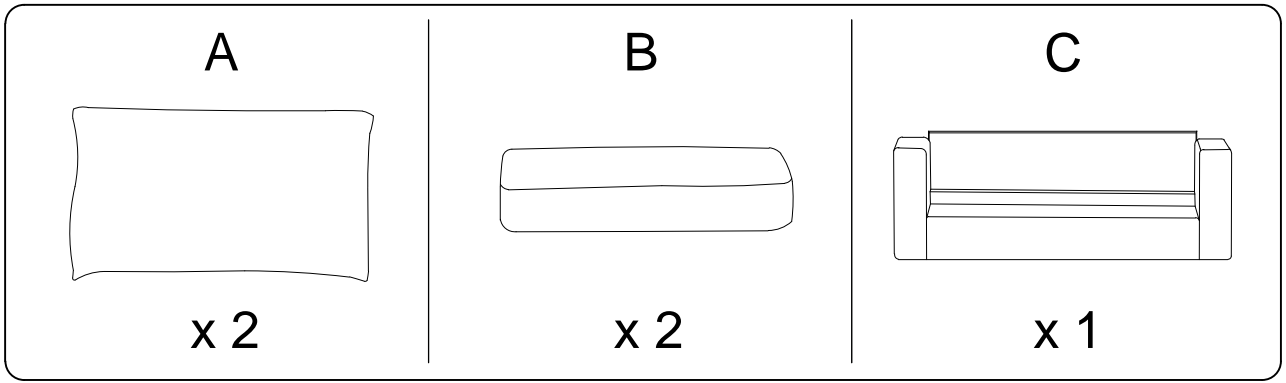


Assembly instructions for the first step:

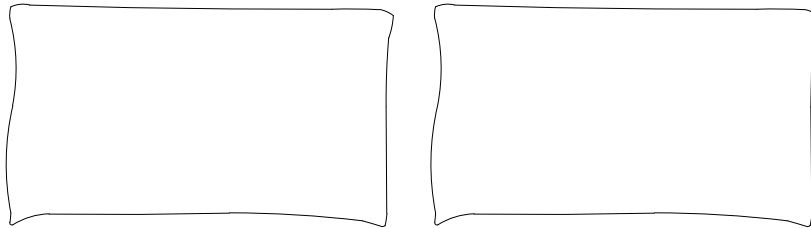
- Tools: A screwdriver (shown in a circle) and a power drill (shown with a diagonal line through it, indicating it is not to be used).
- Warning: A triangle with an exclamation mark.
- Duration: A clock icon followed by the text "15'".

Assembly instructions for the second step:

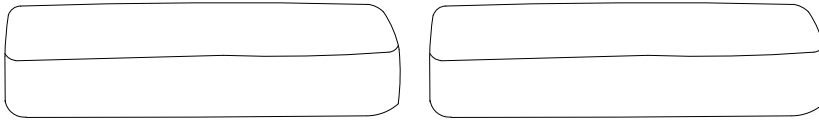
- Tools: A block of foam or padding (shown in a circle) and a pair of scissors (shown with a diagonal line through it, indicating they are not to be used).
- Warning: A triangle with an exclamation mark.
- Personnel: A stick figure icon followed by the number "1".



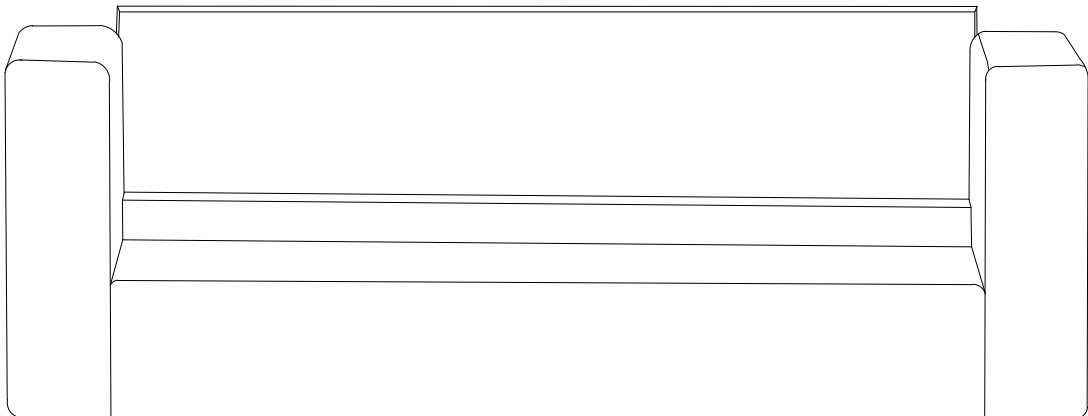
**A x 2**



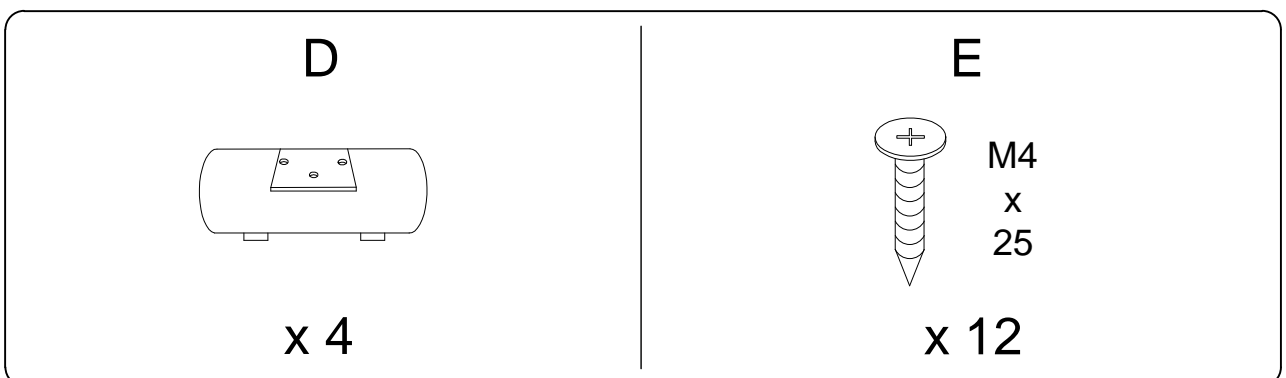
**B x 2**



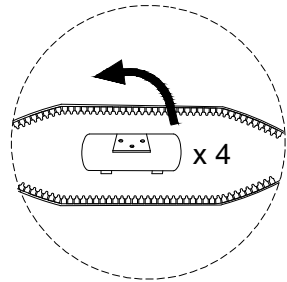
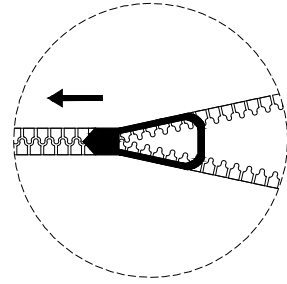
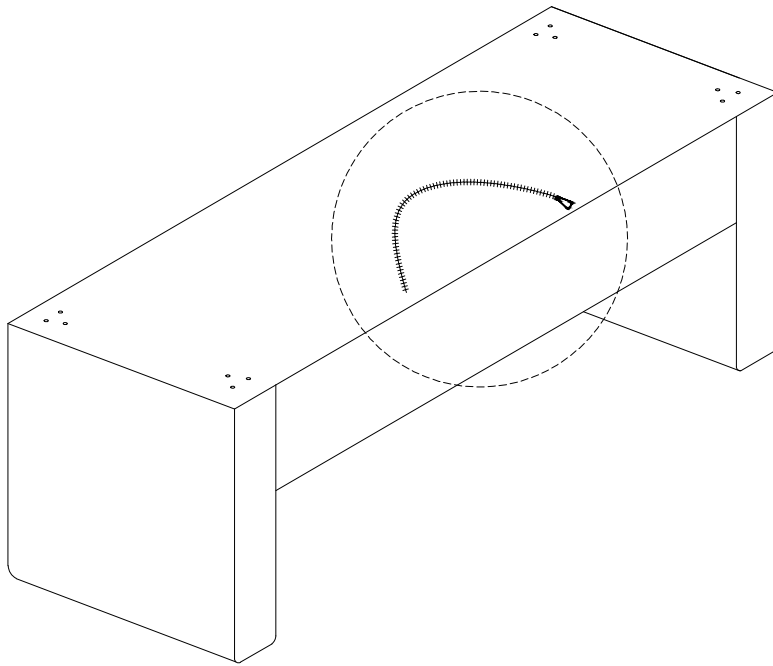
**C**



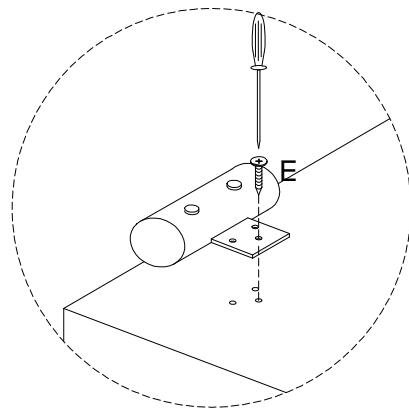
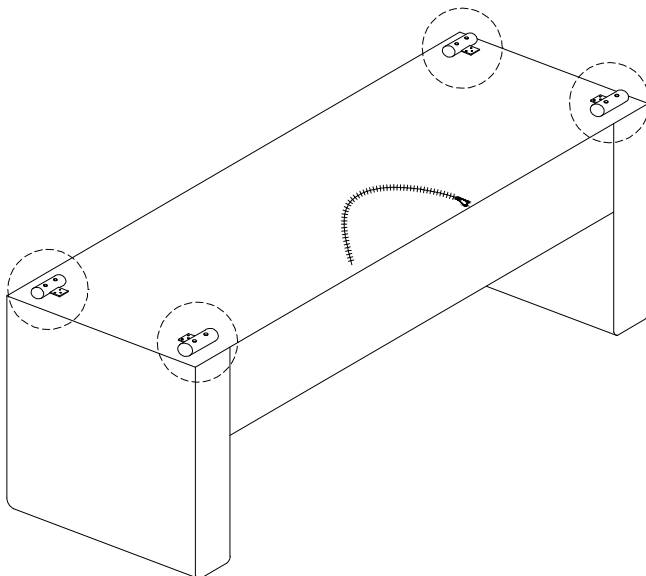
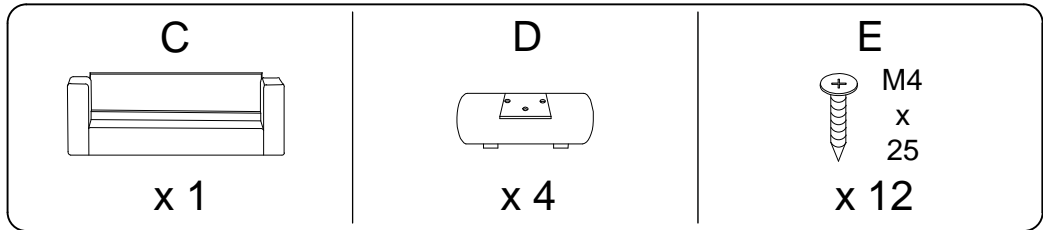
**D x 4**



1



2



3

