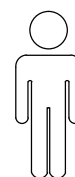
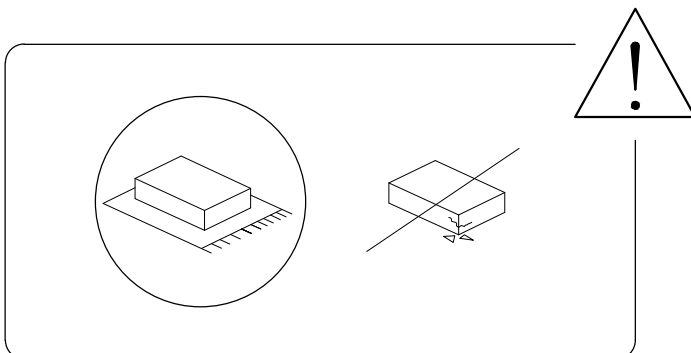
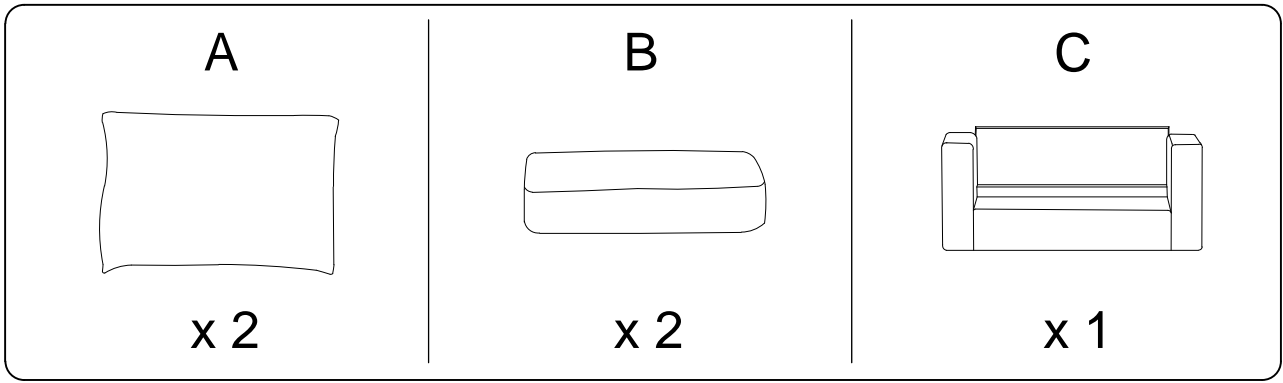


15'

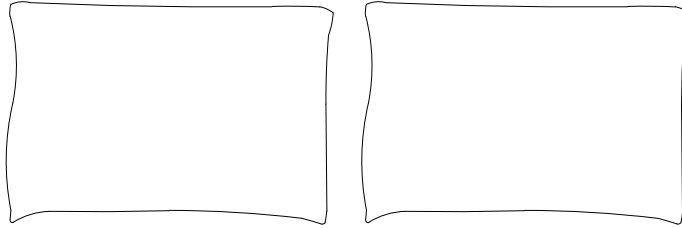


1

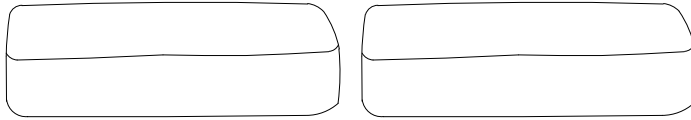
1/4



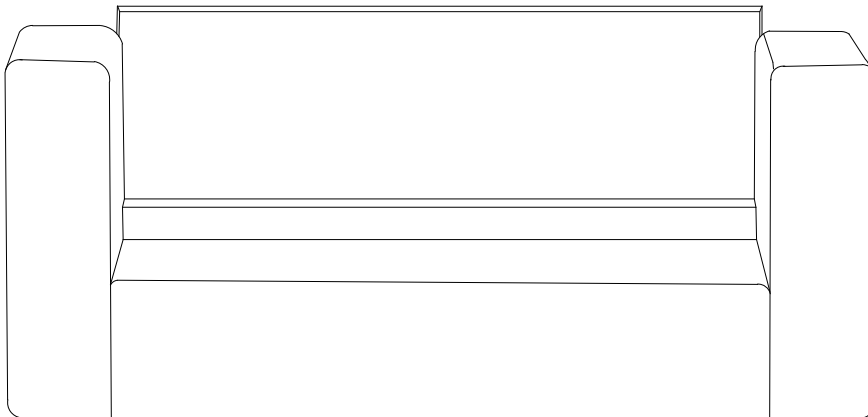
A x 2



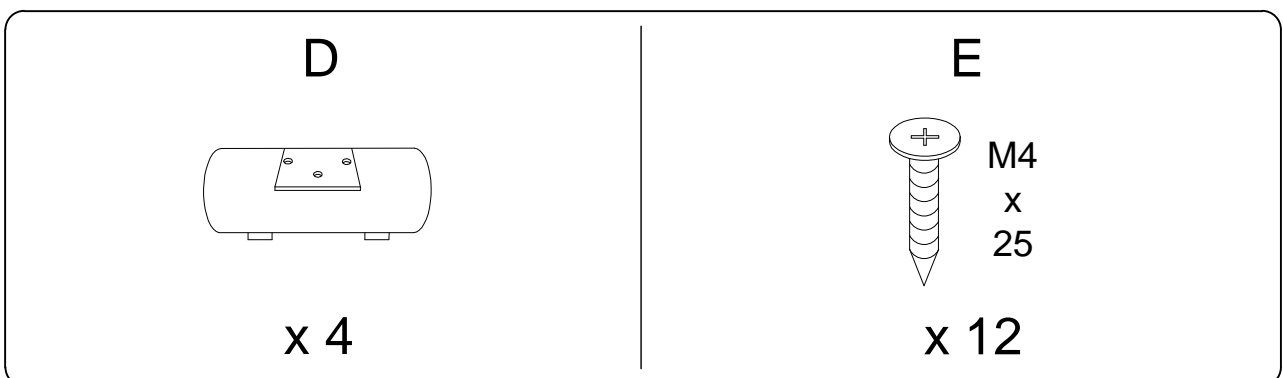
B x 2



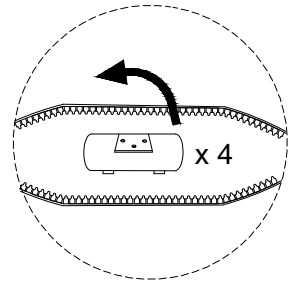
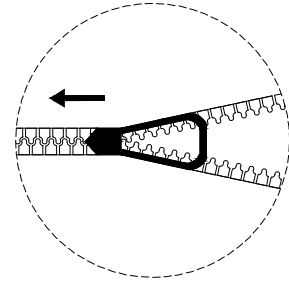
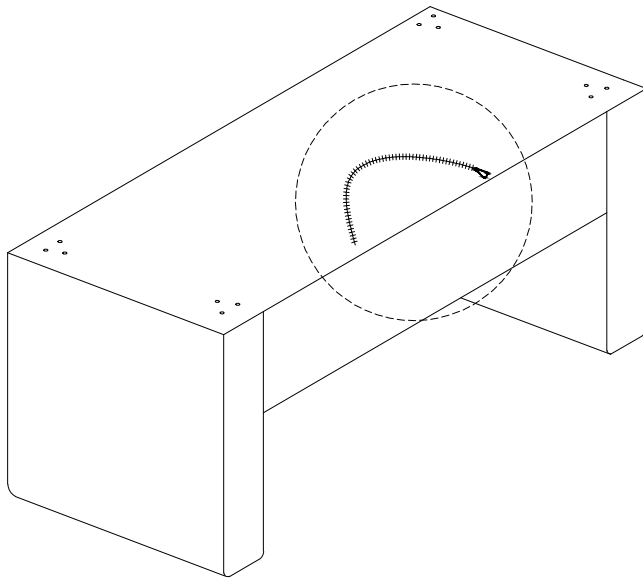
C



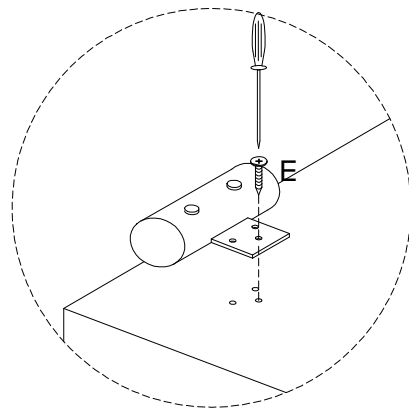
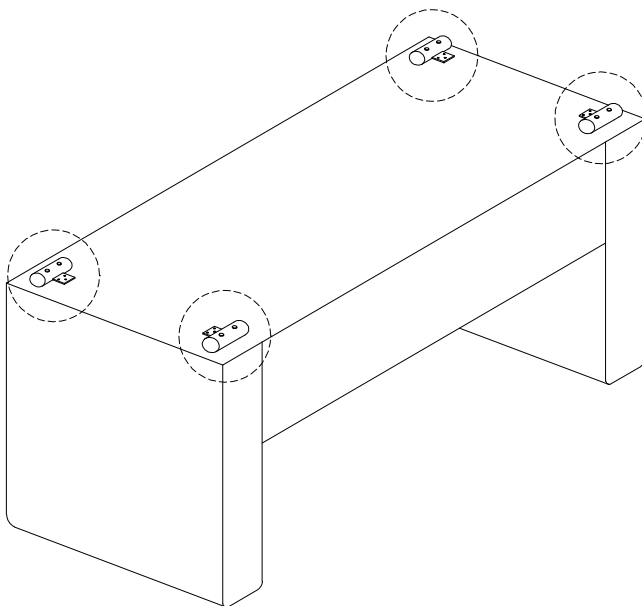
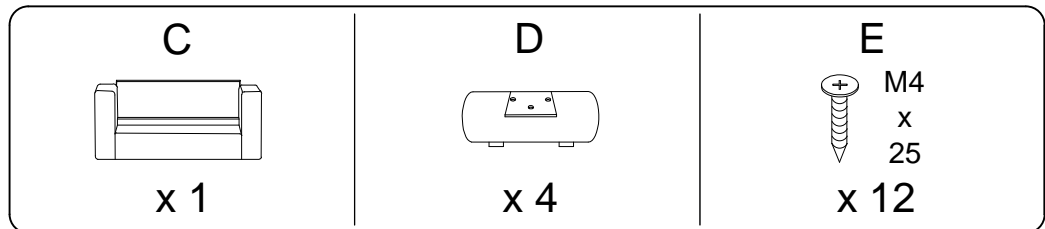
D x 4



1



2



3

