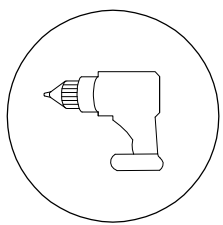

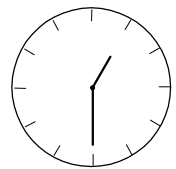
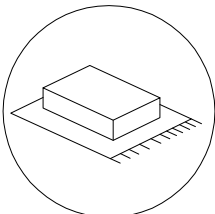
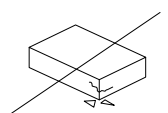
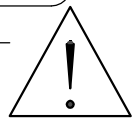

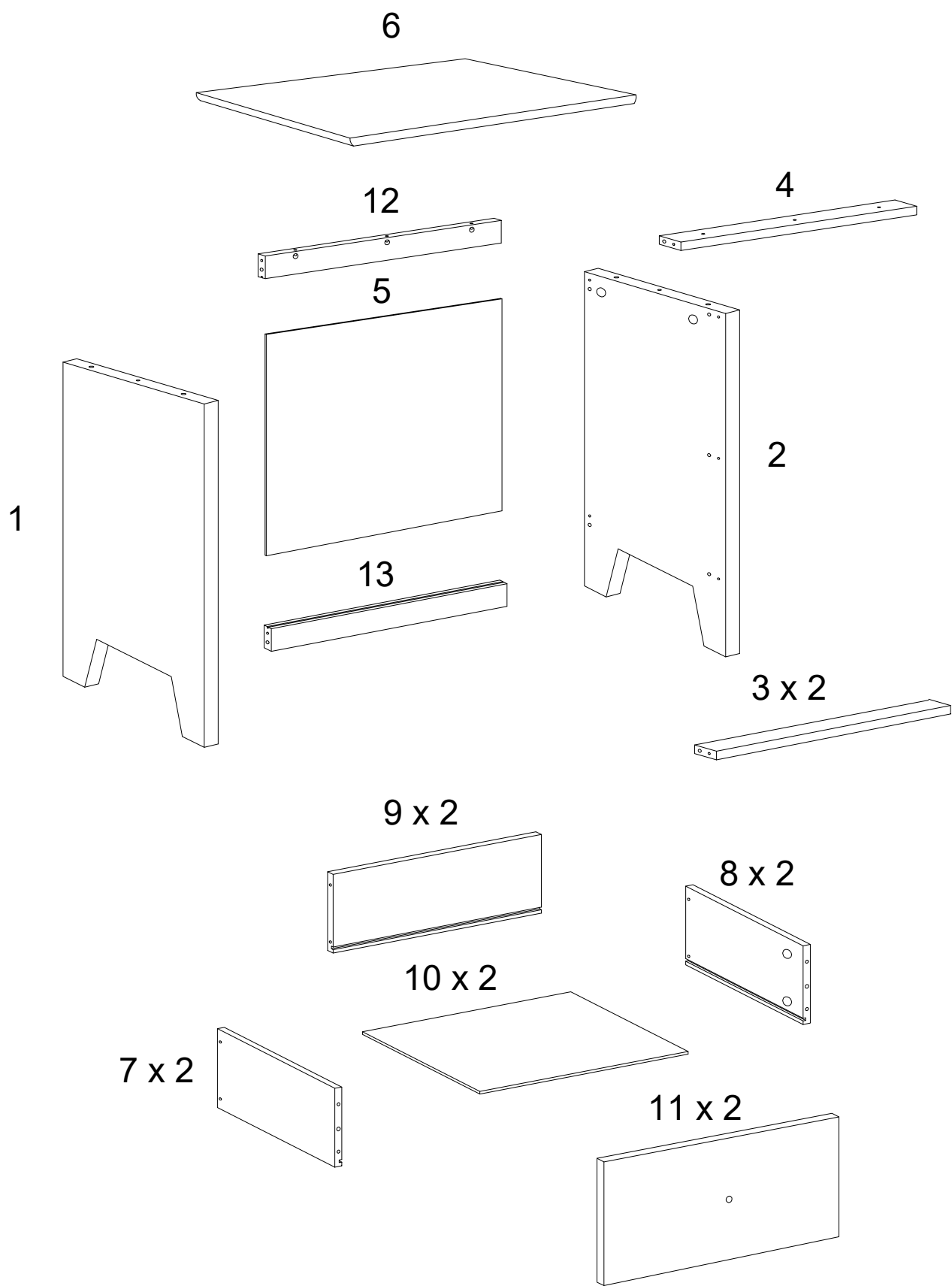
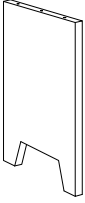
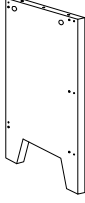


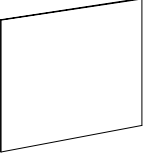

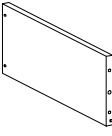
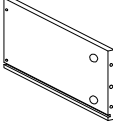
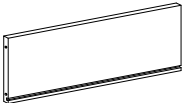

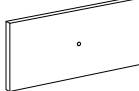




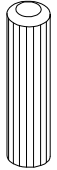

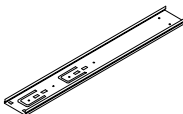
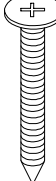
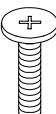

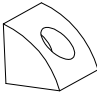
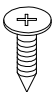
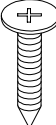


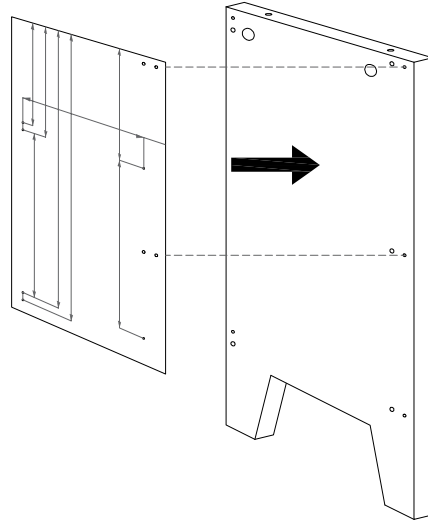
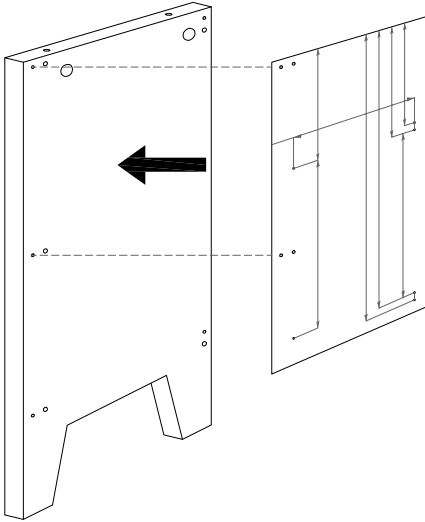
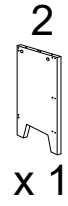
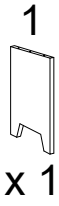
Assembly instructions for step 1/10:

-  A power drill icon inside a circle, indicating that a power drill is required for this step.
-  A warning triangle icon with an exclamation mark, indicating a safety warning.
-  A clock icon showing approximately 1:30, indicating a 90-minute estimated assembly time.
- 90'**
-  An icon showing a rectangular block being placed on a surface with a hatched pattern, indicating the correct placement.
-  An icon showing a rectangular block being placed on a surface with a diagonal line through it, indicating an incorrect placement.
-  A warning triangle icon with an exclamation mark, indicating a safety warning.
-  An icon of a person, indicating that one person is required for this step.
- 1**

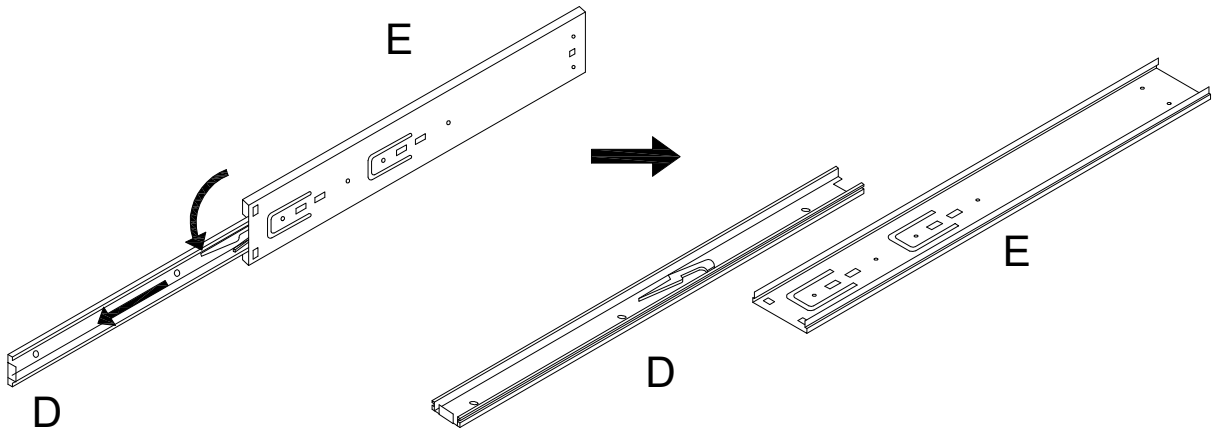
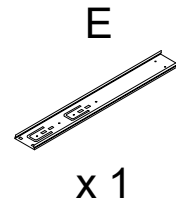
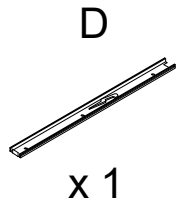


<p>1</p>  <p>x 1</p>	<p>2</p>  <p>x 1</p>	<p>3</p>  <p>x 2</p>	<p>4</p>  <p>x 1</p>	
<p>5</p>  <p>x 1</p>	<p>6</p>  <p>x 1</p>	<p>7</p>  <p>x 2</p>	<p>8</p>  <p>x 2</p>	<p>9</p>  <p>x 2</p>
<p>10</p>  <p>x 2</p>	<p>11</p>  <p>x 2</p>	<p>12</p>  <p>x 1</p>	<p>13</p>  <p>x 1</p>	<p>A</p>  <p>x 22</p>
<p>B</p>  <p>x 22</p>	<p>C</p>  <p>Ø8 x 30</p> <p>x 16</p>	<p>D</p>  <p>x 4</p>	<p>E</p>  <p>x 4</p>	<p>F</p>  <p>4 x 30</p> <p>x 8</p>
<p>G</p>  <p>M4 x 25</p> <p>x 2</p>	<p>H</p>  <p>x 2</p>	<p>I</p>  <p>x 4</p>	<p>J</p>  <p>3 x 15</p> <p>x 28</p>	<p>K</p>  <p>4 x 25</p> <p>x 6</p>

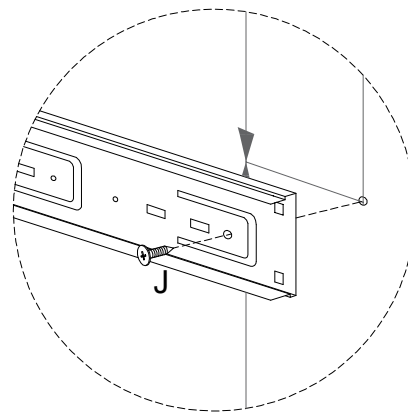
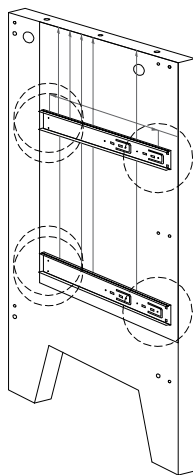
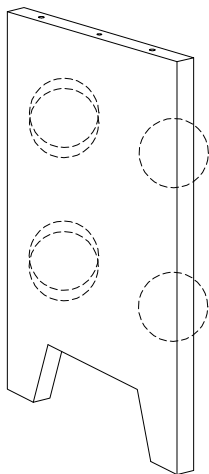
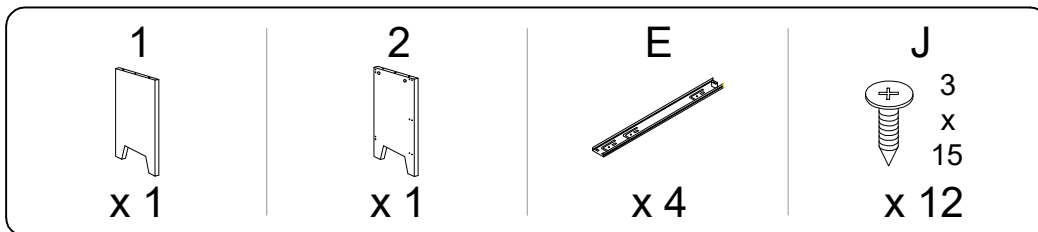
!



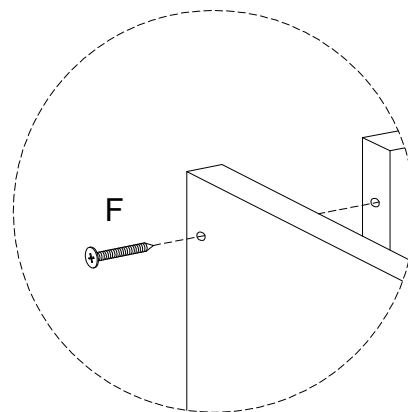
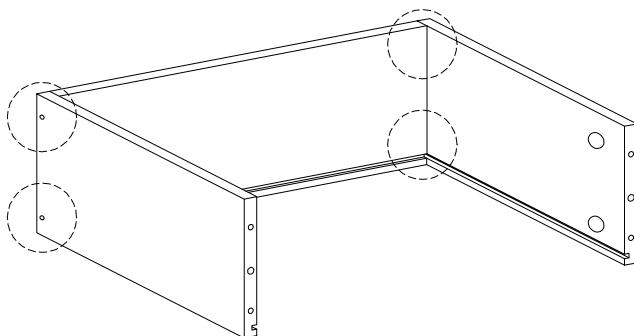
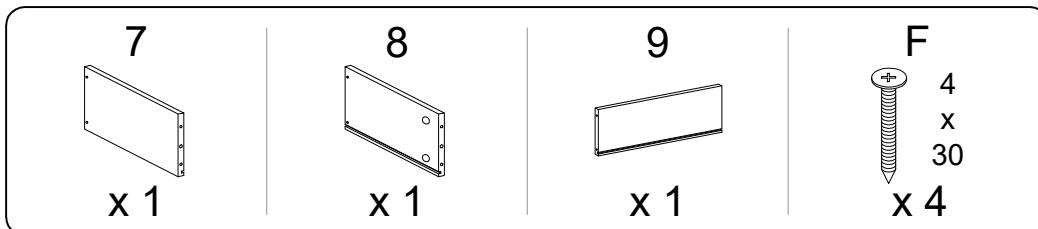
1 x 4



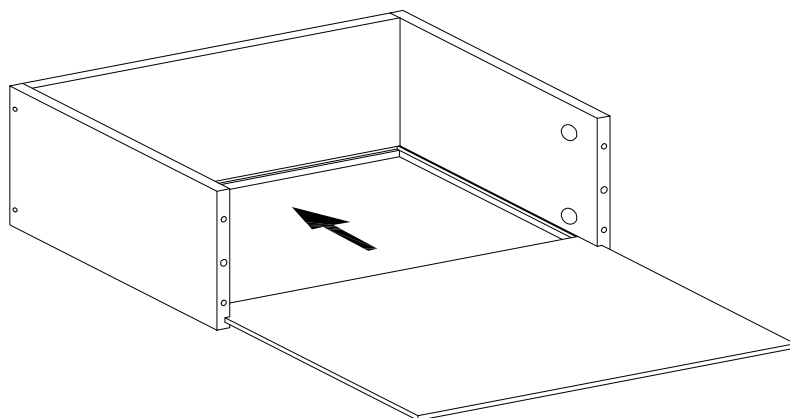
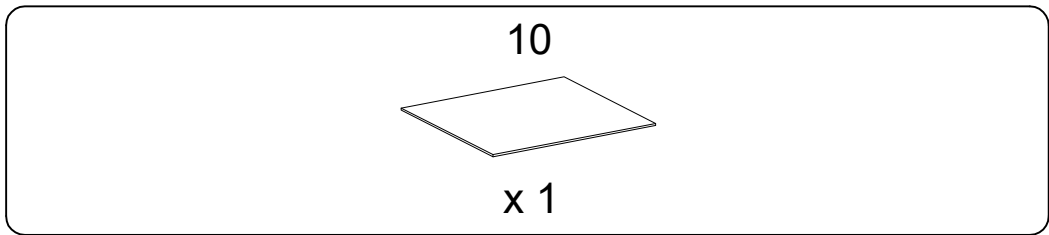
2



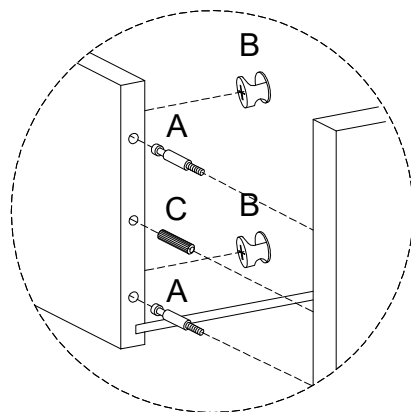
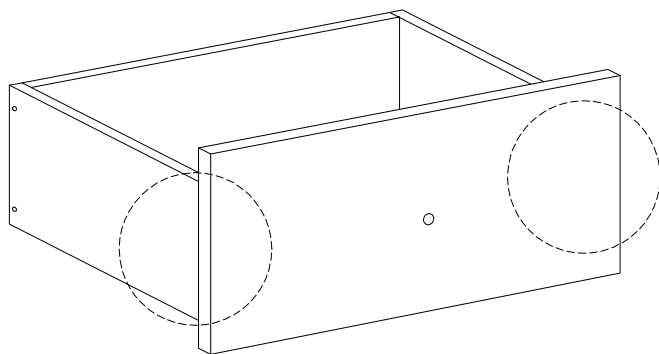
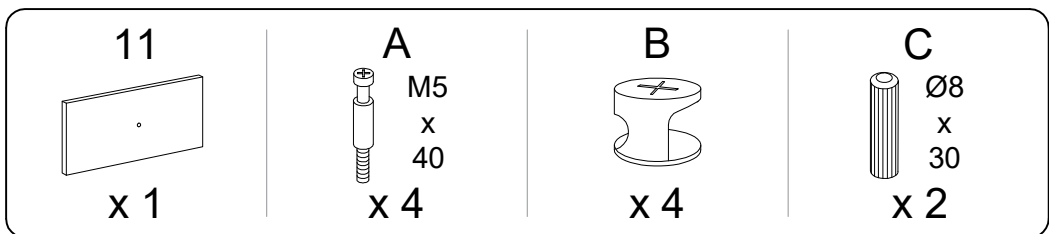
3 x 2



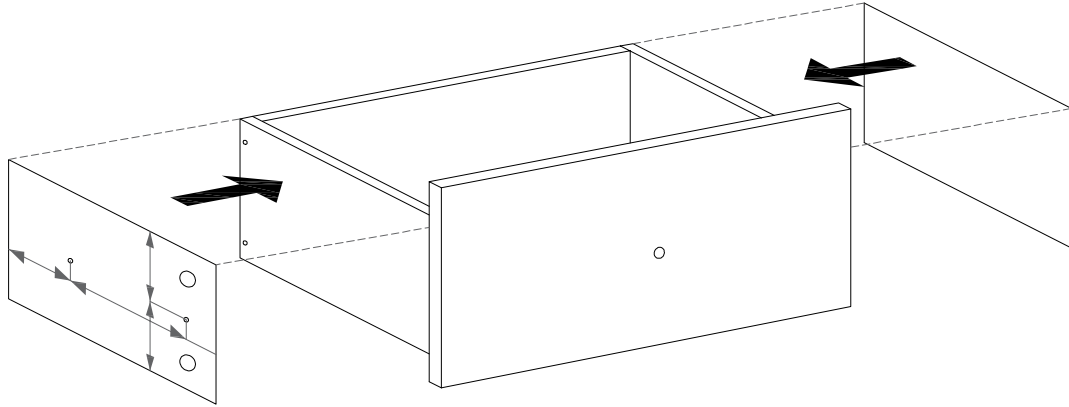
4 x 2



5 x 2



!



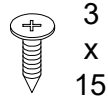
6 x 2

D



x 2

J



3
x
15
x 4

G

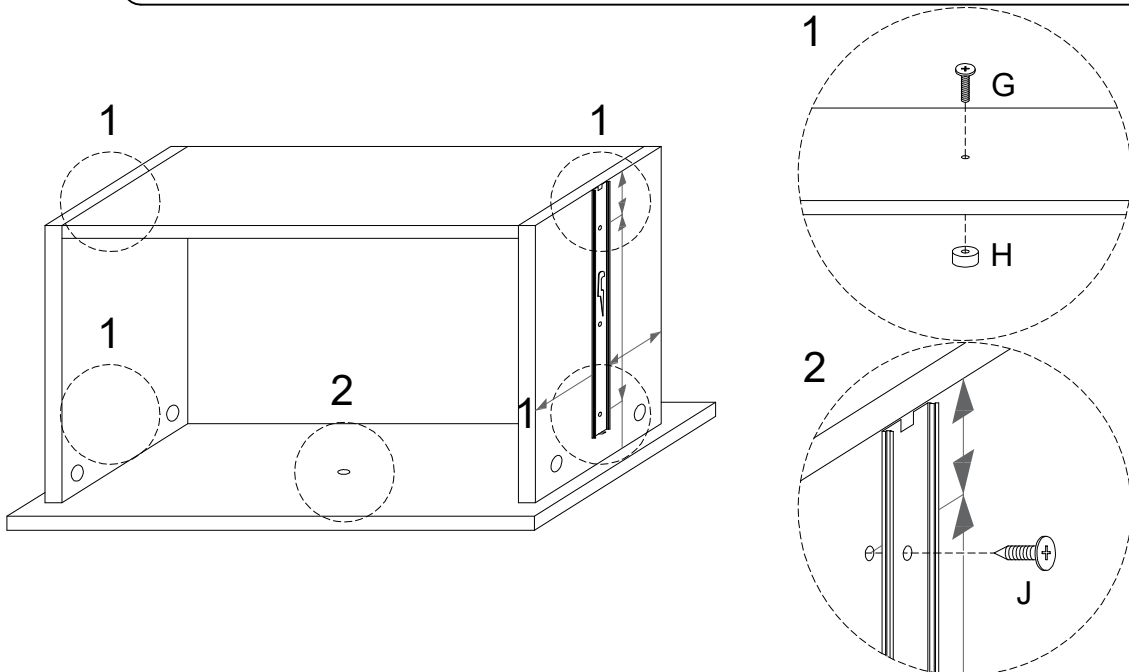


M4
x
25
x 1

H

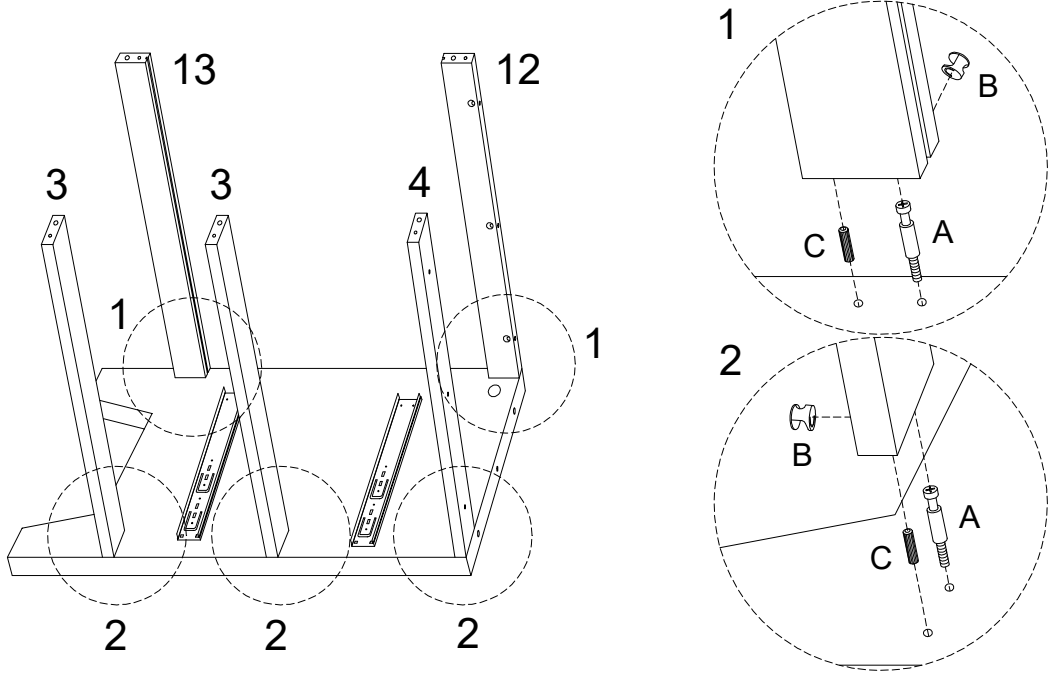


x 1

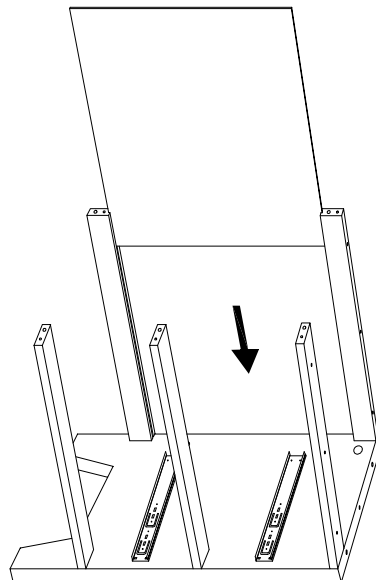
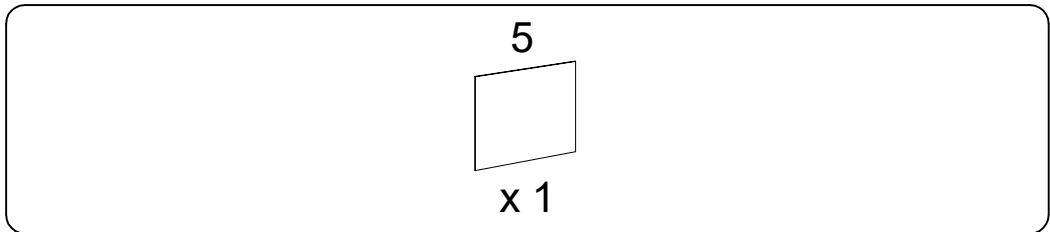


7

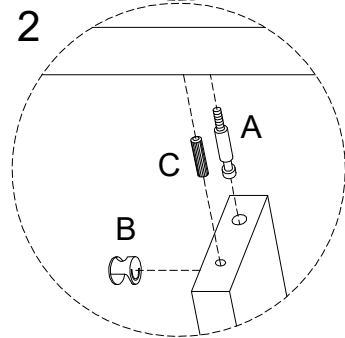
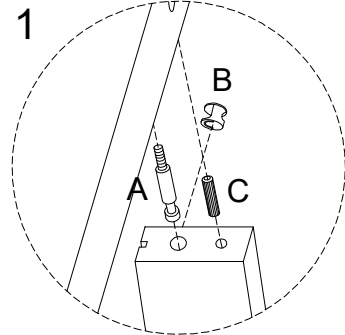
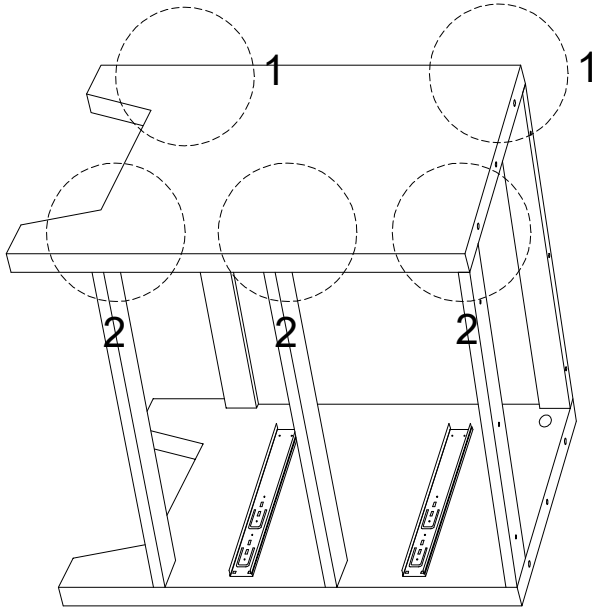
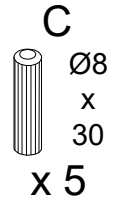
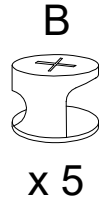
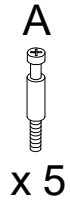
3	4	12	13	A	B	C
x 2	x 1	x 1	x 1	x 5	x 5	Ø8 x 30 x 5



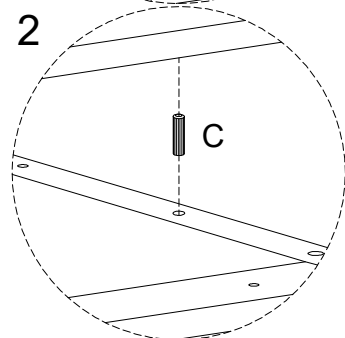
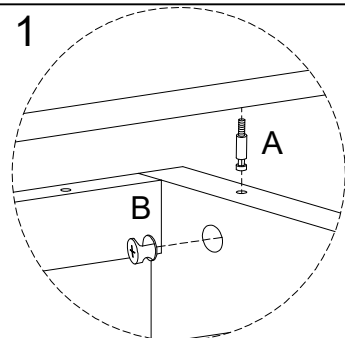
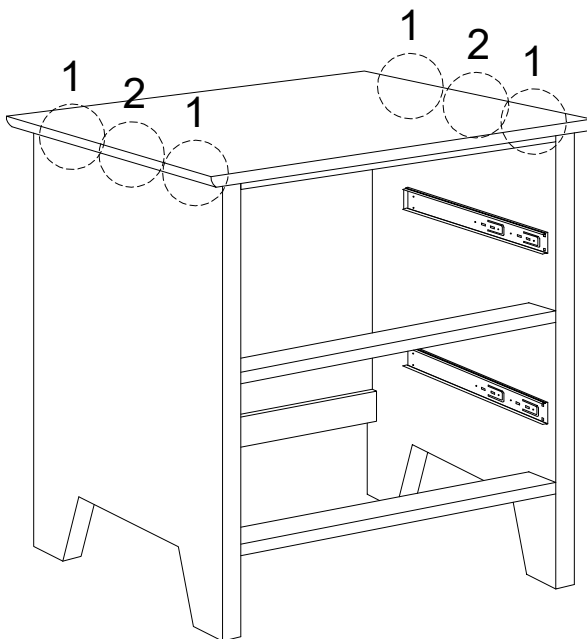
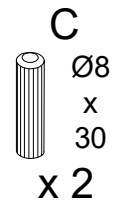
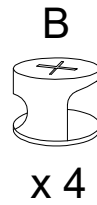
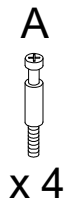
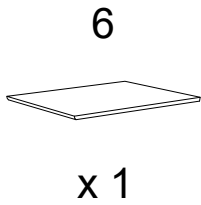
8



9

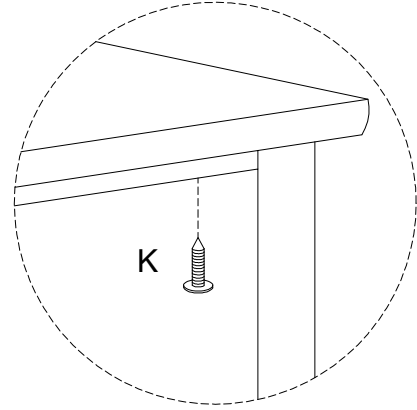
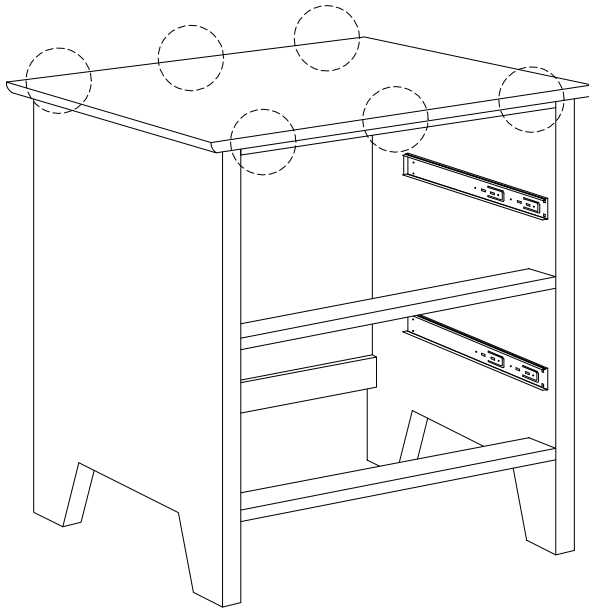
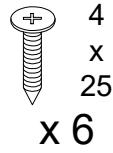


10



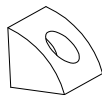
11

K



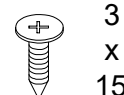
12

I



x 4

J



x 4

