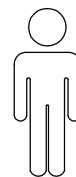
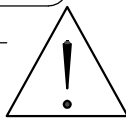
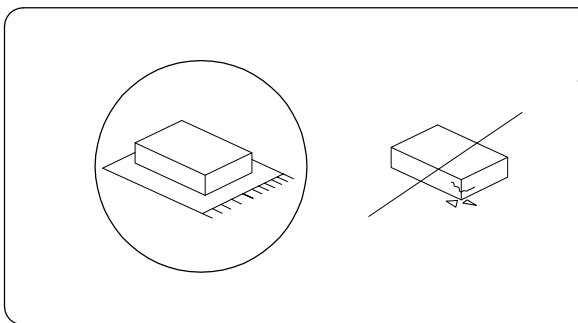
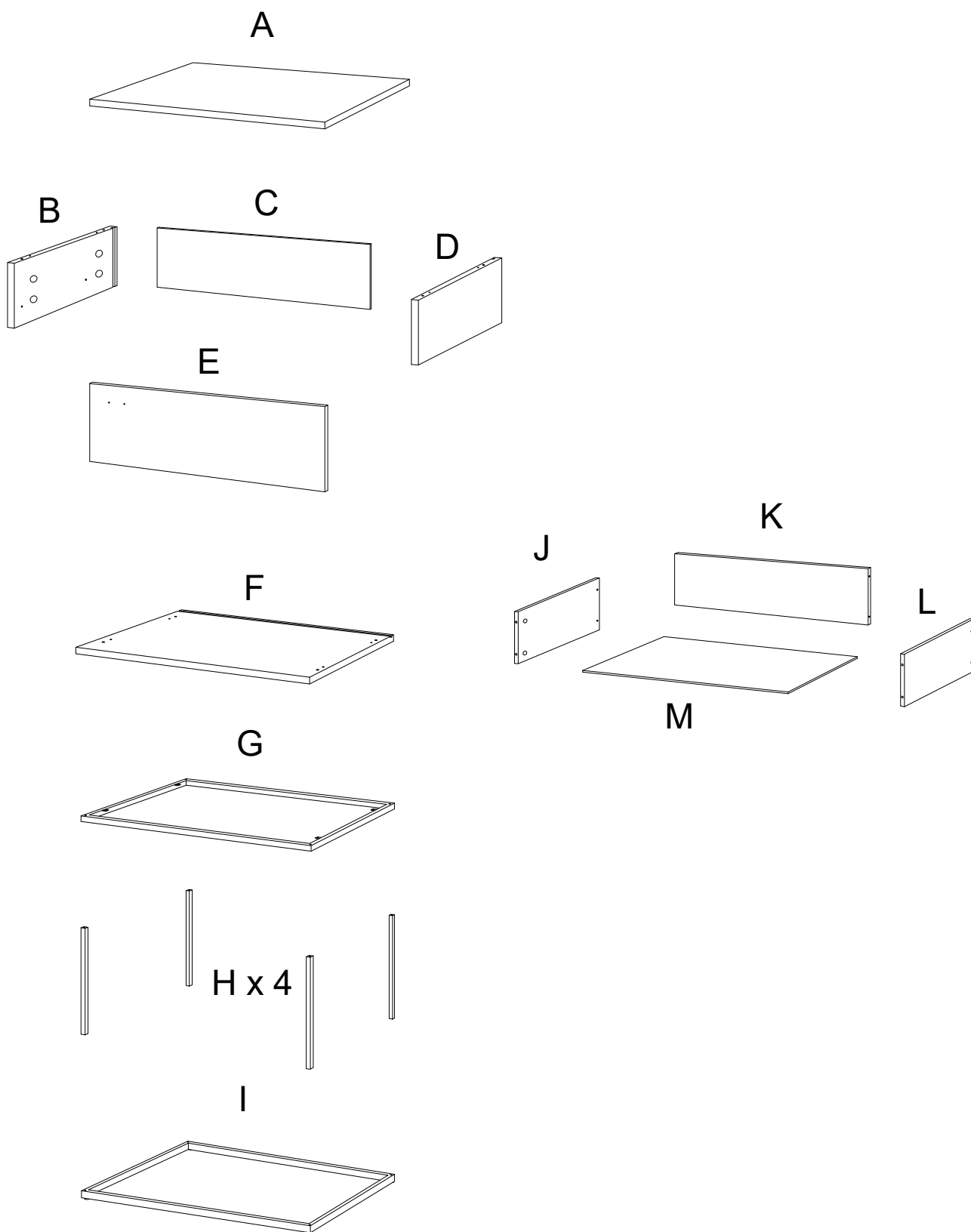


60'



1

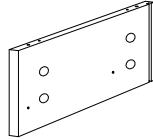


A



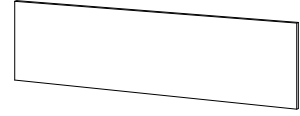
x 1

B



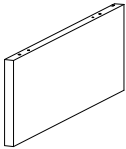
x 1

C



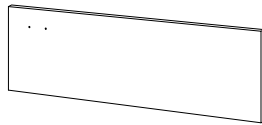
x 1

D



x 1

E



x 1

F



x 1

G



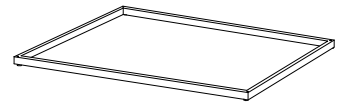
x 1

H



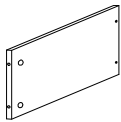
x 4

I



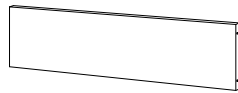
x 1

J



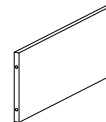
x 1

K



x 1

L



x 1

M



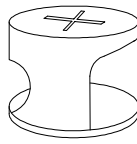
x 1

1



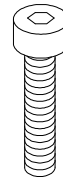
x 12

2



x 12

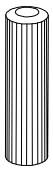
3



M6  
x  
20

x 8

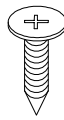
4



Ø8  
x  
30

x 8

5



3.5  
x  
14

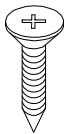
x 12

6



x 10

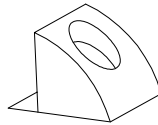
7



3.5  
x  
20

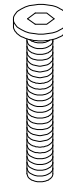
x 4

8



x 4

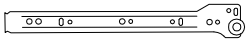
9



M4  
x  
22

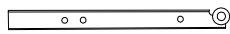
x 2

10



x 1

11



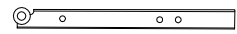
x 1

12



x 1

13



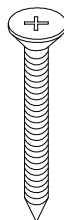
x 1

14



x 1

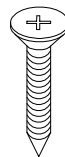
15



3.5  
x  
35

x 4

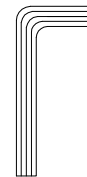
16



4  
x  
16

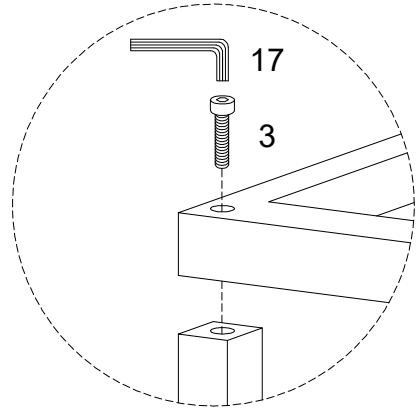
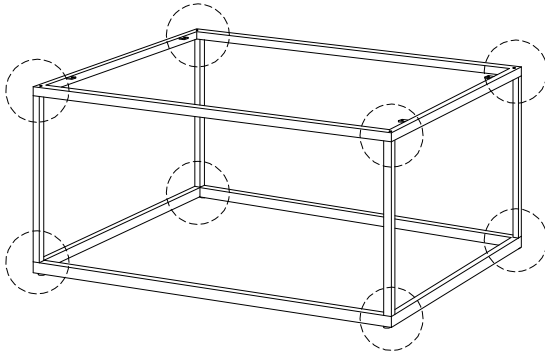
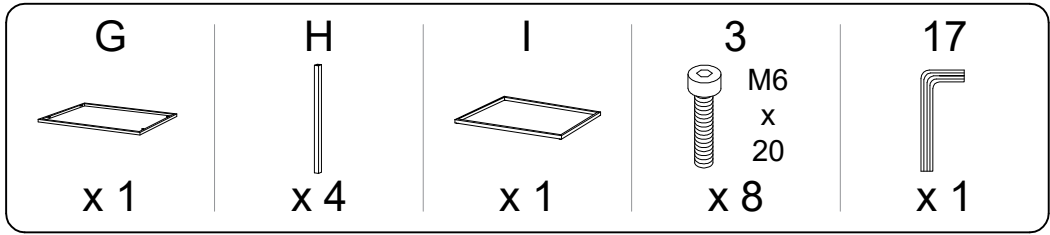
x 4

17

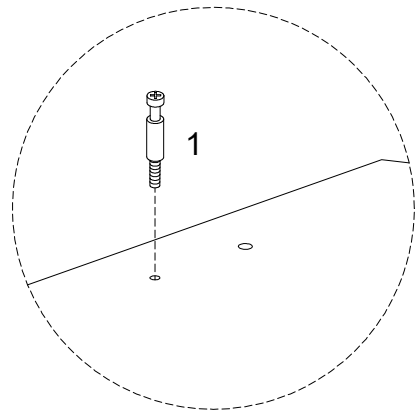
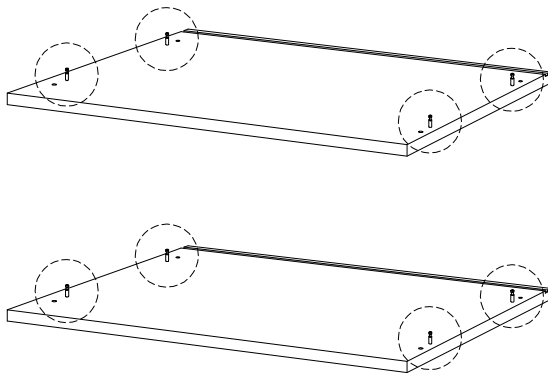
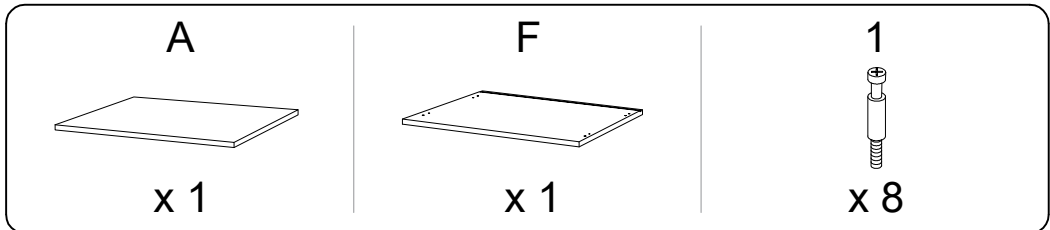


x 1

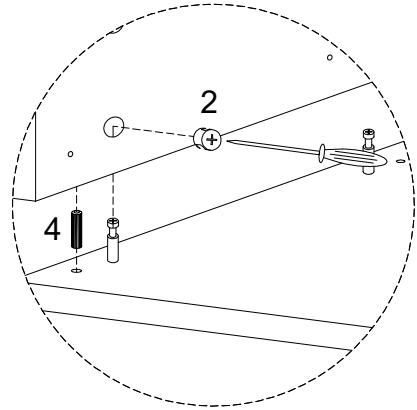
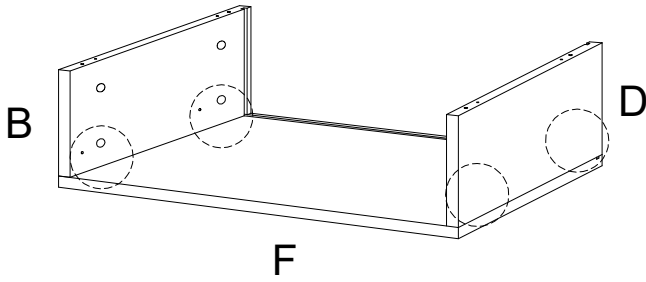
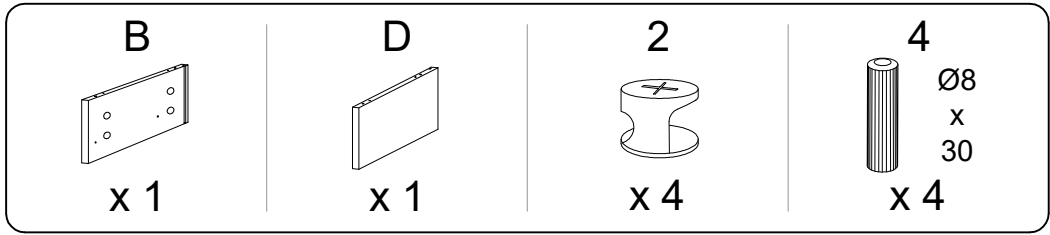
1



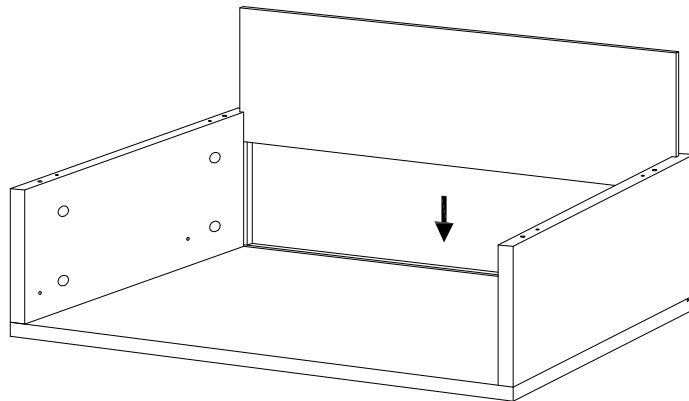
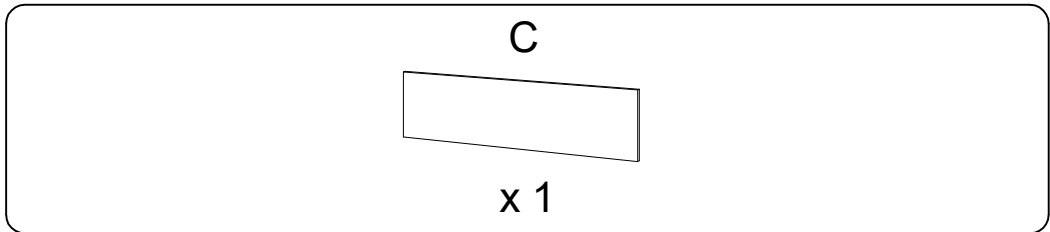
2



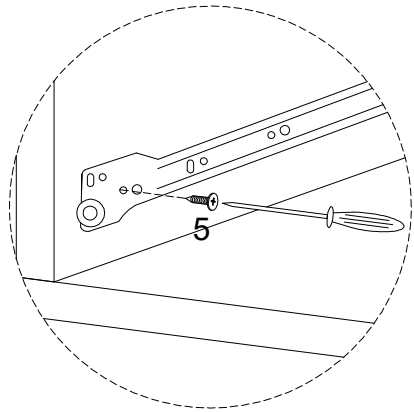
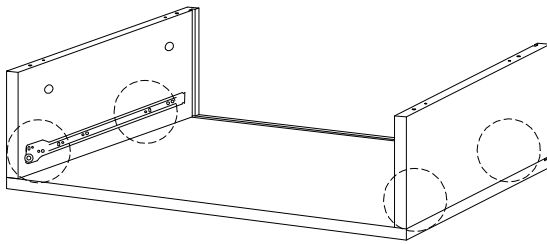
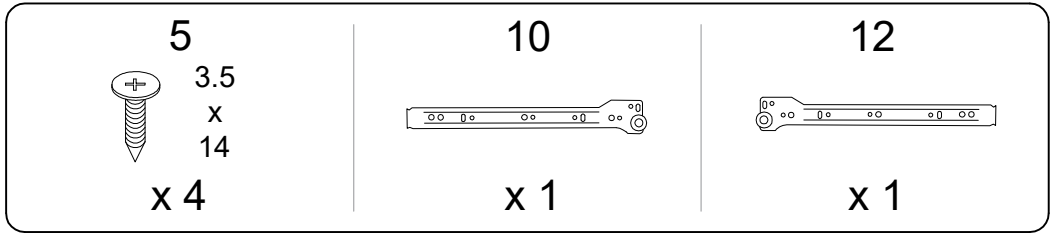
3



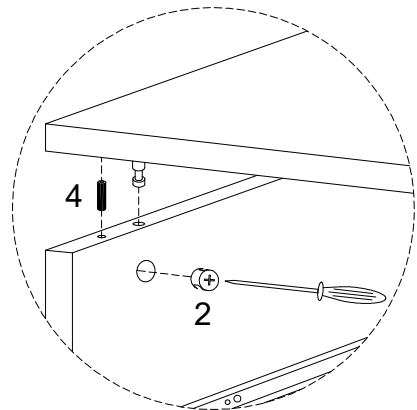
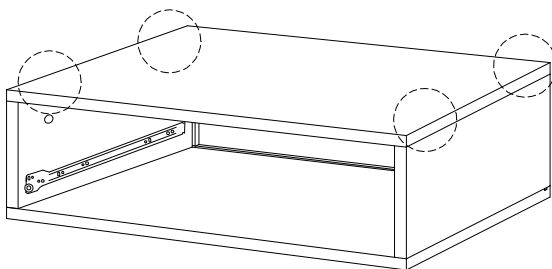
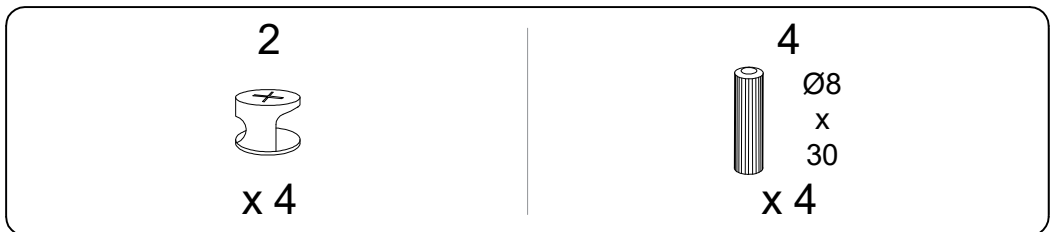
4



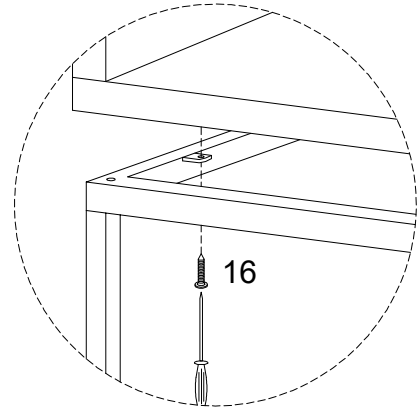
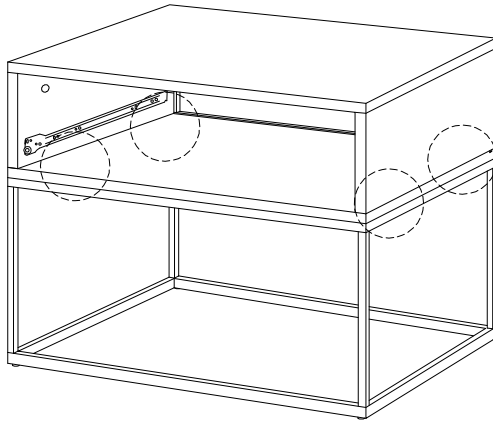
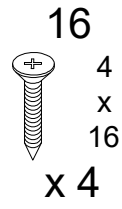
5



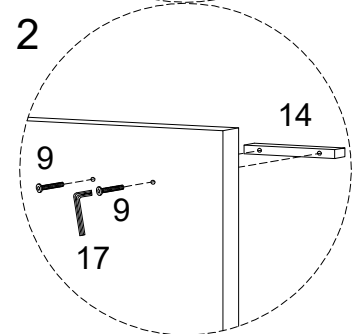
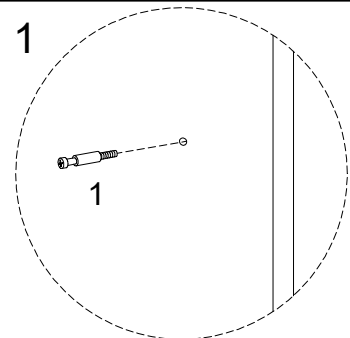
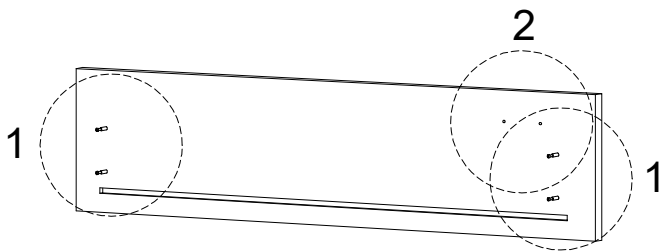
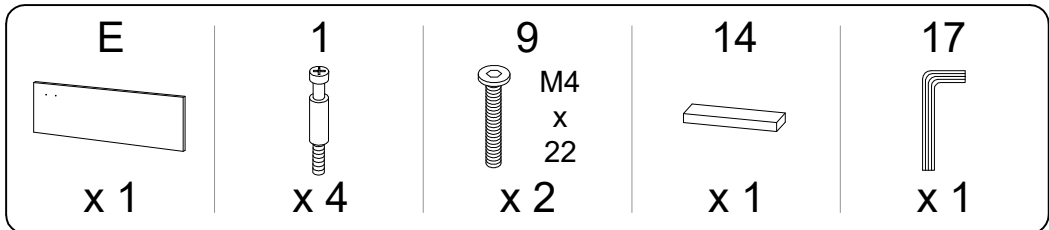
6



7

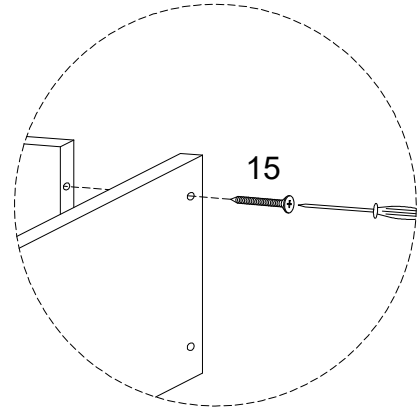
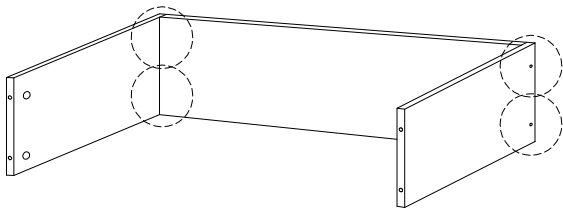
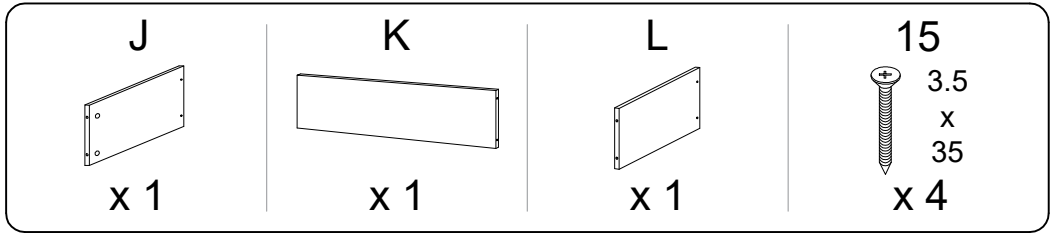


8

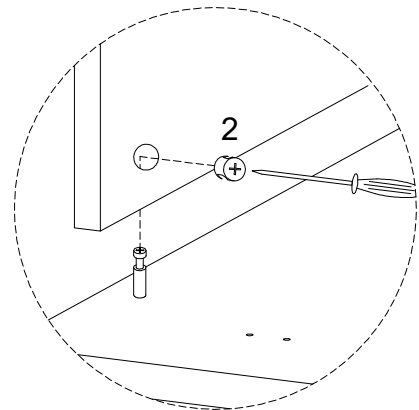
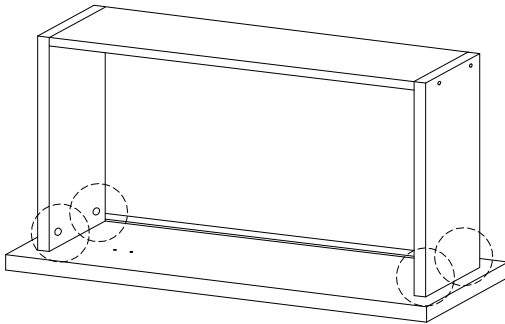
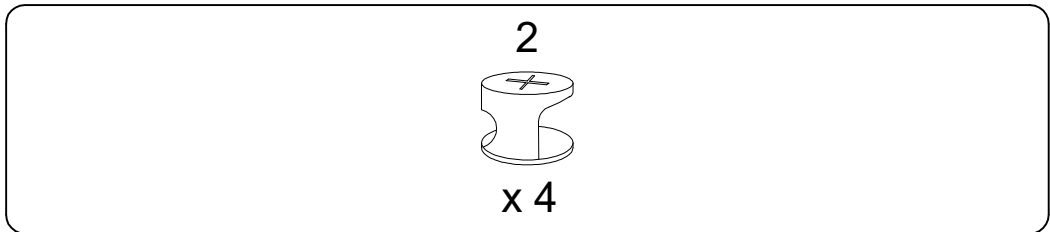




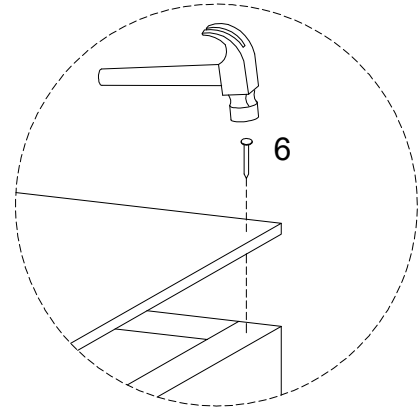
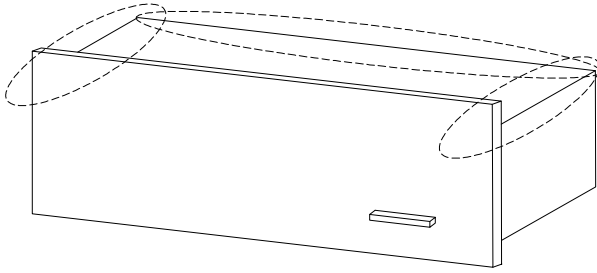
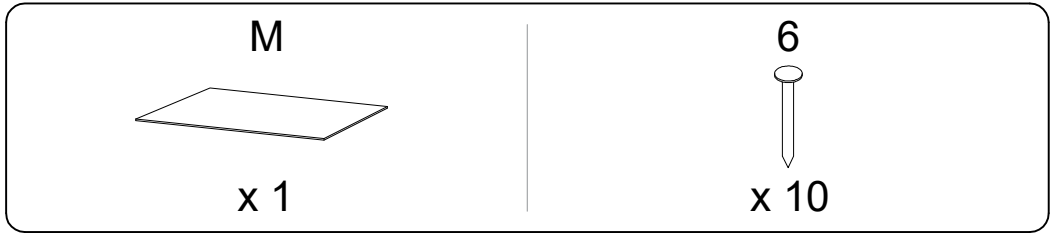
9



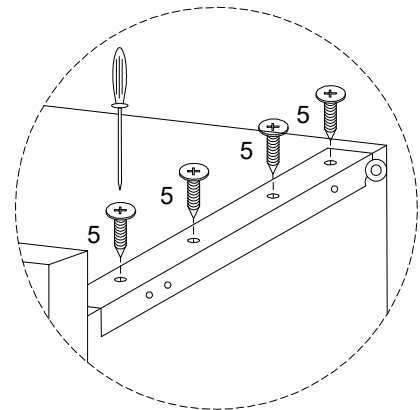
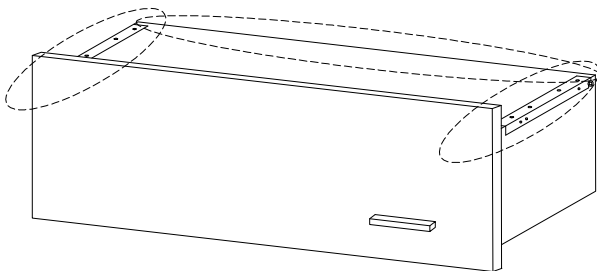
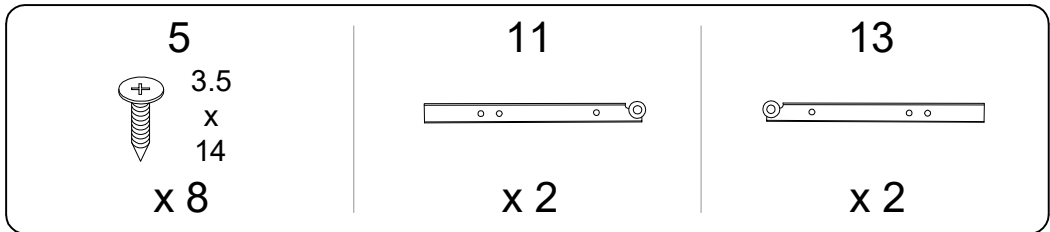
10



11

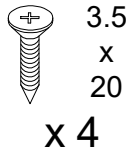


12



13

7



8

