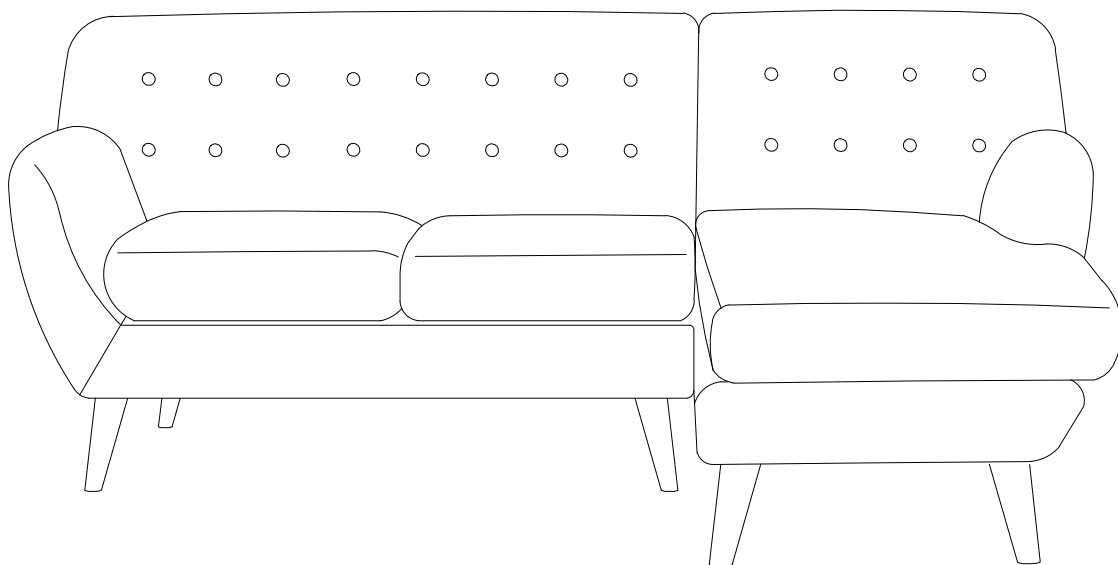
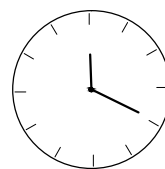
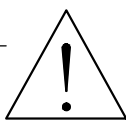
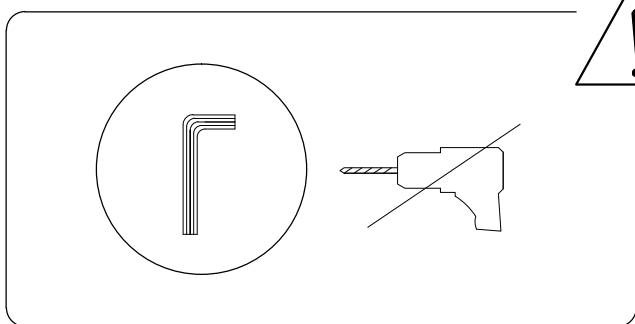
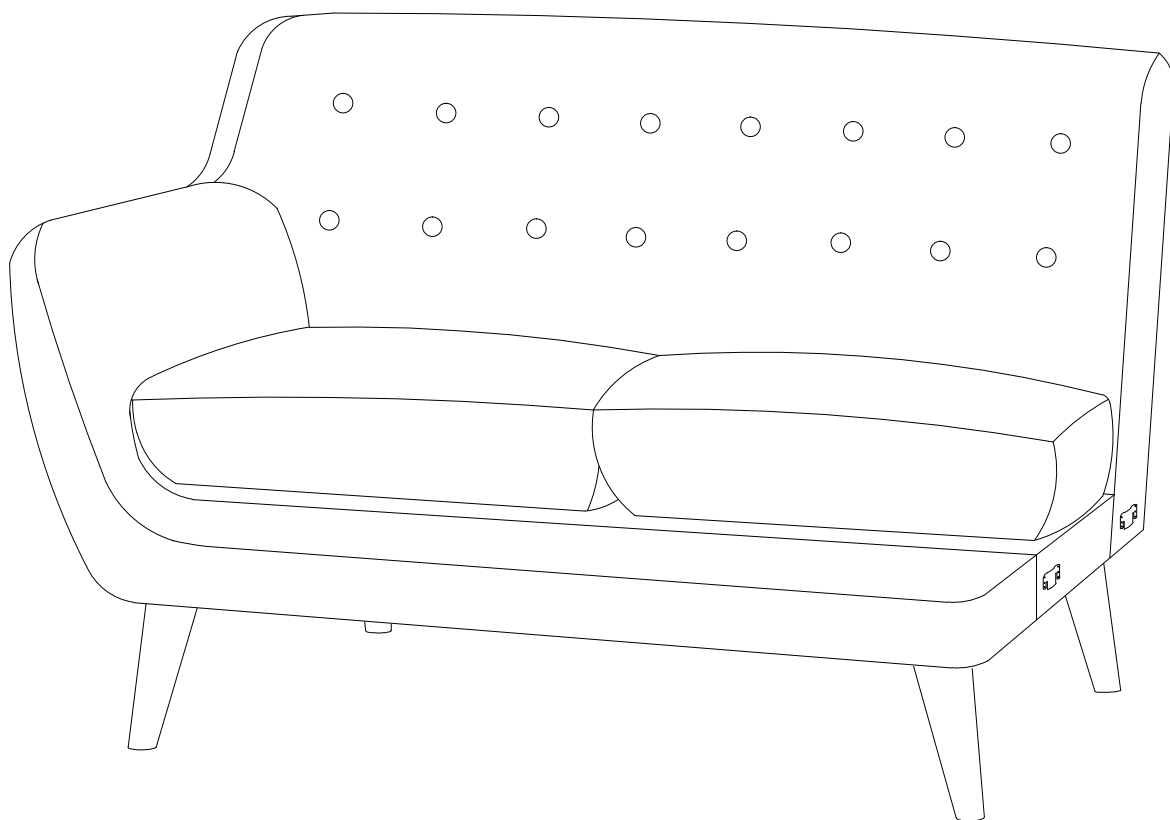


A

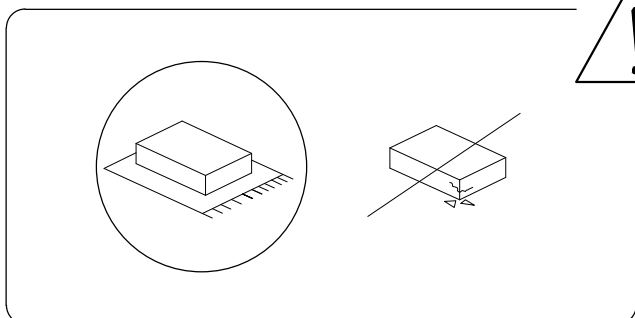
B



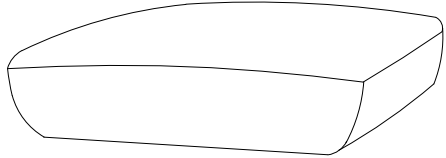
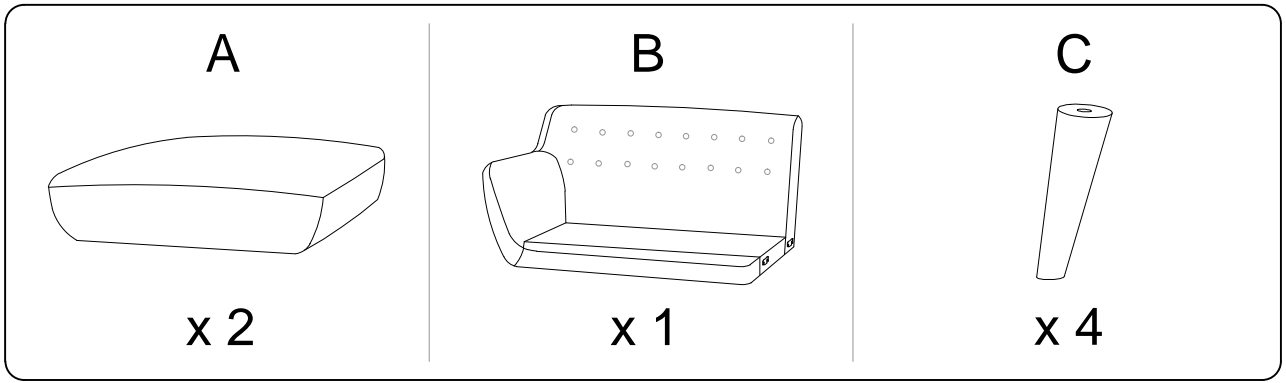
A



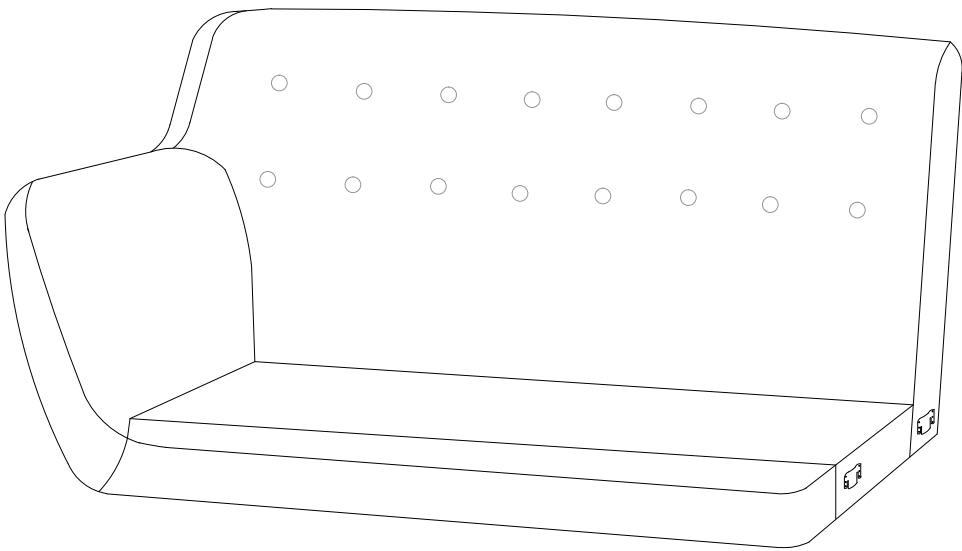
20'



1



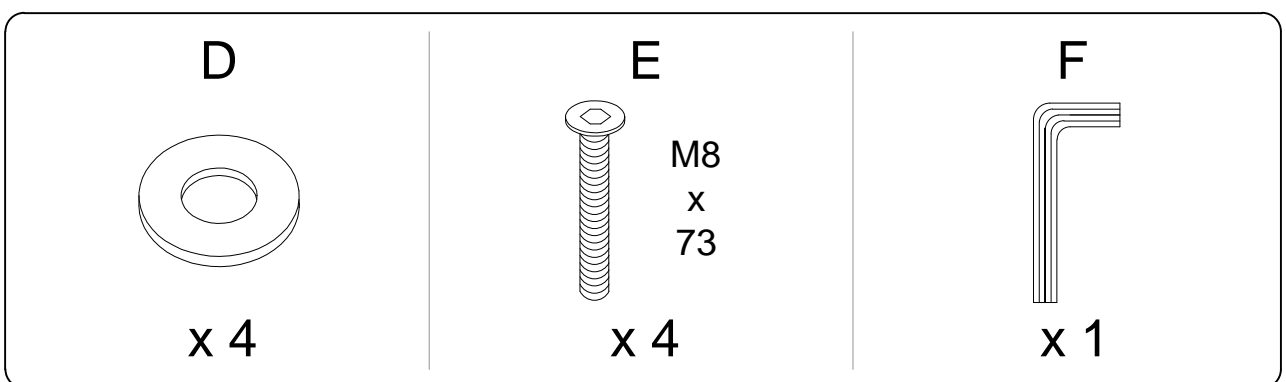
A x 2



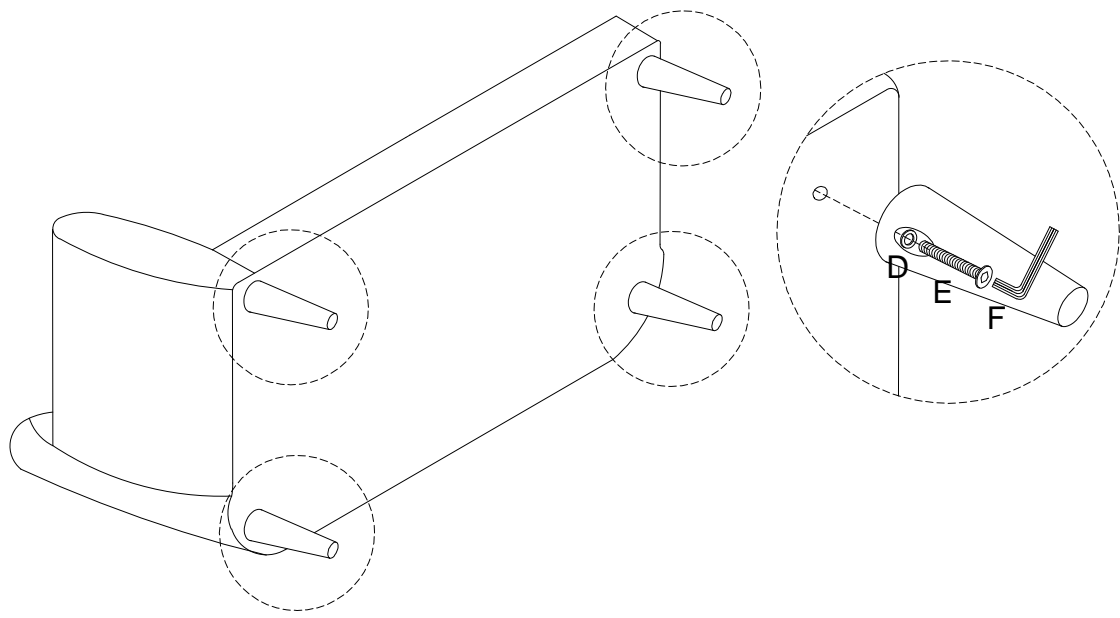
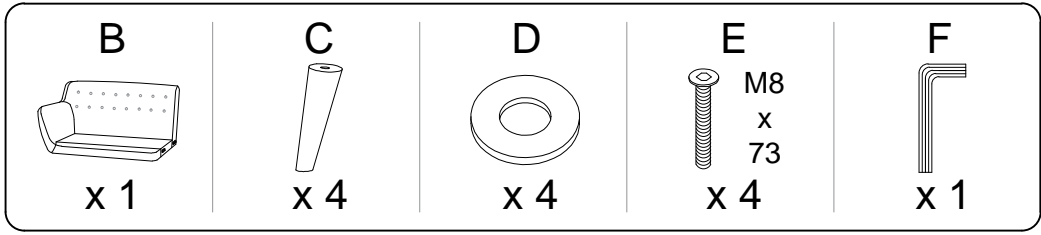
B



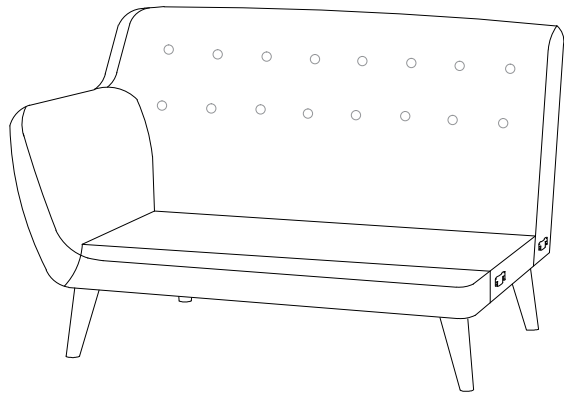
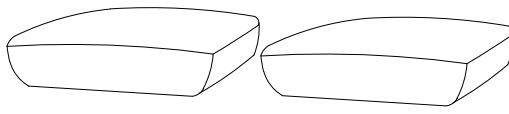
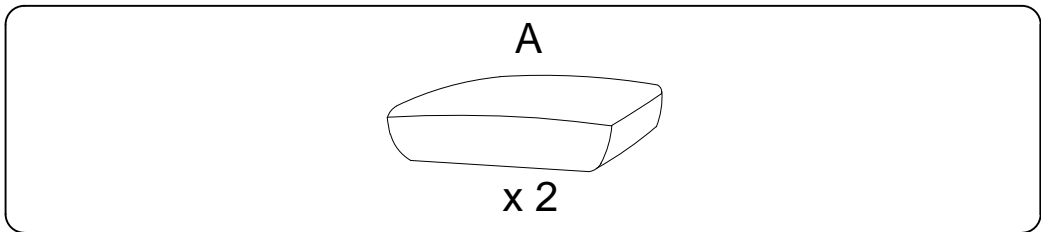
C x 4



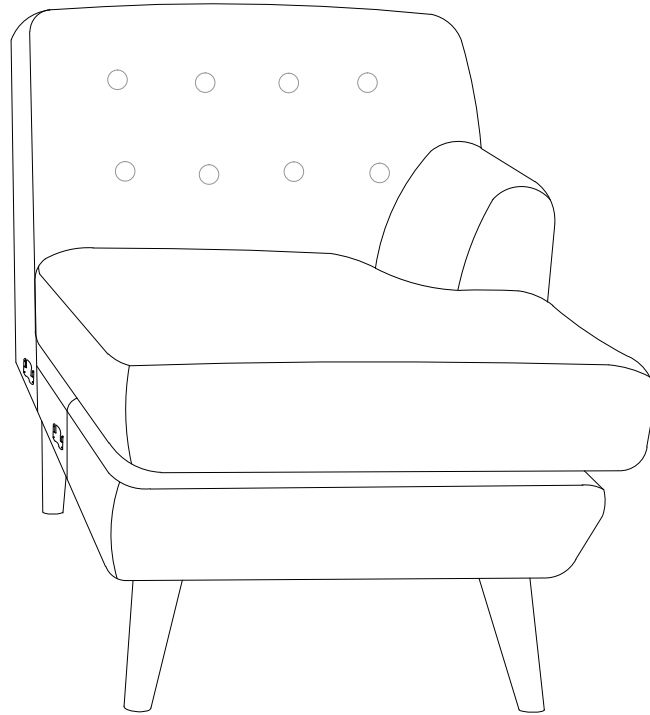
1



2

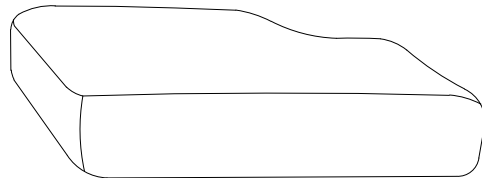
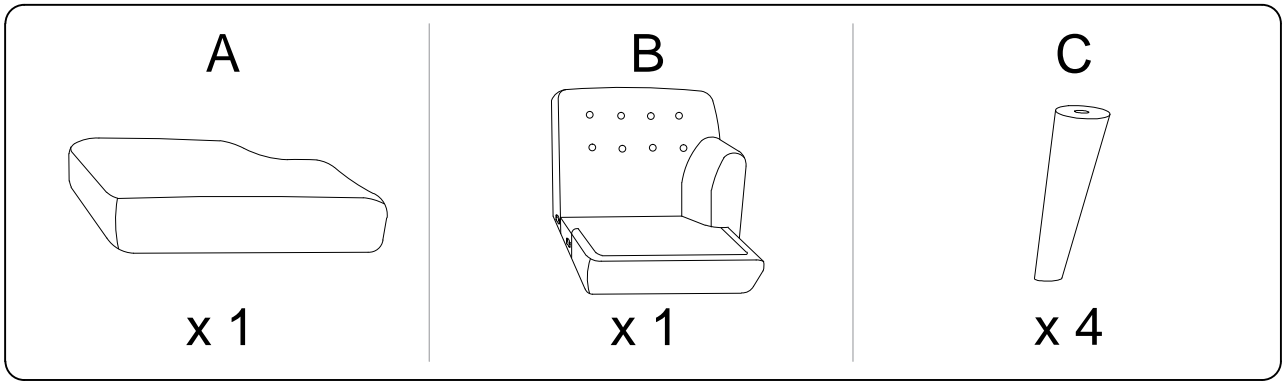


B

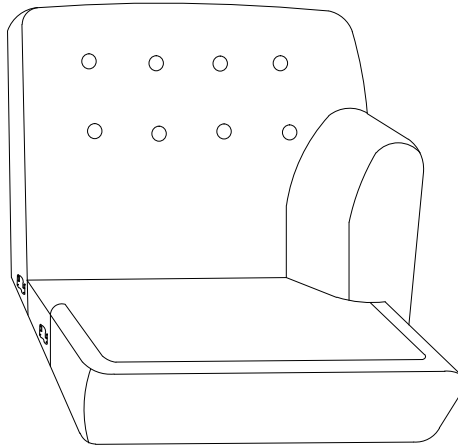


The assembly instructions for step B are presented in two warning boxes, each containing a warning triangle icon. The first box shows a corner bracket and a crossed-out power drill, indicating that the bracket should be attached without using a drill. The second box shows a rectangular foam pad being placed on a surface and a crossed-out screwdriver, indicating that the pad should be placed without being fastened. To the right of these boxes, a clock icon is shown with the number '20'' below it, indicating the estimated time for this step. Below the clock icon is a person icon with the number '1' below it, indicating that one person is required for this step.

5/7



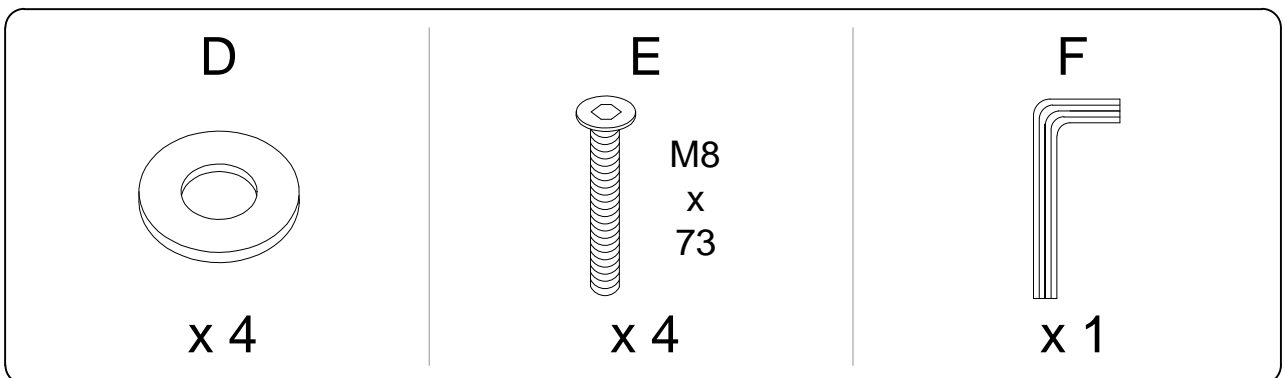
A



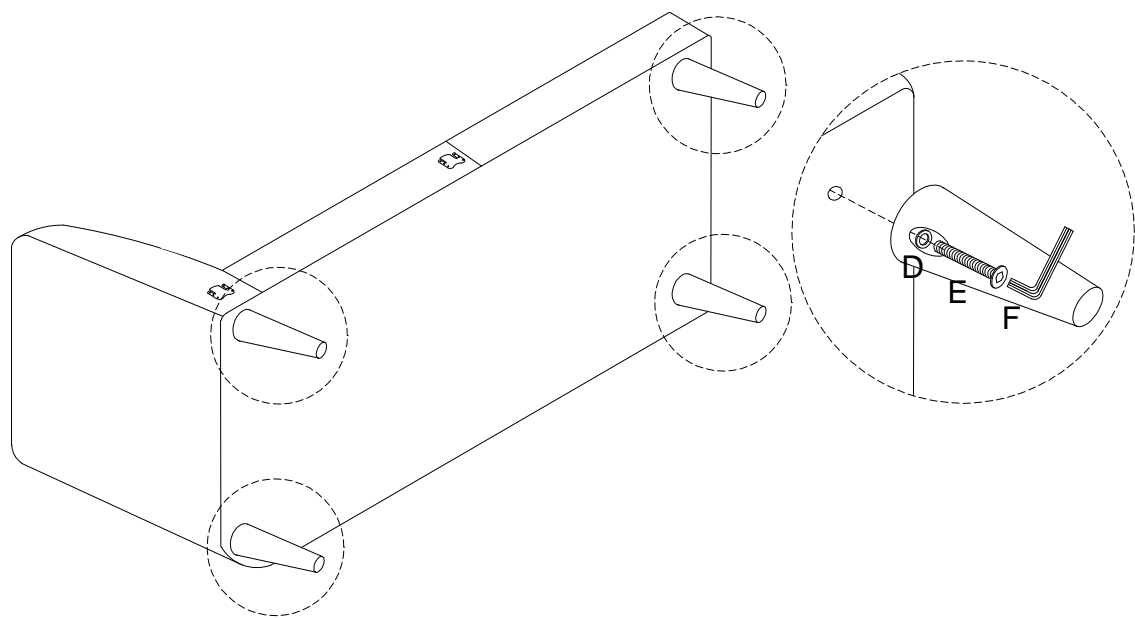
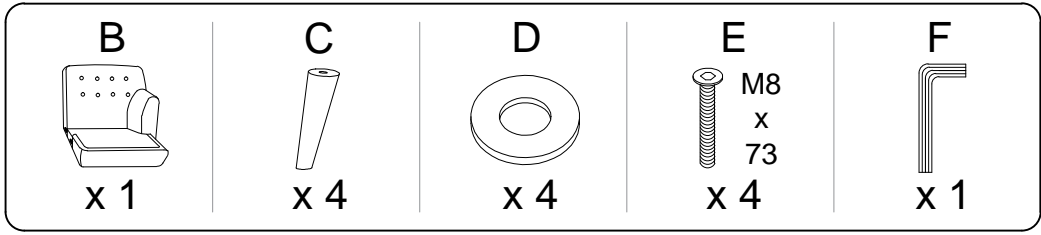
B



C x 4



1



2

