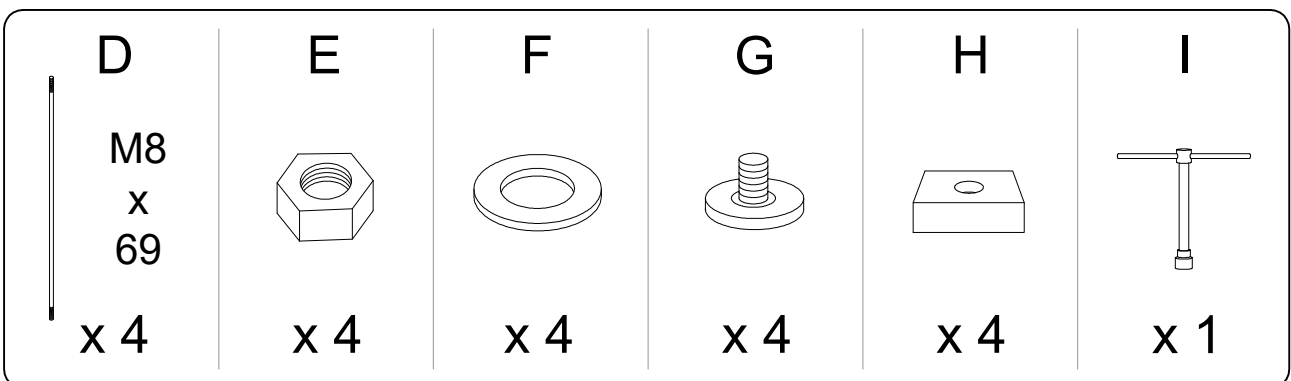
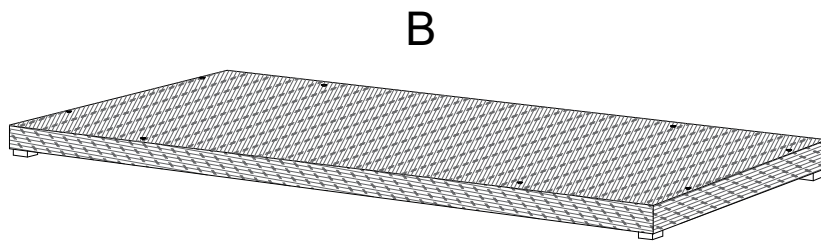
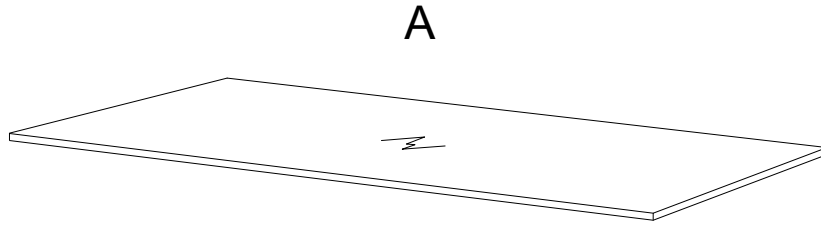
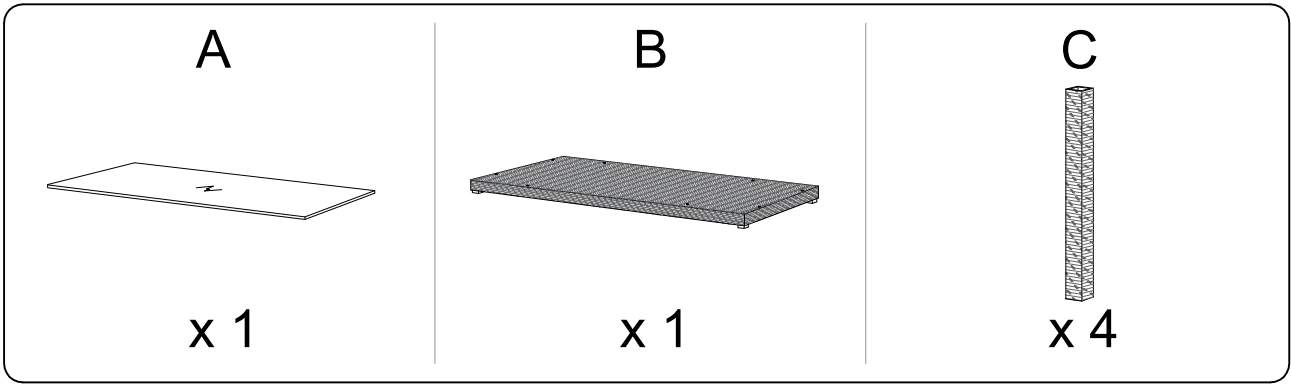
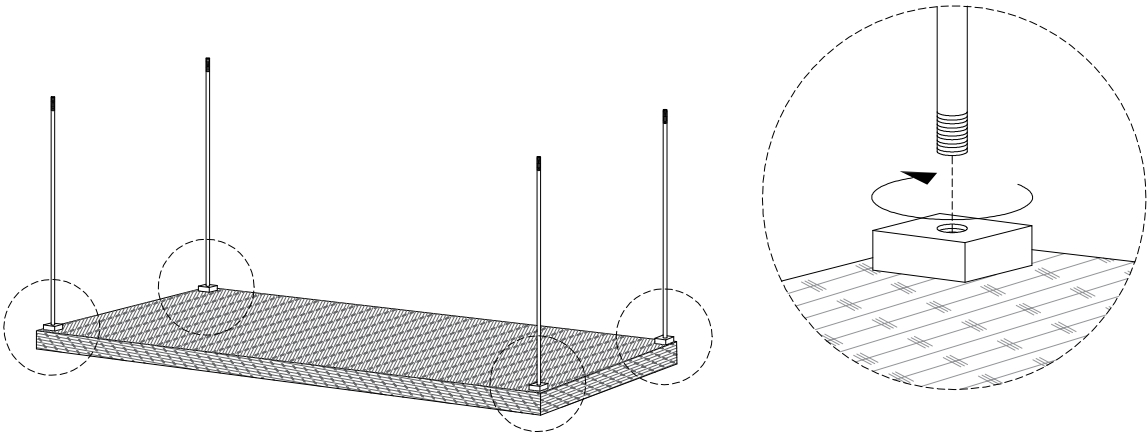
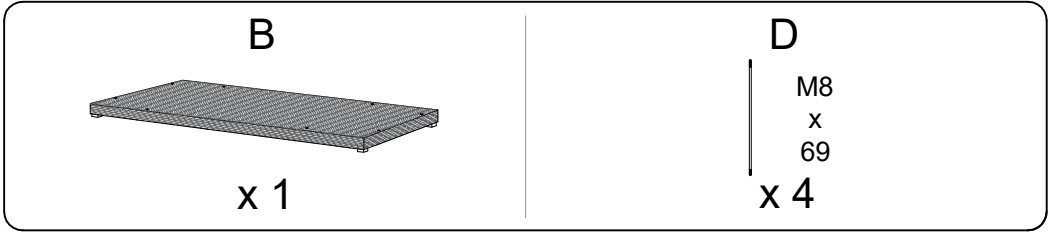


Assembly instructions for the table:

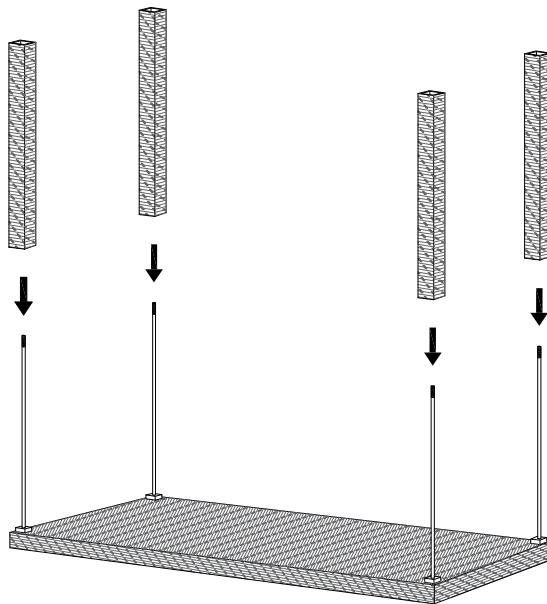
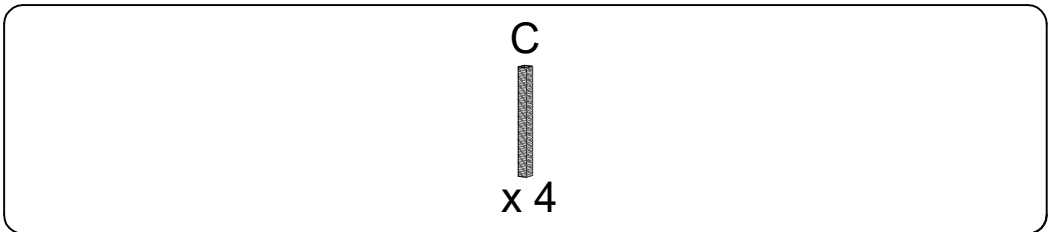
- Tools:** A circular icon shows a T-handled screwdriver. A circular icon shows a power drill with a diagonal line through it, indicating it should not be used.
- Warning:** A triangle with an exclamation mark.
- Time:** A clock icon with the text "20'" below it, indicating an estimated assembly time of 20 minutes.
- Personnel:** A stick figure icon with the number "1" below it, indicating that one person is required for assembly.
- Assembly Step:** A circular icon shows a rectangular block being placed on a textured surface. A circular icon shows the same block with a diagonal line through it, indicating it should not be placed on a different surface.
- Warning:** A triangle with an exclamation mark.



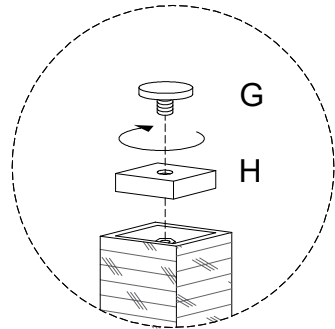
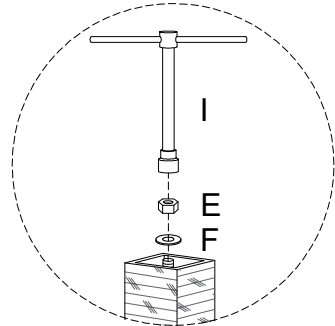
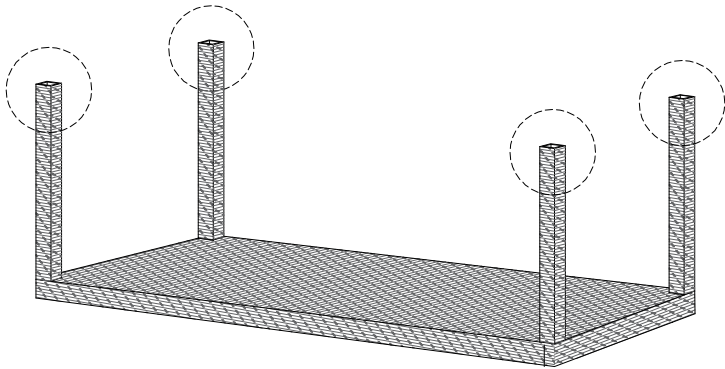
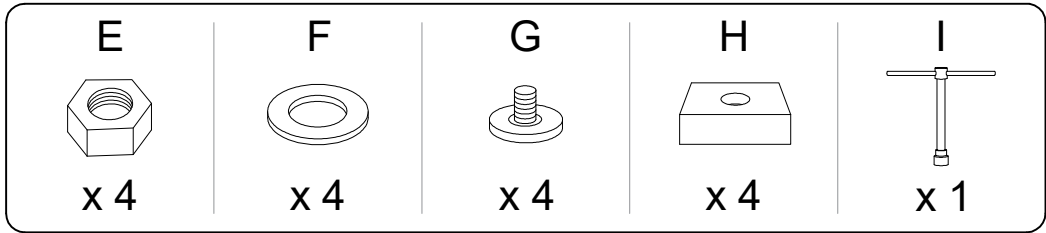
1



2



3



4

