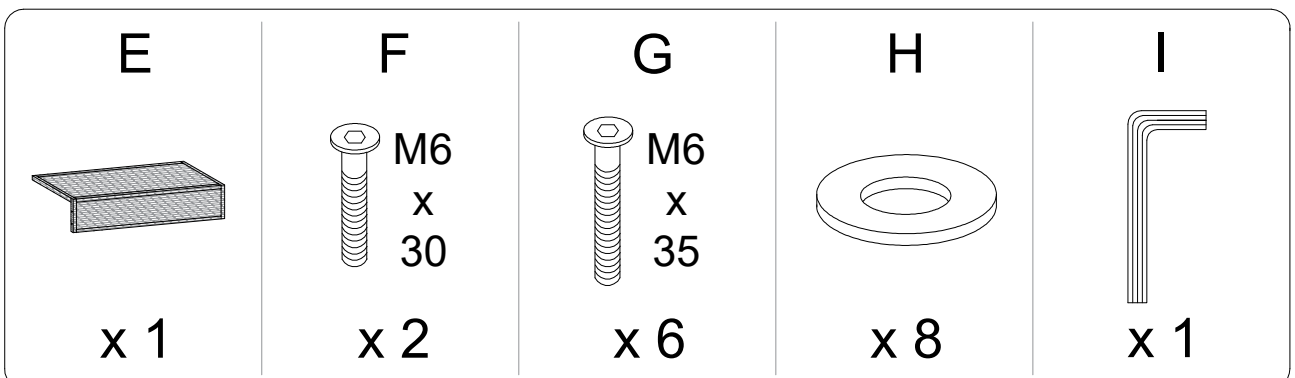
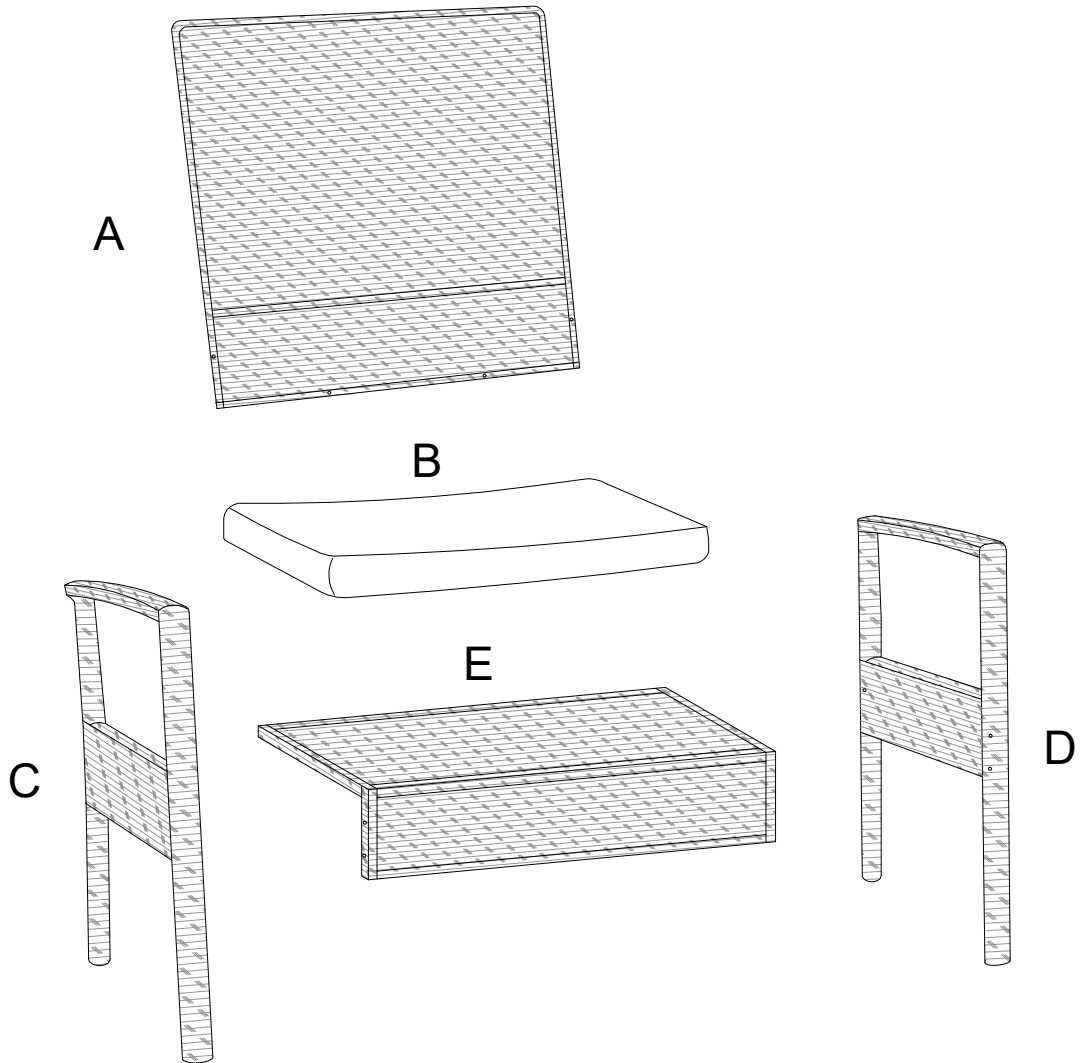
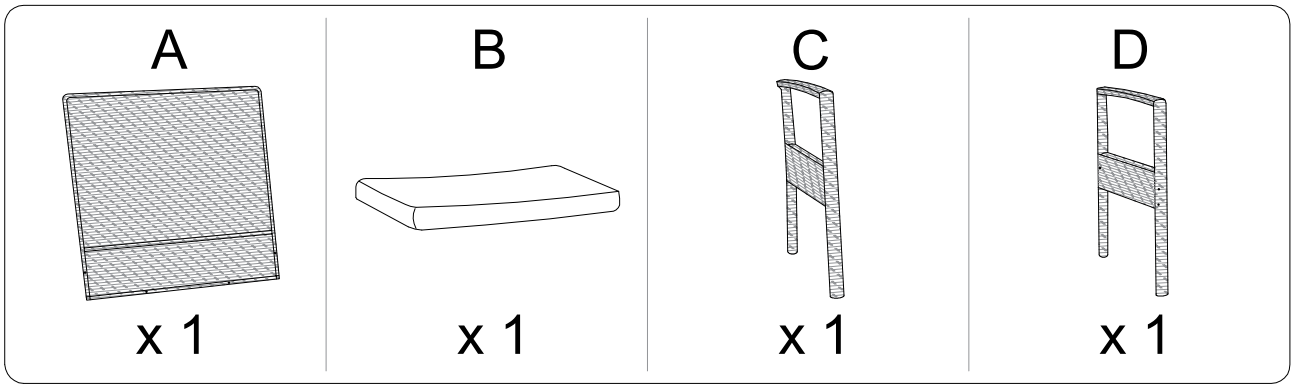


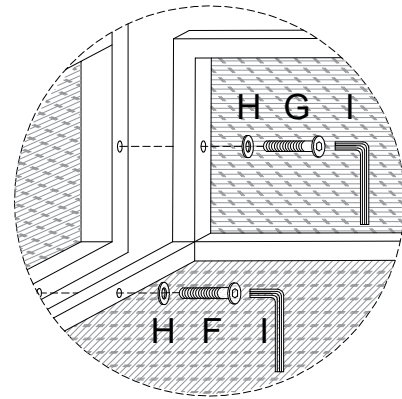
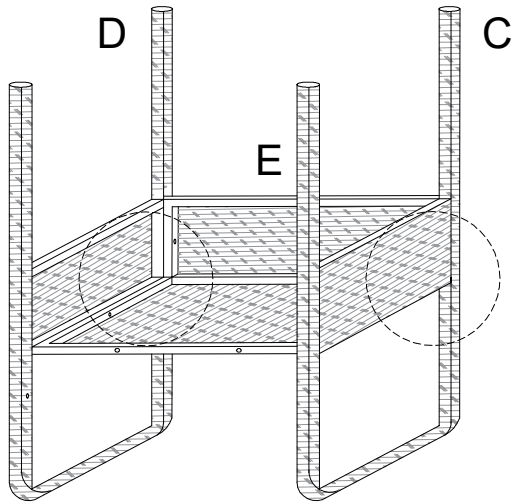
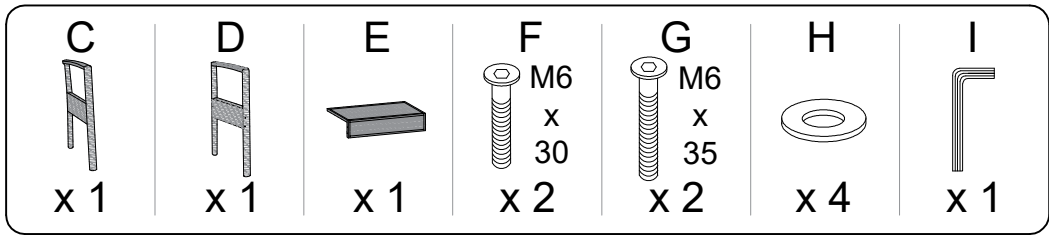
60'

2

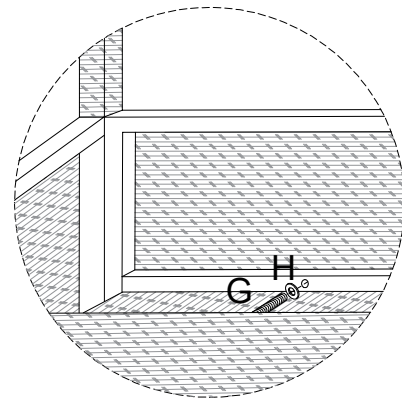
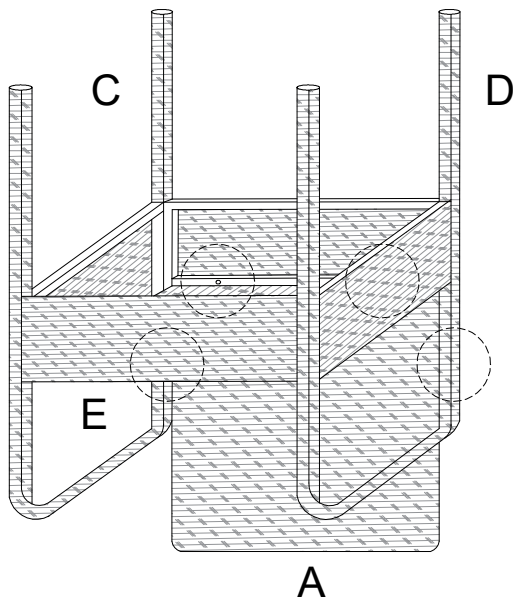
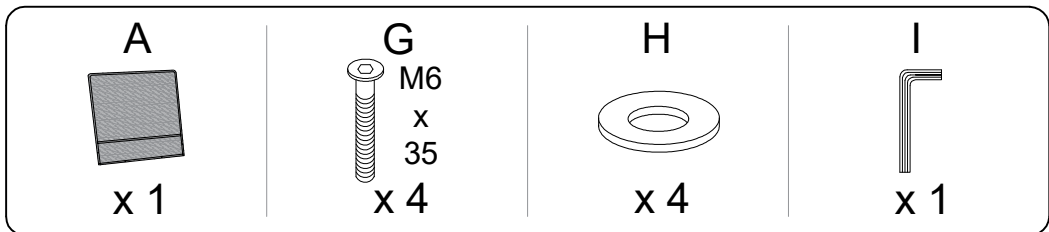
A



1



2

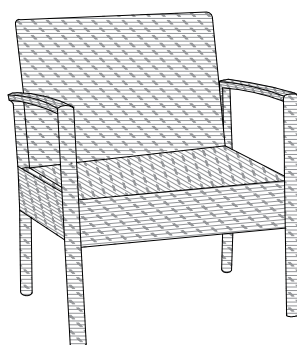
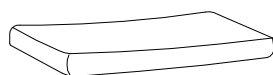


3

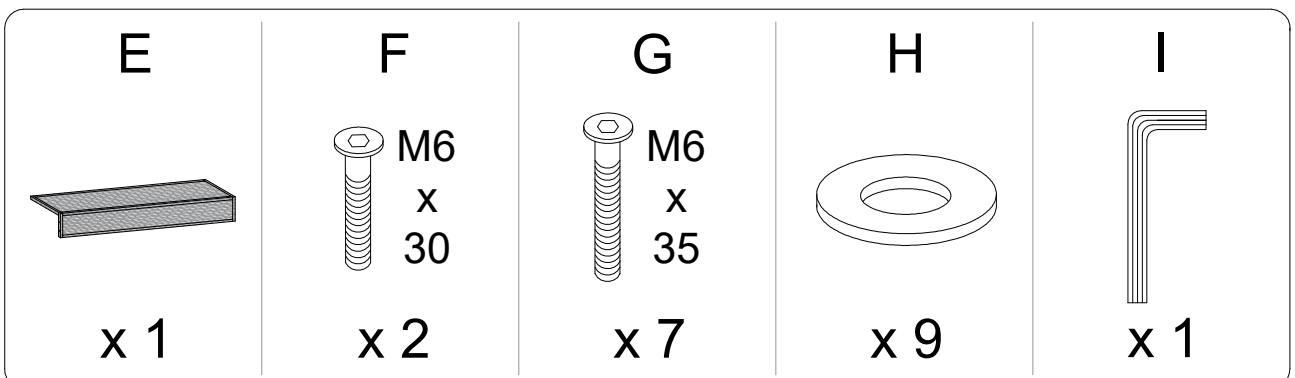
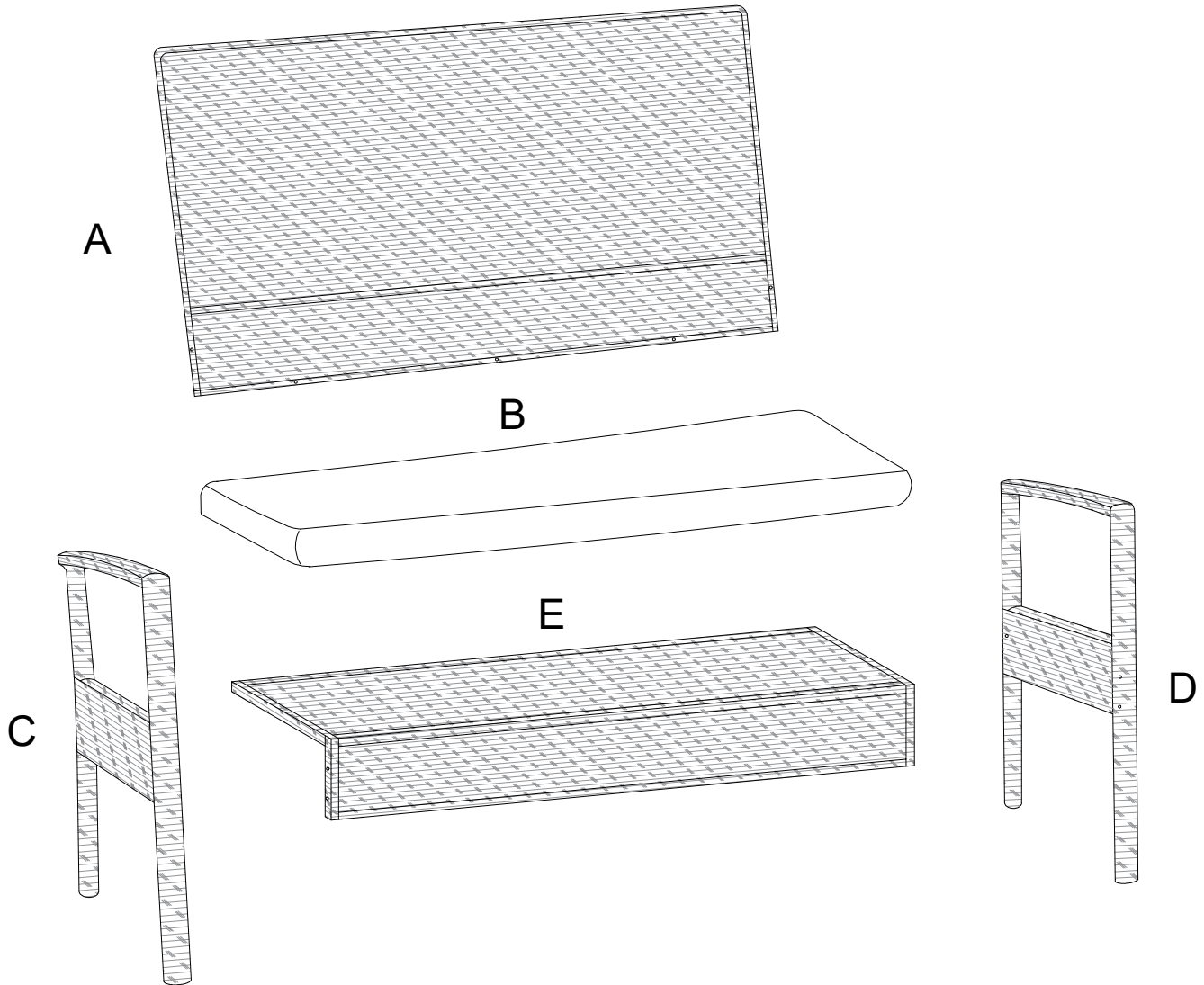
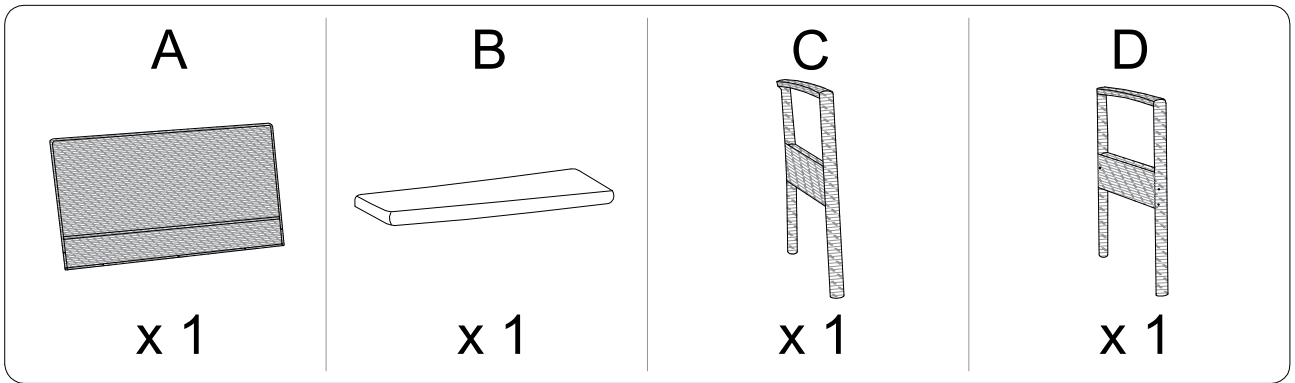
B



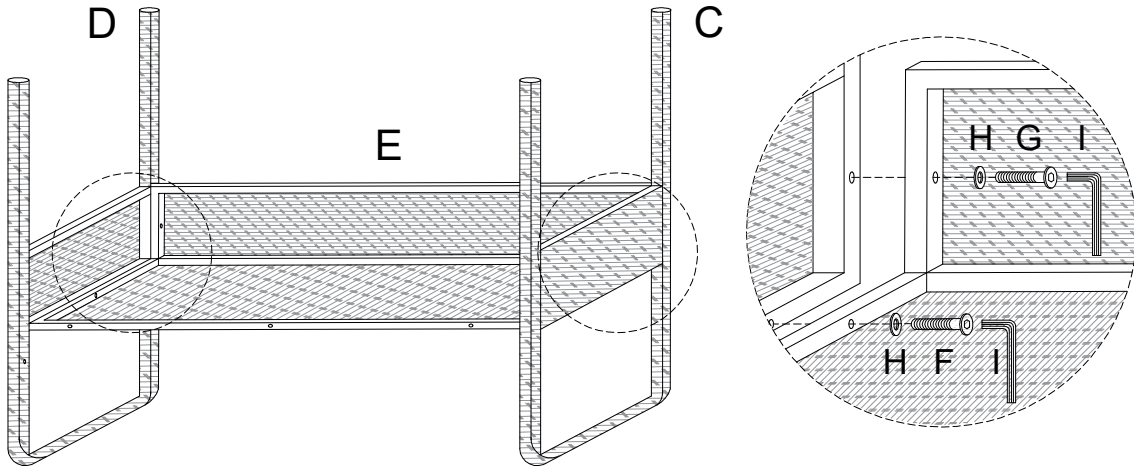
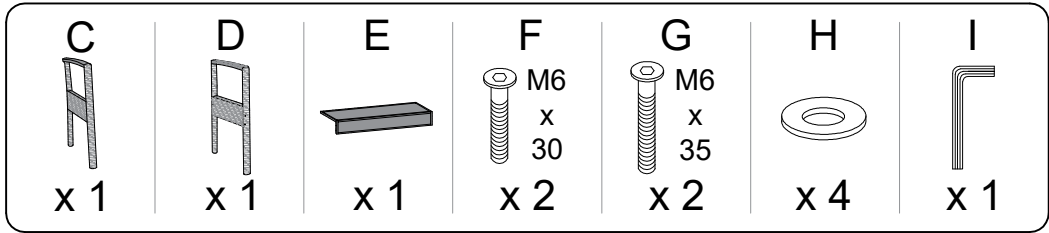
x 1



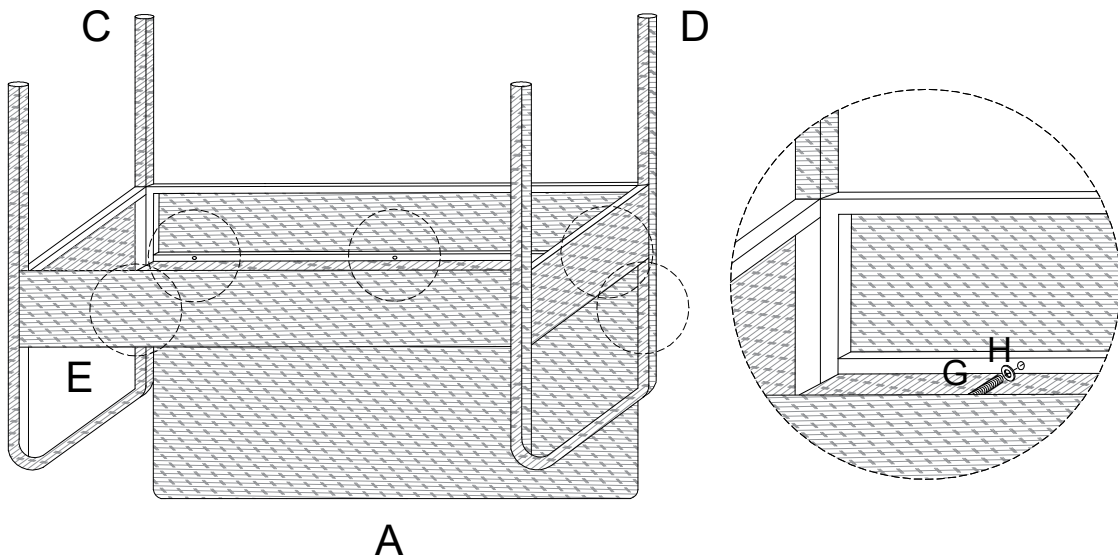
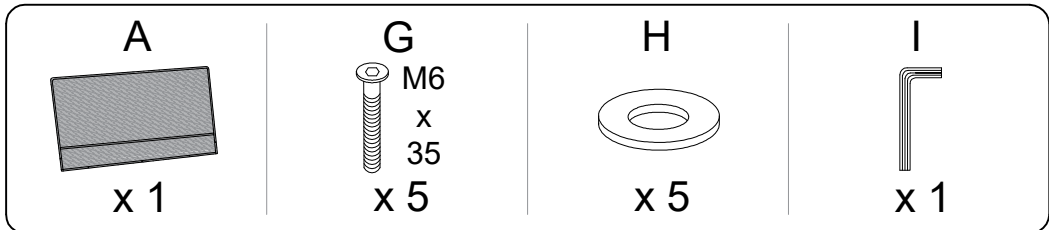
B



1

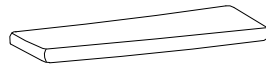


2

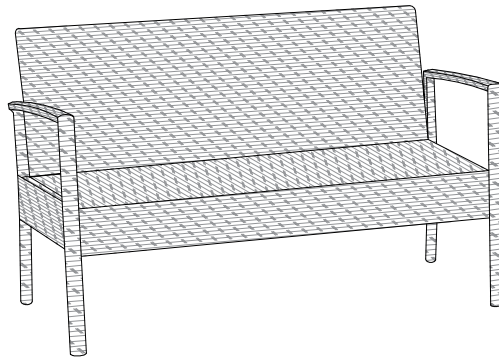
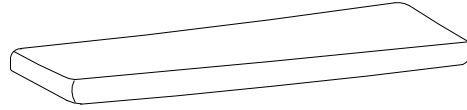


3

B

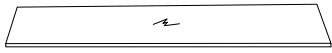


x 1



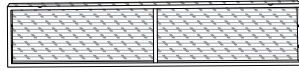
C

A



x 1

B



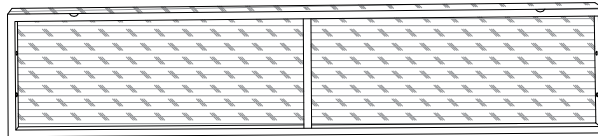
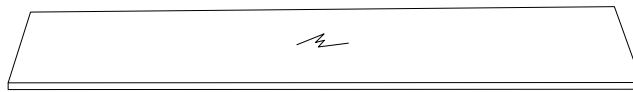
x 2

C



x 2

A



B x 2

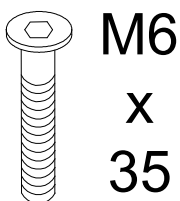
C



C

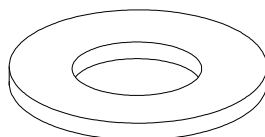


D



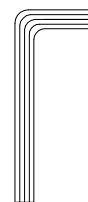
x 8

E



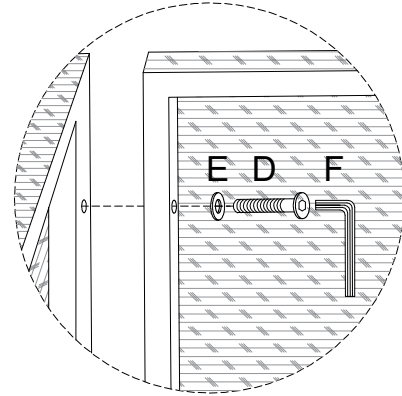
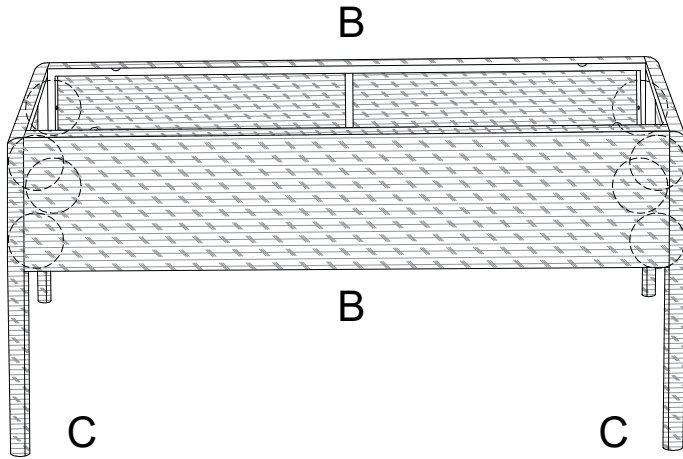
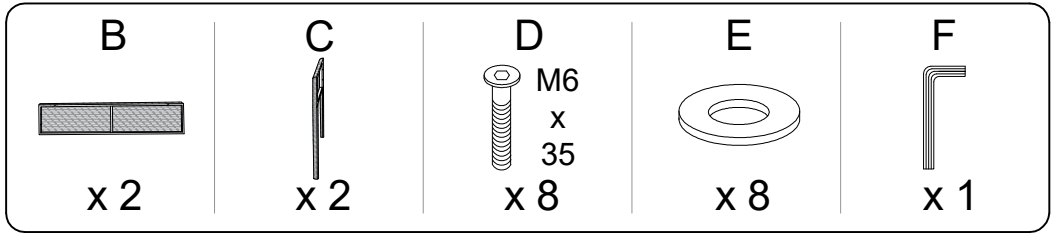
x 8

F



x 1

1



2

