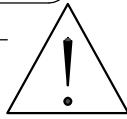
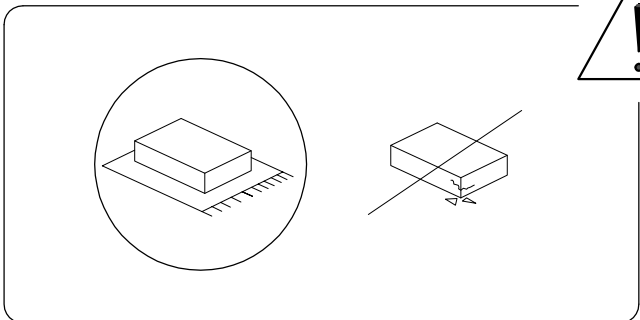
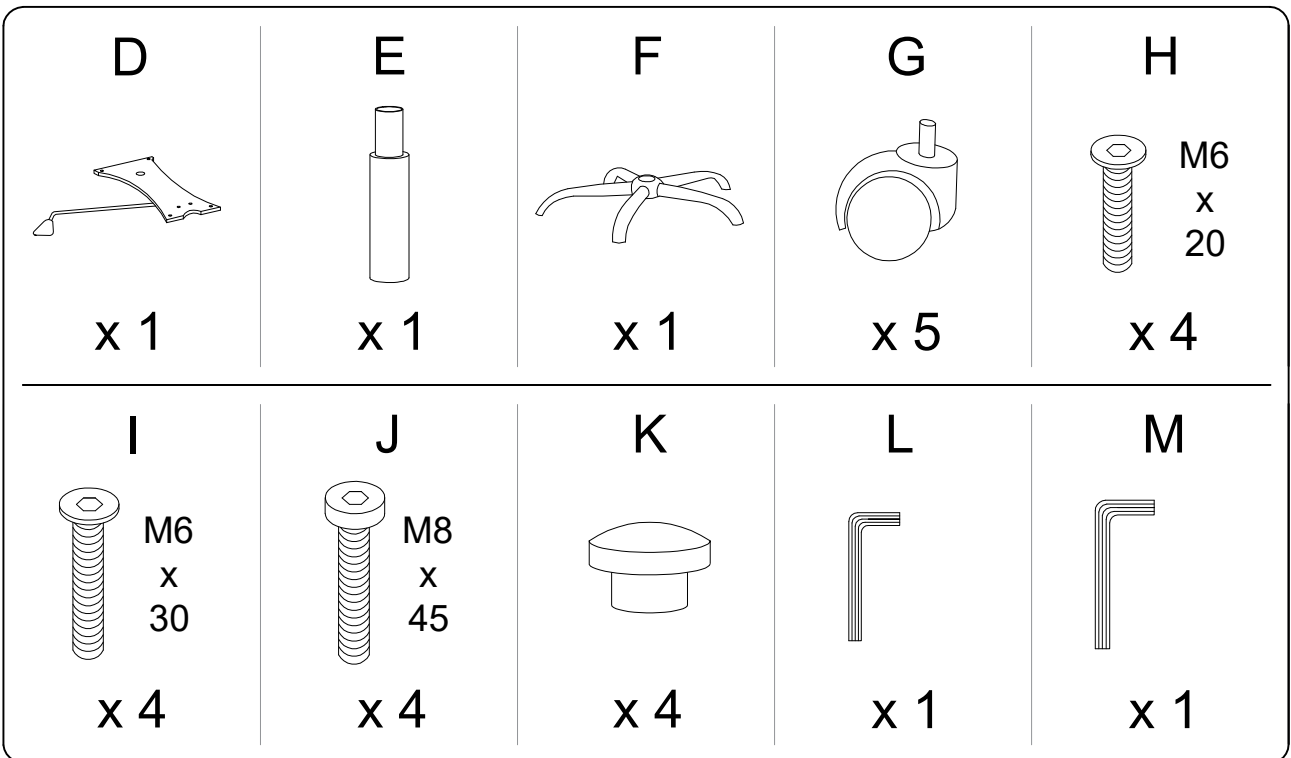
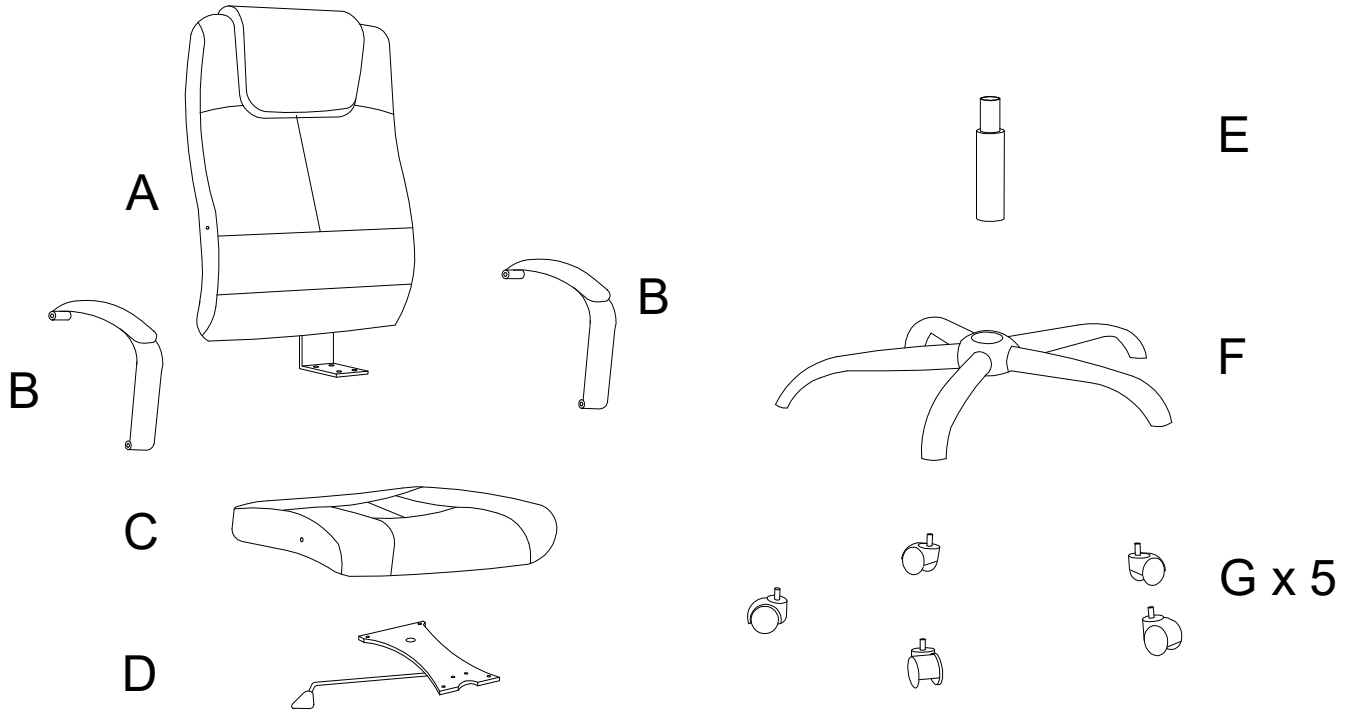
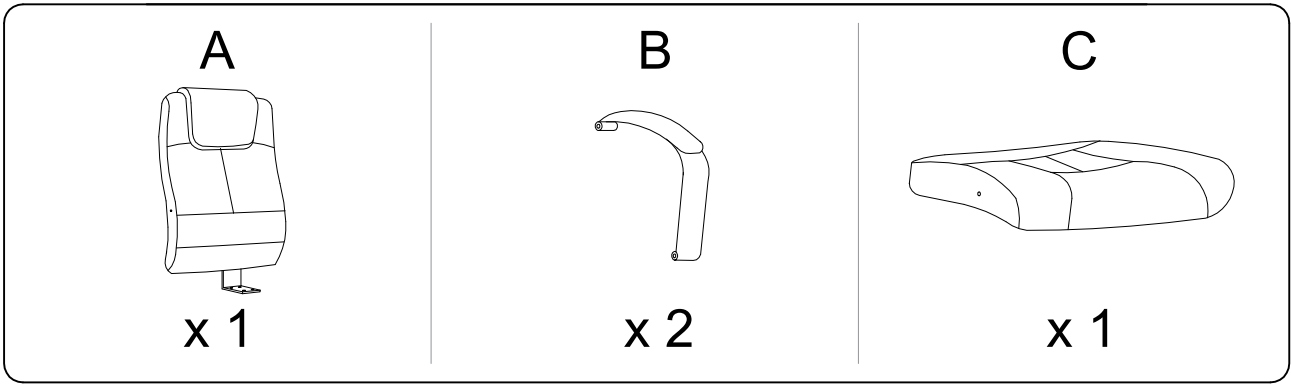


30'

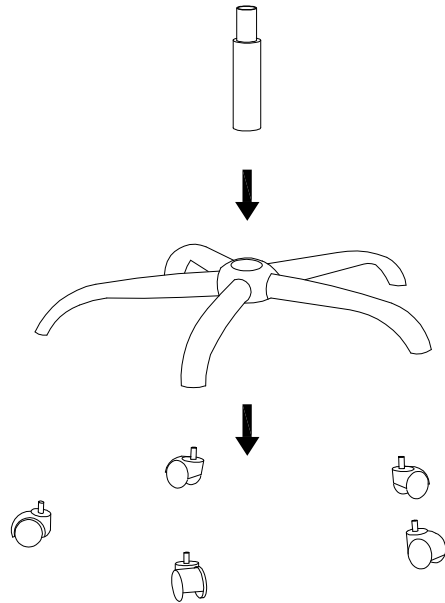
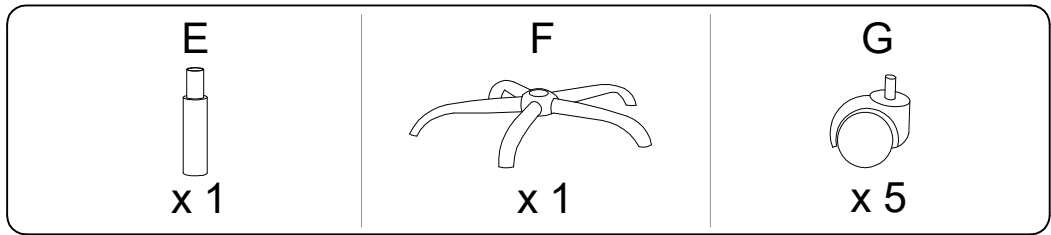


1

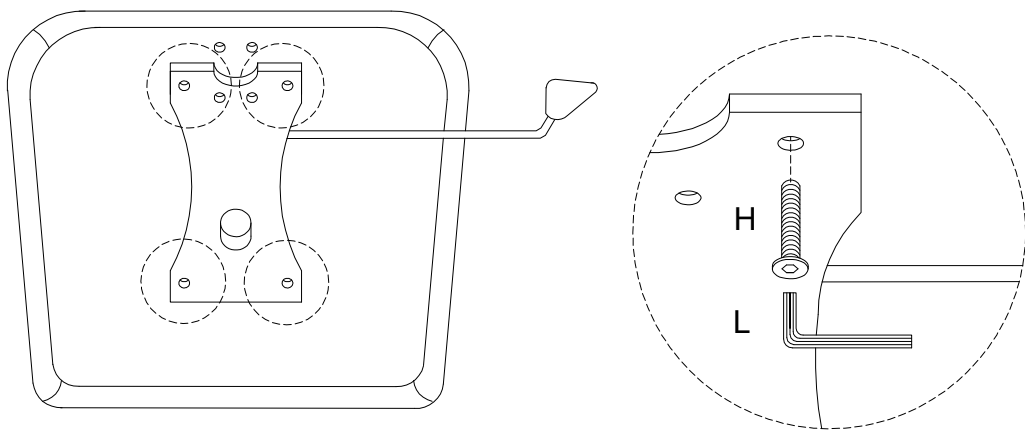
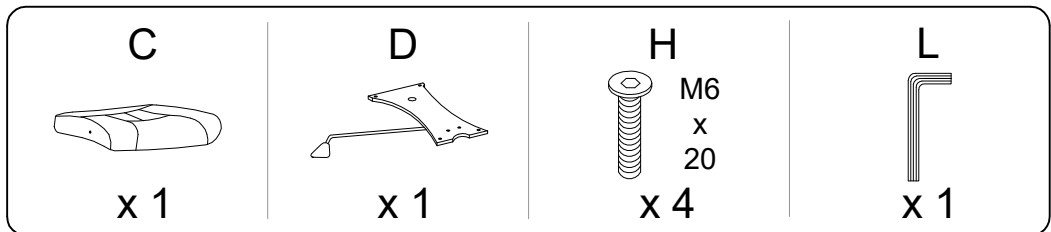
1/5



1



2



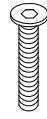
3

A



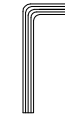
x 1

I

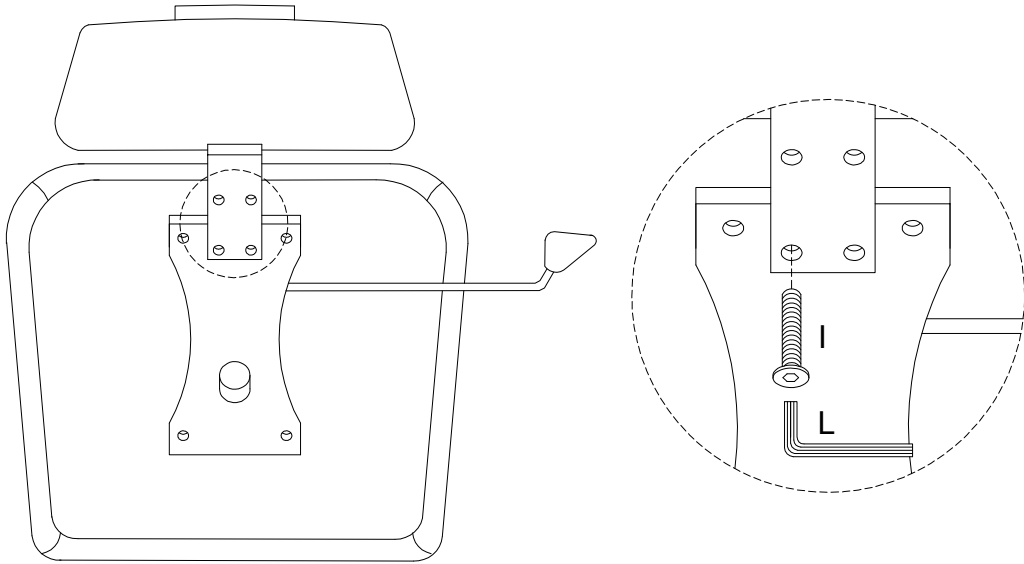


M6  
x 30  
x 4

L



x 1



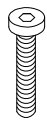
4

B



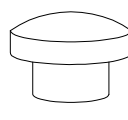
x 2

J



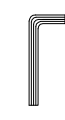
M8  
x 45  
x 4

K

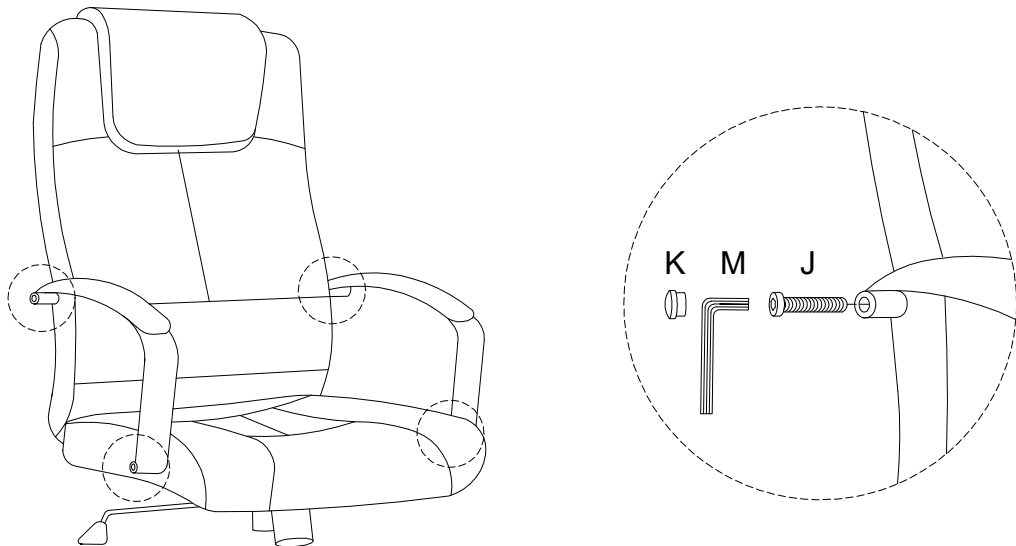


x 4

M



x 1



5

