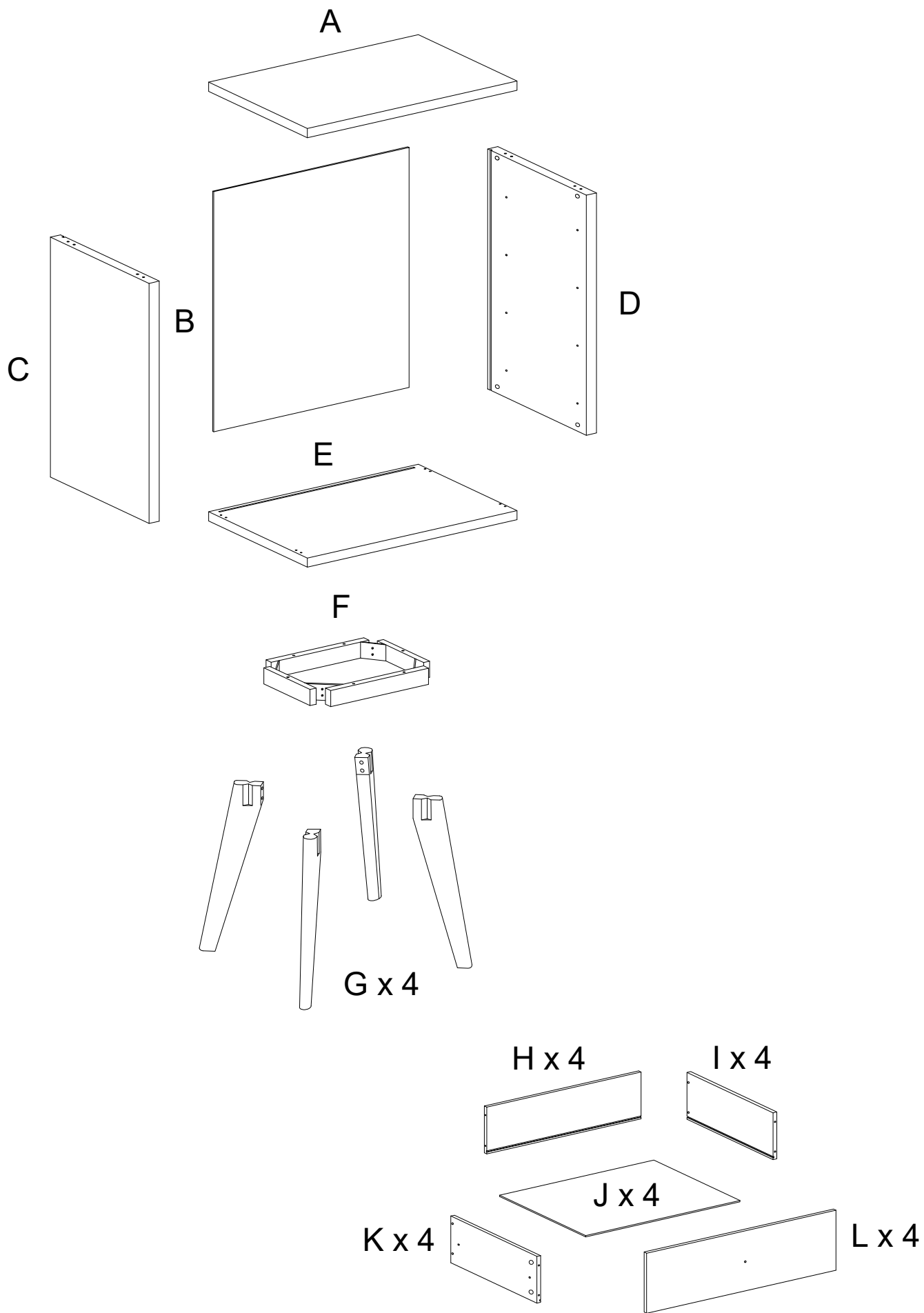
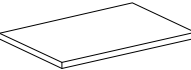
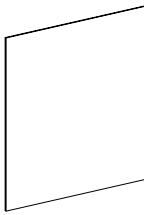
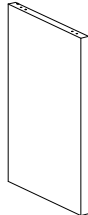

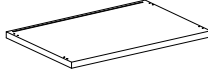
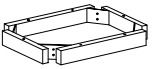
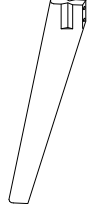

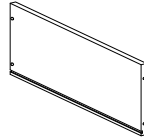

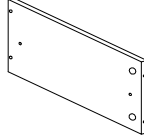
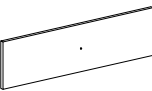

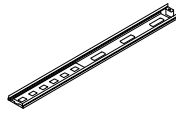
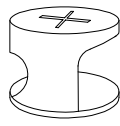

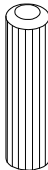
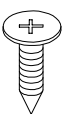
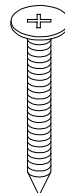
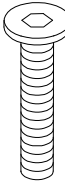
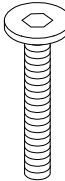
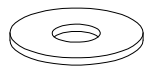
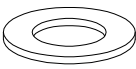
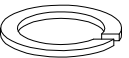

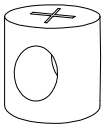
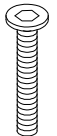
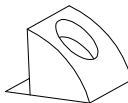
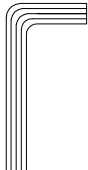




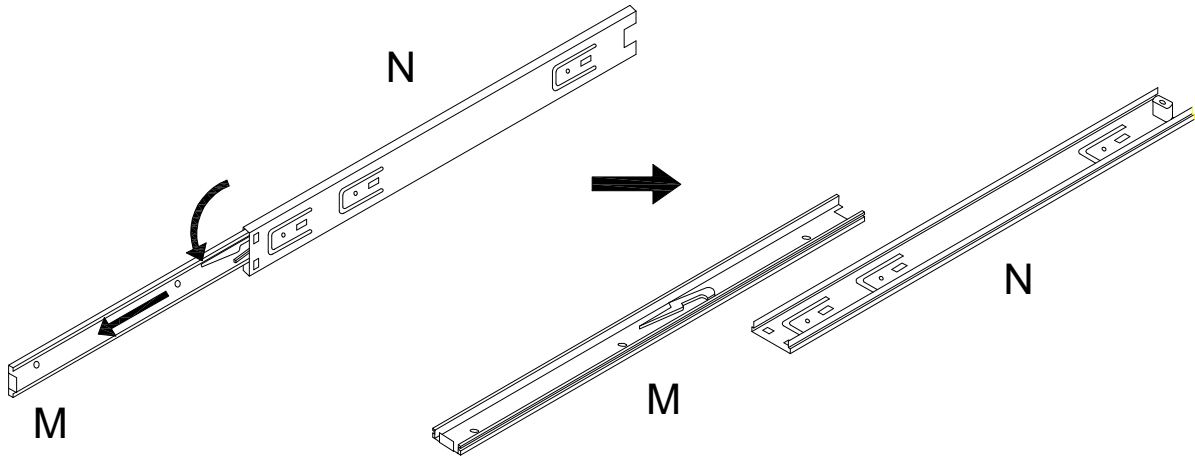
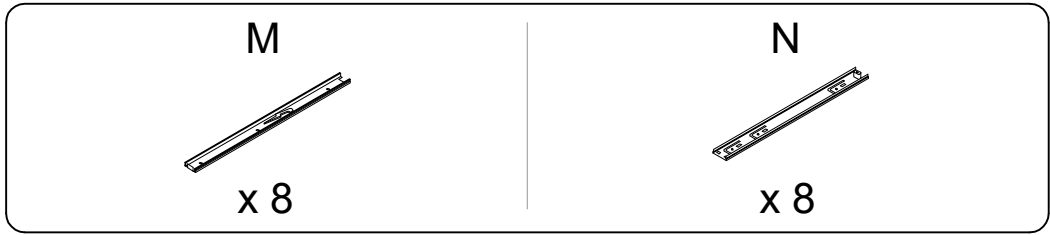
Assembly instructions for step 1/10:

- Tools:** An icon in a circle shows an Allen key and a screwdriver. A power drill is shown with a diagonal line through it, indicating it should not be used.
- Warning:** A triangle with an exclamation mark indicates a warning.
- Time:** A clock icon indicates a time requirement of 70 minutes.
- Personnel:** An icon of a person indicates that 2 people are required for assembly.

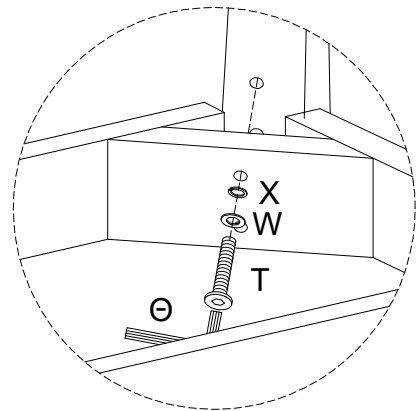
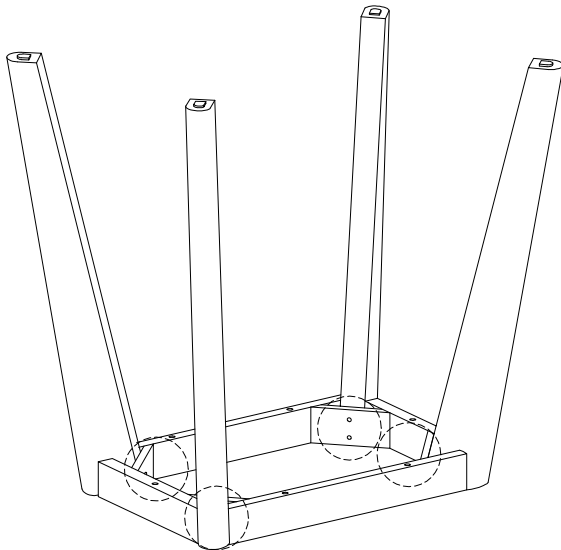
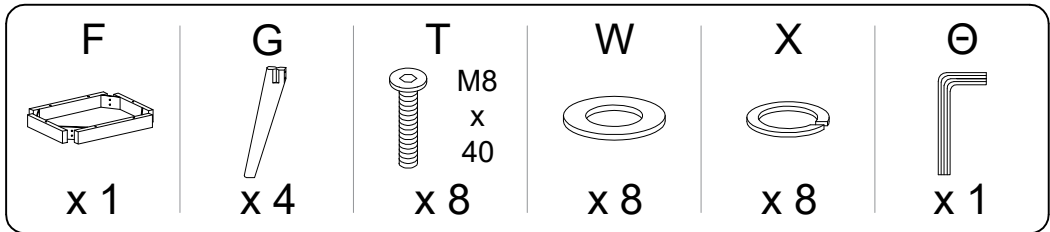


<p>A</p>  <p>x 1</p>	<p>B</p>  <p>x 1</p>	<p>C</p>  <p>x 1</p>	<p>D</p>  <p>x 1</p>	<p>E</p>  <p>x 1</p>	
<p>F</p>  <p>x 1</p>	<p>G</p>  <p>x 4</p>	<p>H</p>  <p>x 4</p>	<p>I</p>  <p>x 4</p>	<p>J</p>  <p>x 4</p>	<p>K</p>  <p>x 4</p>
<p>L</p>  <p>x 4</p>	<p>M</p>  <p>x 8</p>	<p>N</p>  <p>x 8</p>	<p>O</p>  <p>x 24</p>	<p>P</p>  <p>M6 x 35</p> <p>x 24</p>	<p>Q</p>  <p>Ø8 x 40</p> <p>x 8</p>
<p>R</p>  <p>3.5 x 15</p> <p>x 36</p>	<p>S</p>  <p>3.5 x 40</p> <p>x 16</p>	<p>T</p>  <p>M8 x 40</p> <p>x 8</p>	<p>U</p>  <p>M6 x 40</p> <p>x 6</p>	<p>V</p>  <p>x 6</p>	<p>W</p>  <p>x 8</p>
<p>X</p>  <p>x 8</p>	<p>Y</p>  <p>x 4</p>	<p>Z</p>  <p>x 16</p>	<p>Г</p>  <p>M4 x 25</p> <p>x 4</p>	<p>Δ</p>  <p>x 4</p>	<p>Θ</p>  <p>x 1</p>

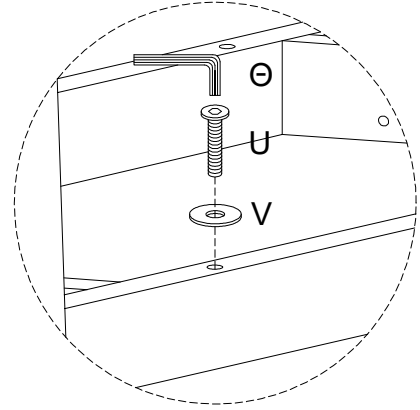
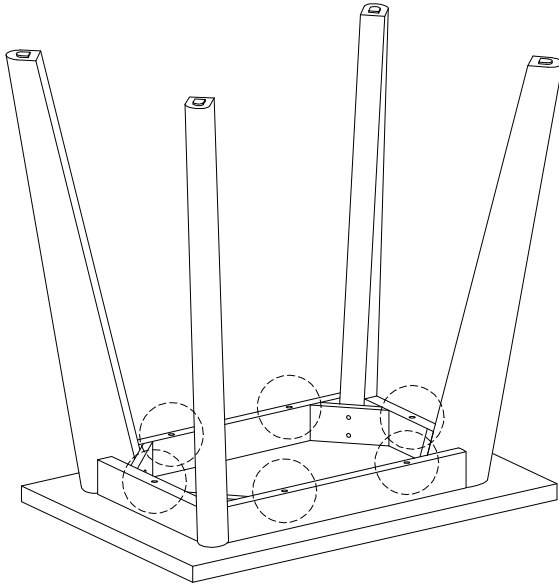
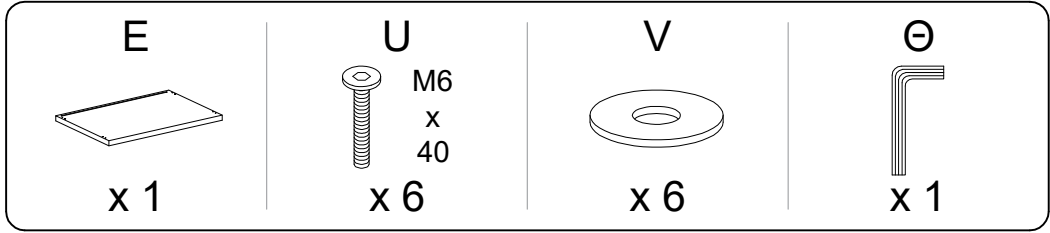
1



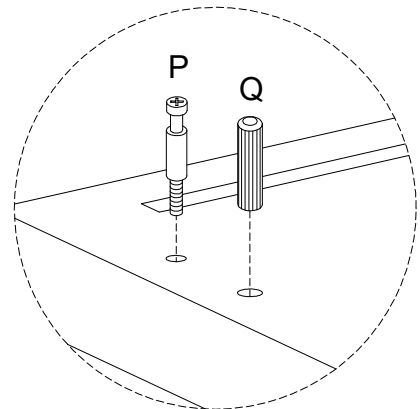
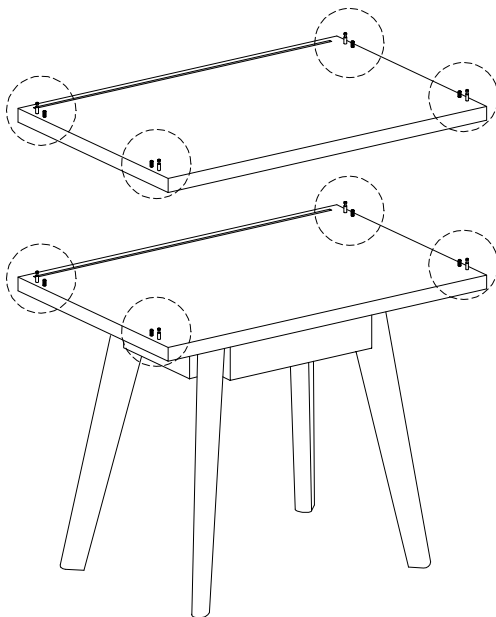
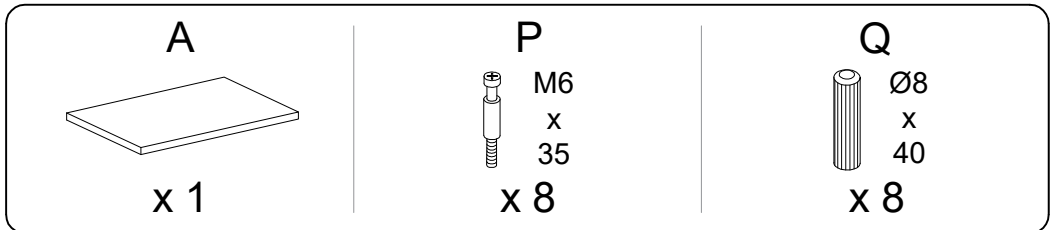
2



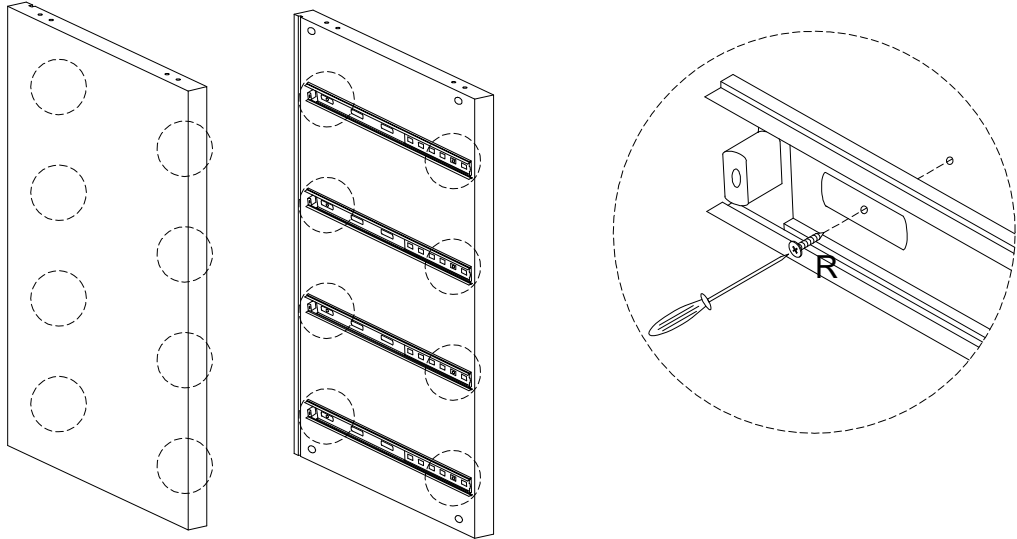
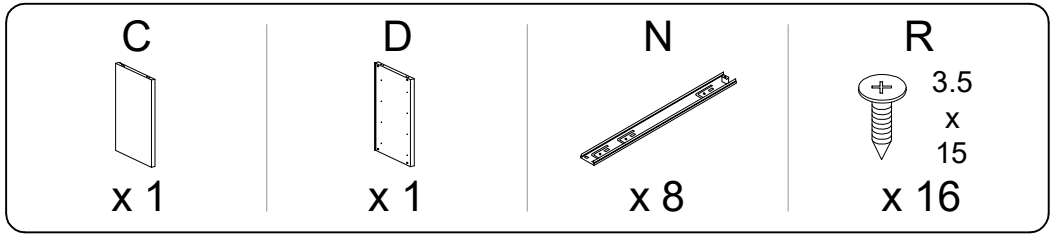
3



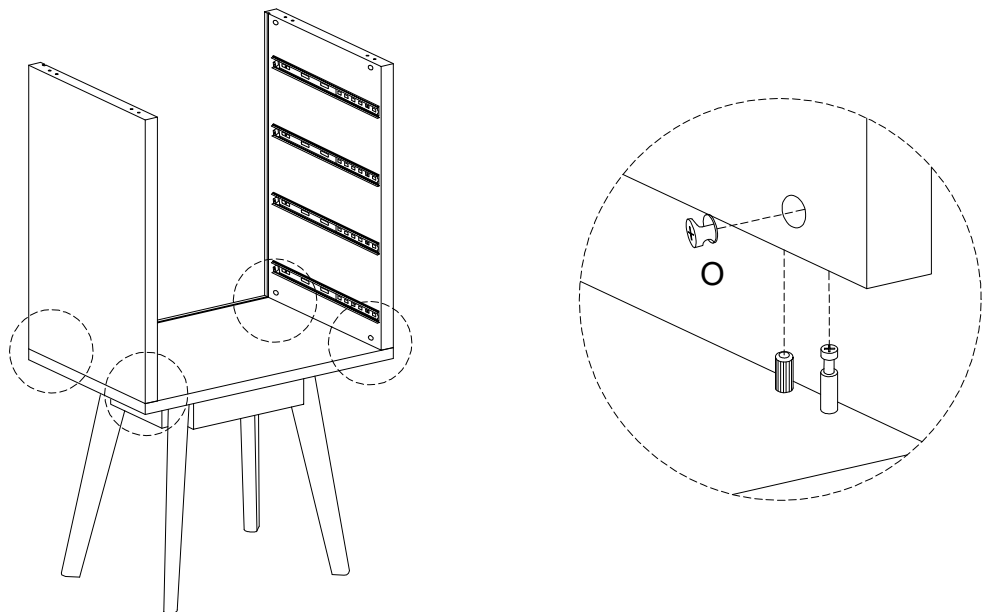
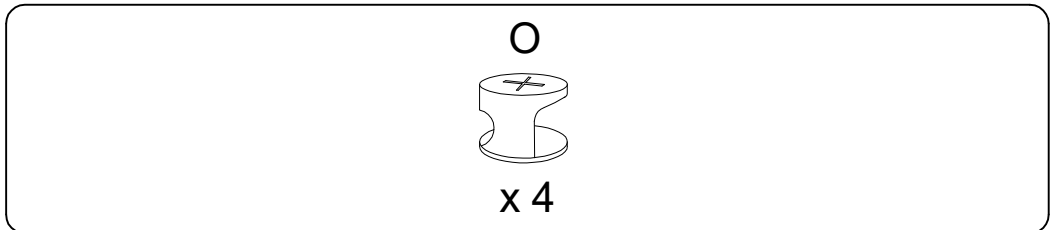
4



5



6

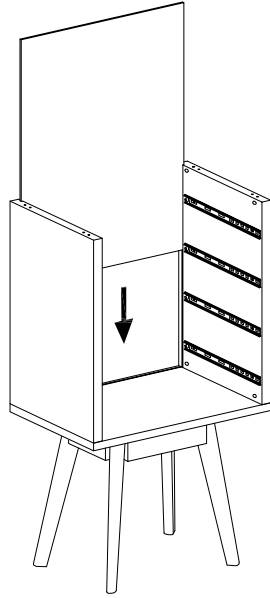


7

B



x 1

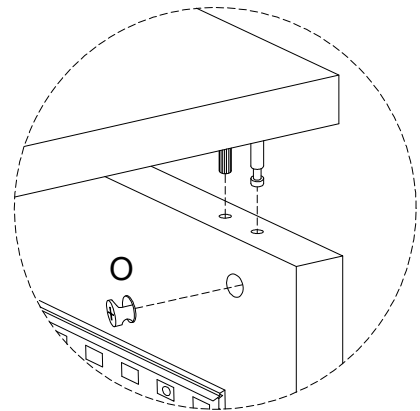
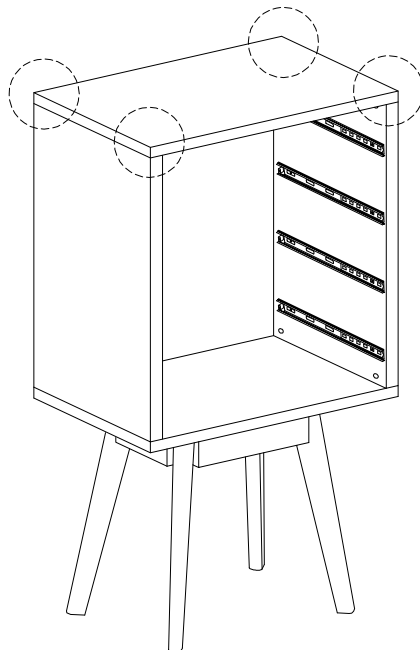


8

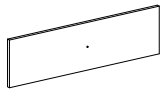

O

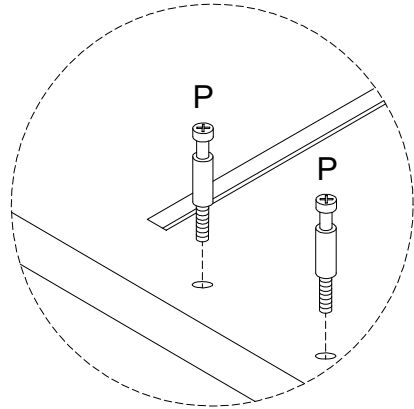
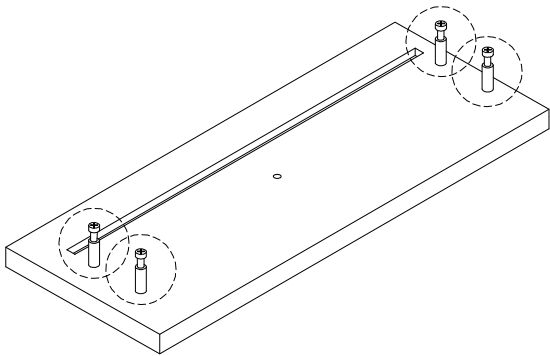


x 4

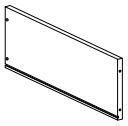
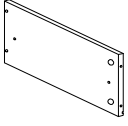
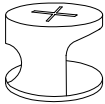


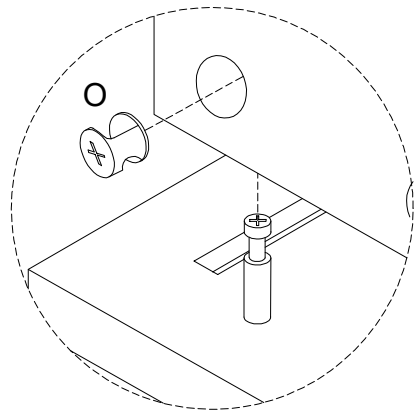
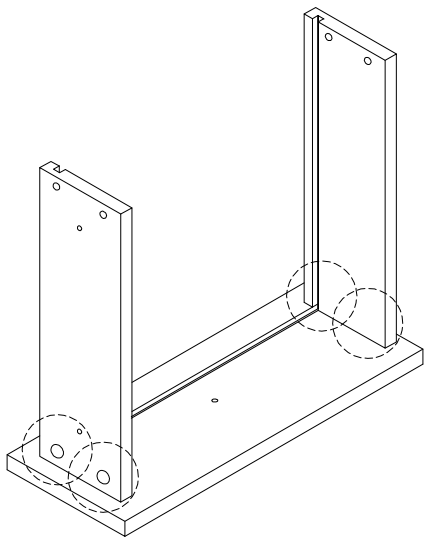
9 x 4

<p>L</p>  <p>x 1</p>	<p>P</p>  <p>M6 x 35</p> <p>x 4</p>
---	--



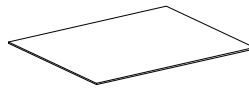
10 x 4

<p>I</p>  <p>x 1</p>	<p>K</p>  <p>x 1</p>	<p>O</p>  <p>x 4</p>
---	---	---

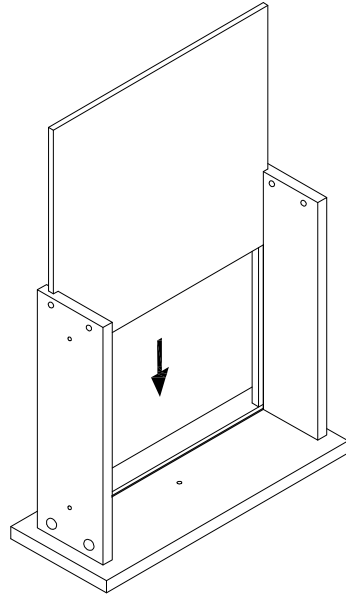


11 x 4

J



x 1



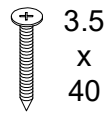
12 x 4

H



x 1

S

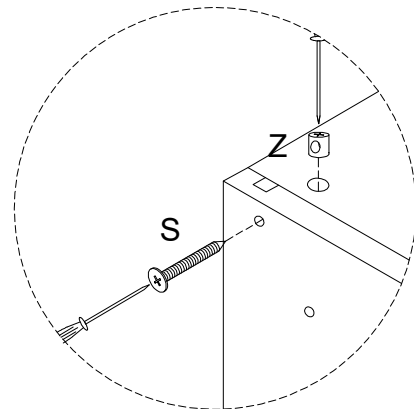
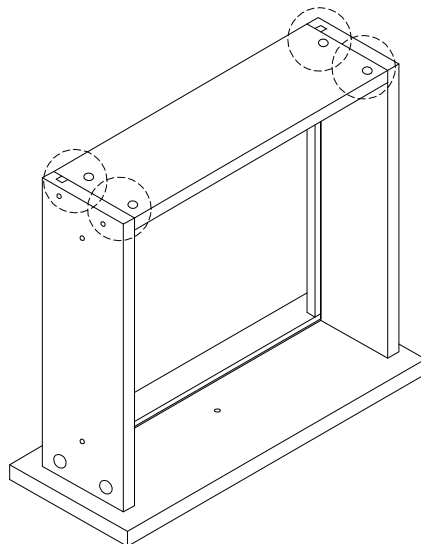


x 4

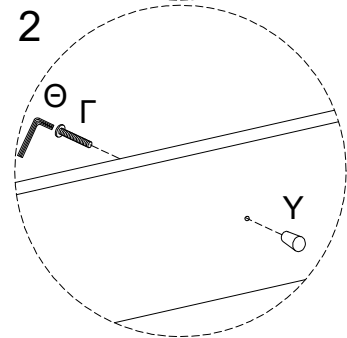
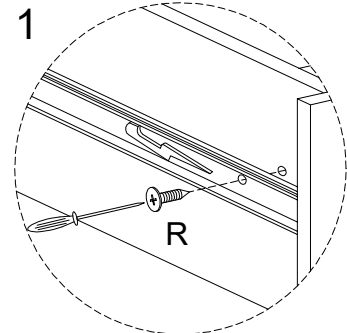
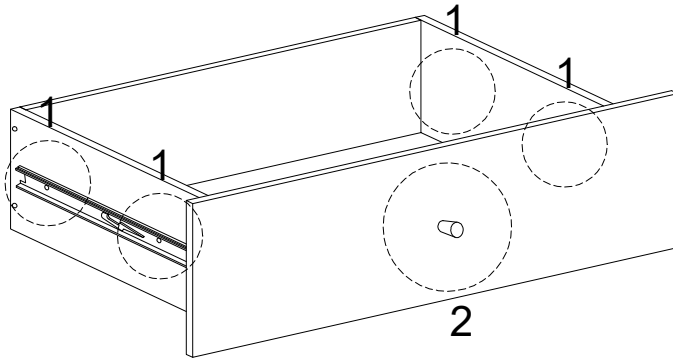
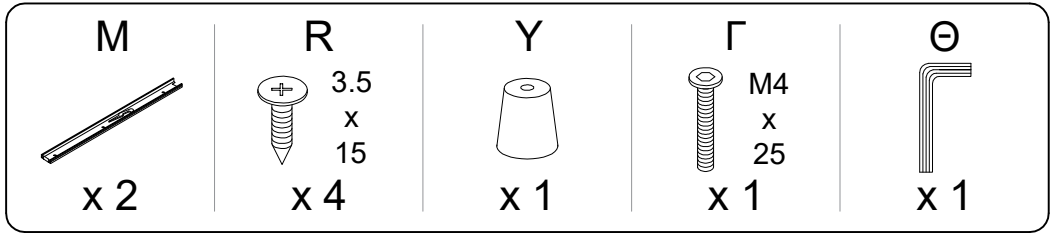
Z



x 4



13 x 4



14

