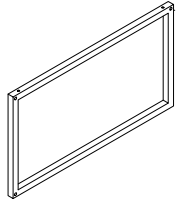
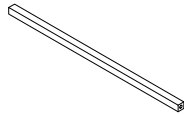
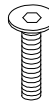
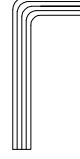
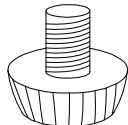
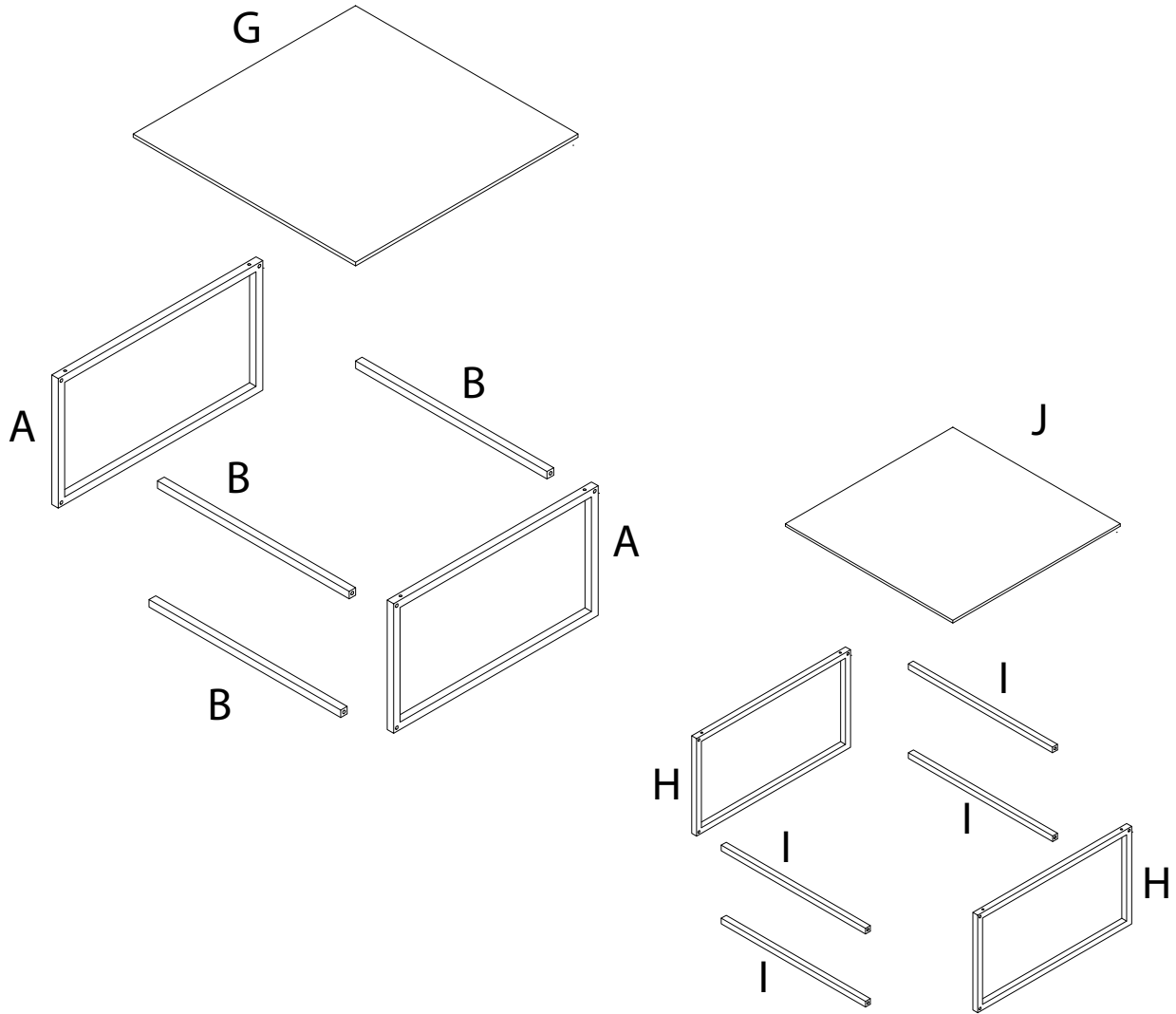
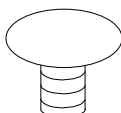
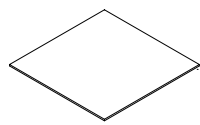
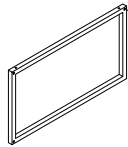
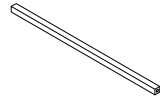
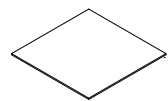


30'

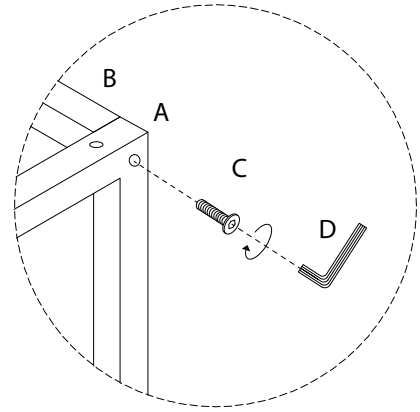
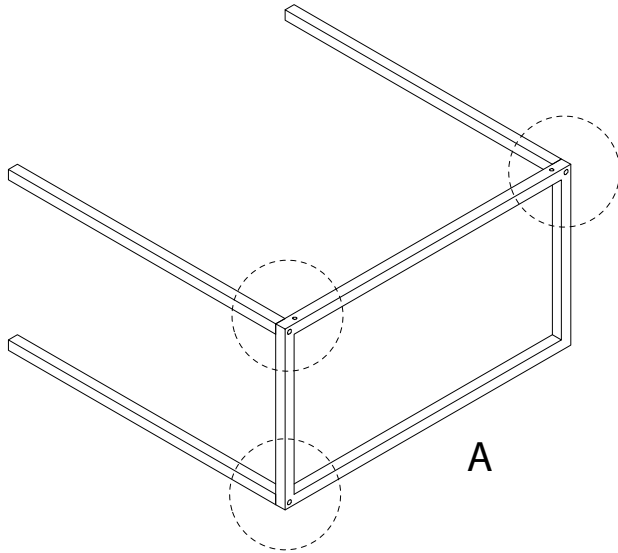
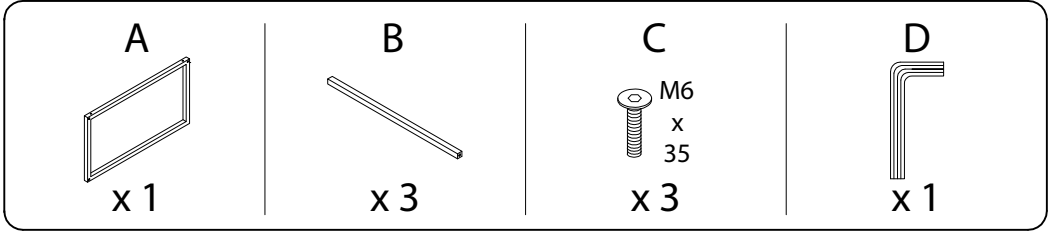
1

<p>A</p>  <p>x 2</p>	<p>B</p>  <p>x 3</p>	<p>C</p>  <p>M6 x 35</p> <p>x 14</p>	<p>D</p>  <p>x 1</p>	<p>E</p>  <p>x 8</p>
---	---	---	---	---

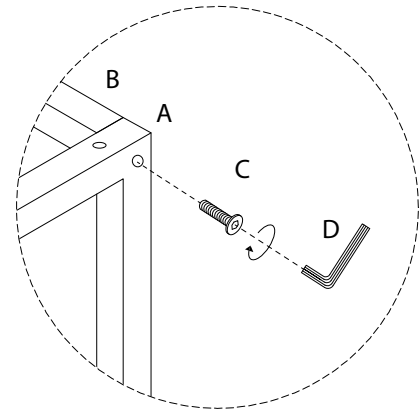
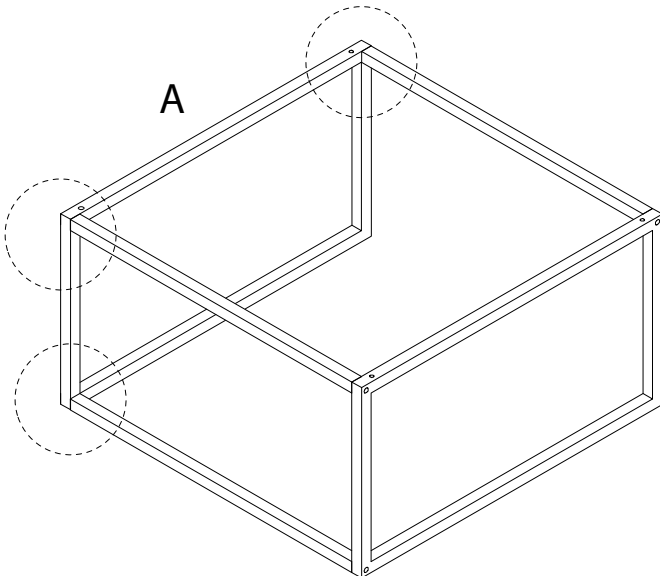
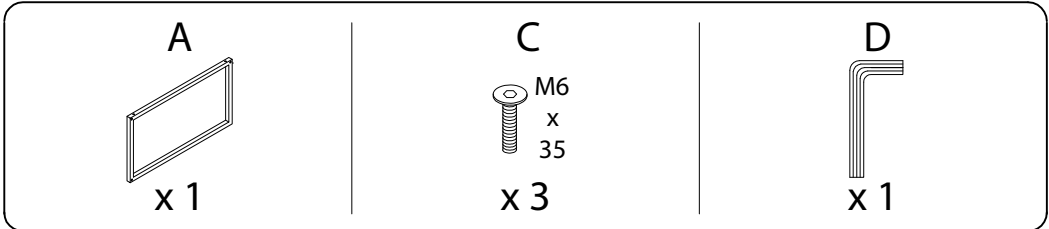


<p>F</p>  <p>x 8</p>	<p>G</p>  <p>x 1</p>	<p>H</p>  <p>x 2</p>	<p>I</p>  <p>x 4</p>	<p>J</p>  <p>x 1</p>
---	---	---	--	---

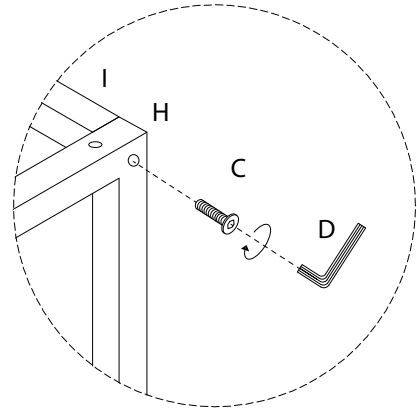
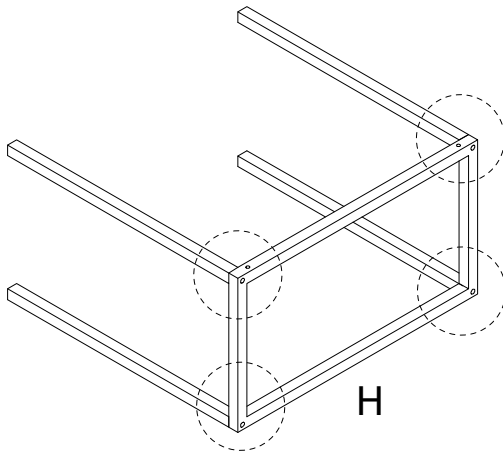
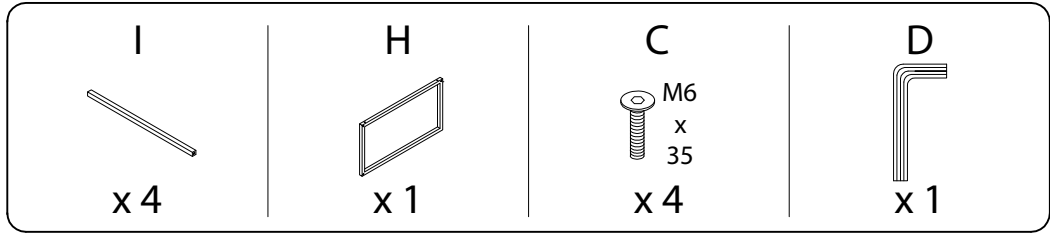
1



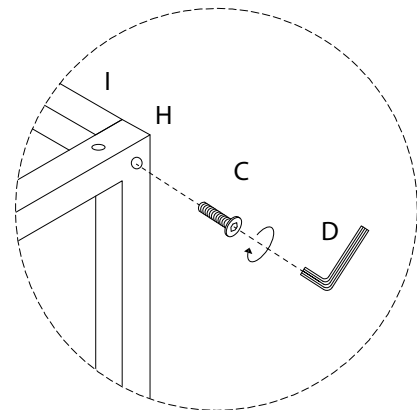
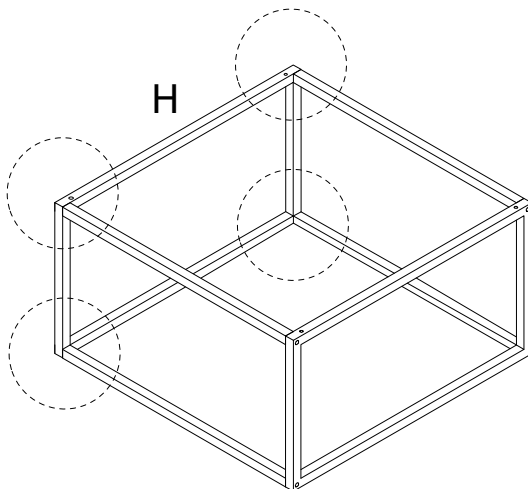
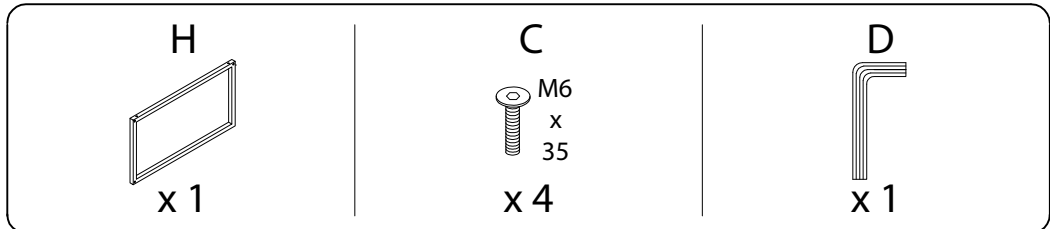
2



3

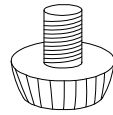


4

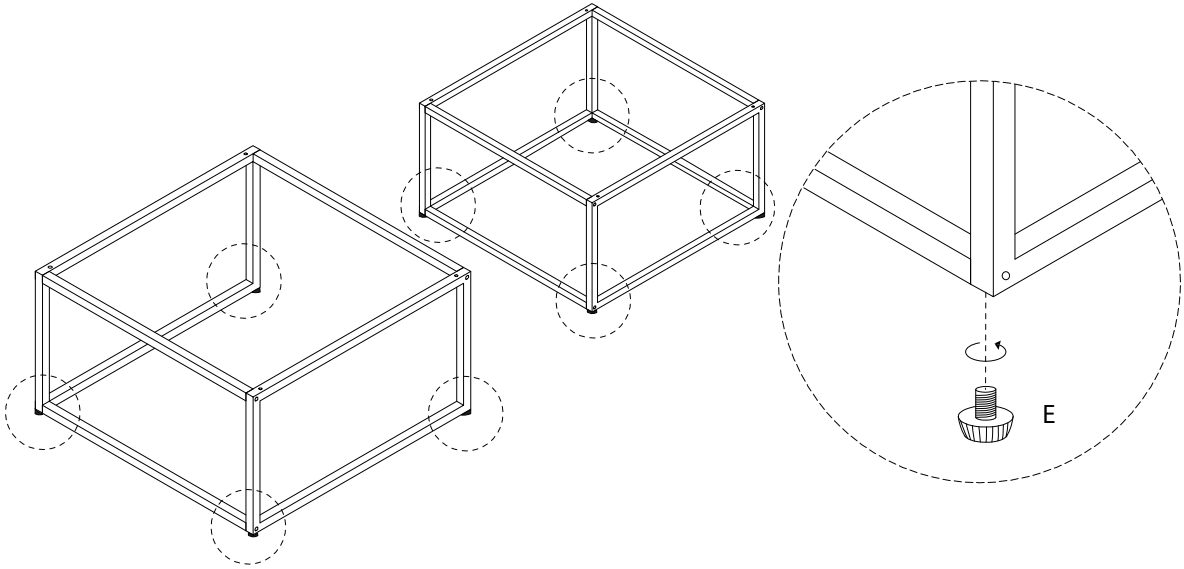


5

E



x 8

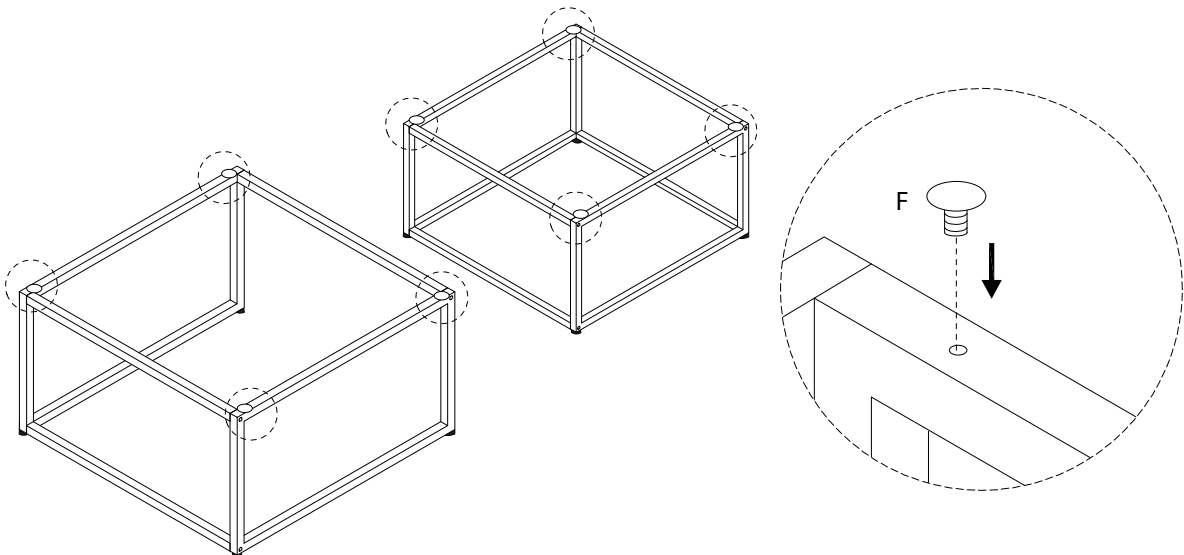


6

F



x 8



7

