
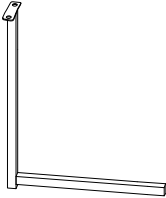
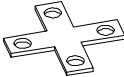
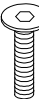
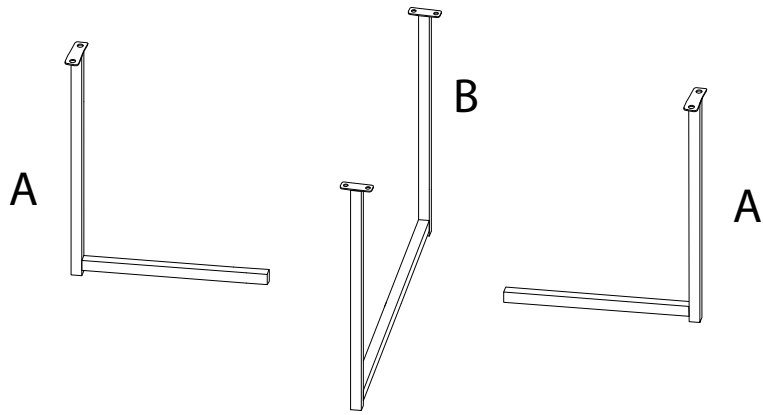
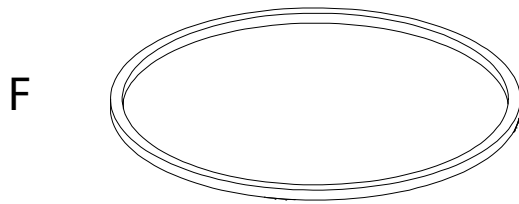
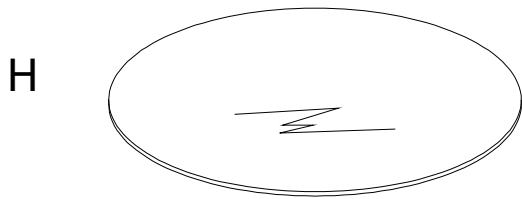

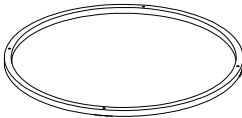

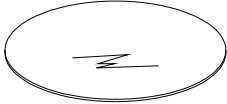


Diagram illustrating assembly steps and safety warnings:

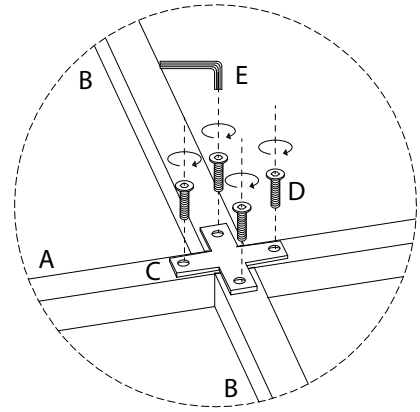
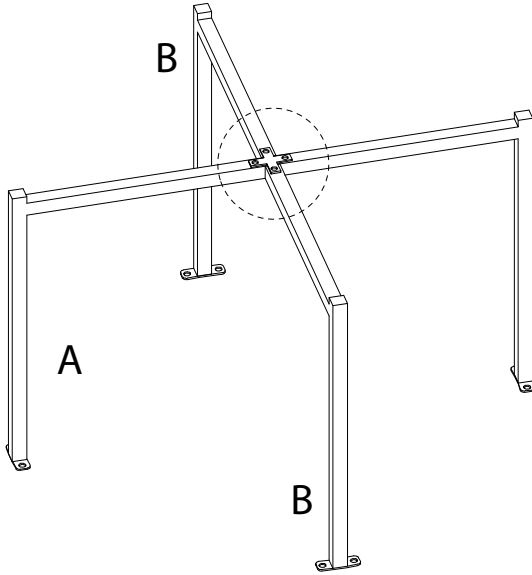
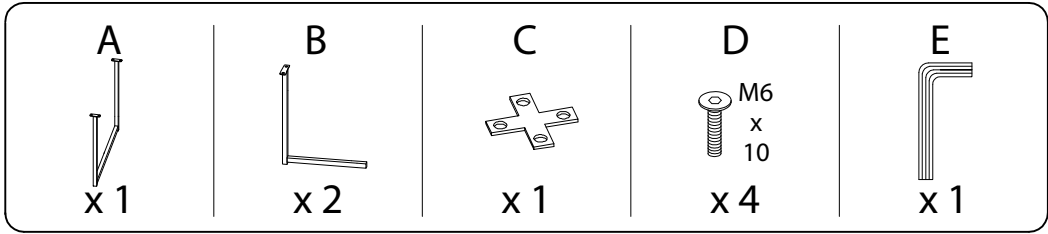
- Step 1:** Shows an L-shaped metal bracket and a power drill with a slash through it, indicating that a power drill should not be used. A warning triangle with an exclamation mark is present.
- Step 2:** Shows a rectangular block being placed on a surface and a diagram of the block being secured with a screw. A warning triangle with an exclamation mark is present.
- Time:** A clock icon indicates a duration of **30'**.
- Personnel:** A person icon indicates that **1** person is required.

<p>A</p>  <p>x 1</p>	<p>B</p>  <p>x 2</p>	<p>C</p>  <p>x 1</p>	<p>D</p>  <p>M6 x 10</p> <p>x 12</p>
---	---	--	---

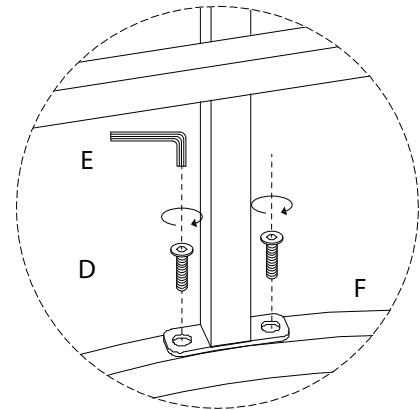
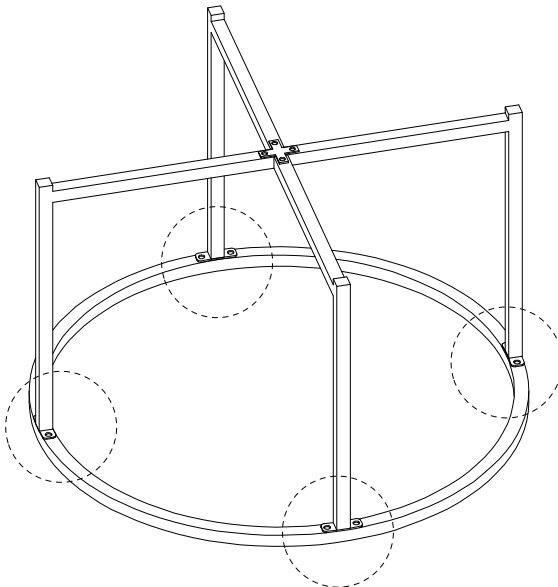
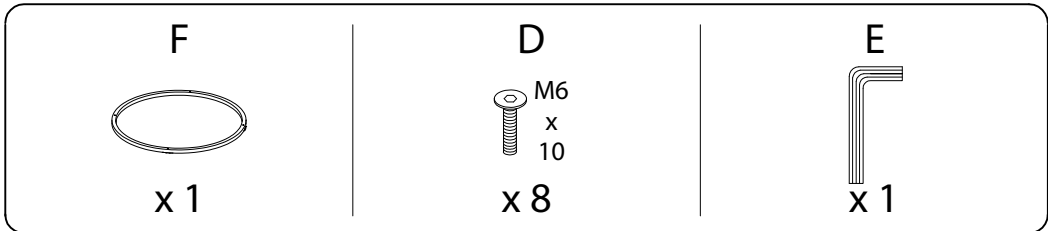


<p>E</p>  <p>x 1</p>	<p>F</p>  <p>x 1</p>	<p>G</p>  <p>x 4</p>	<p>H</p>  <p>x 1</p>
---	---	--	---

1



2

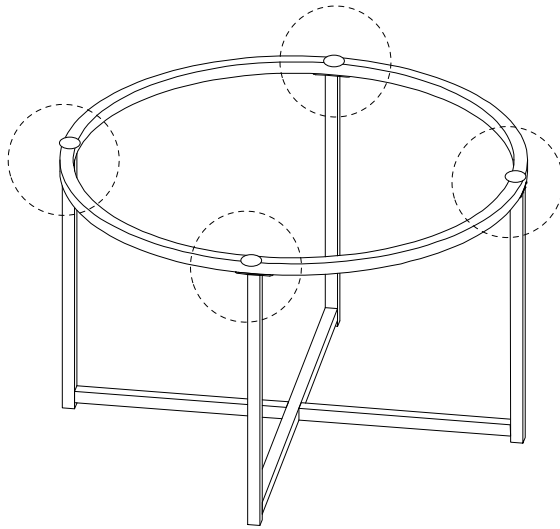


3

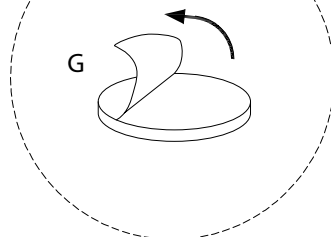
G



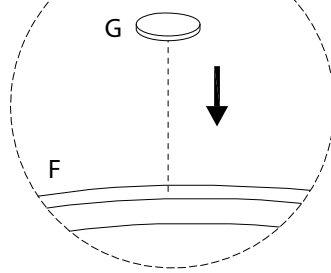
x 4



1a

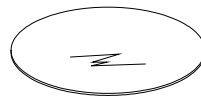


1b



4

H



x 1

