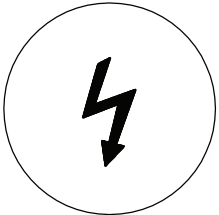


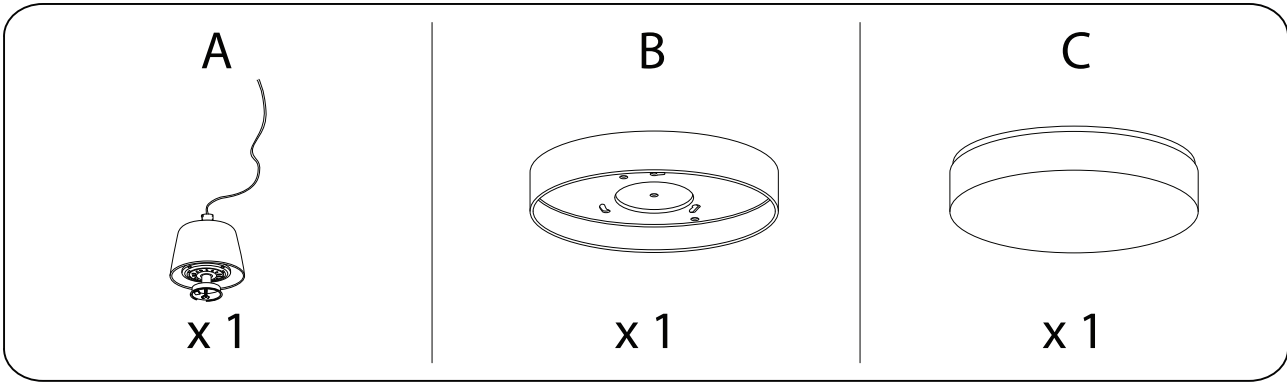
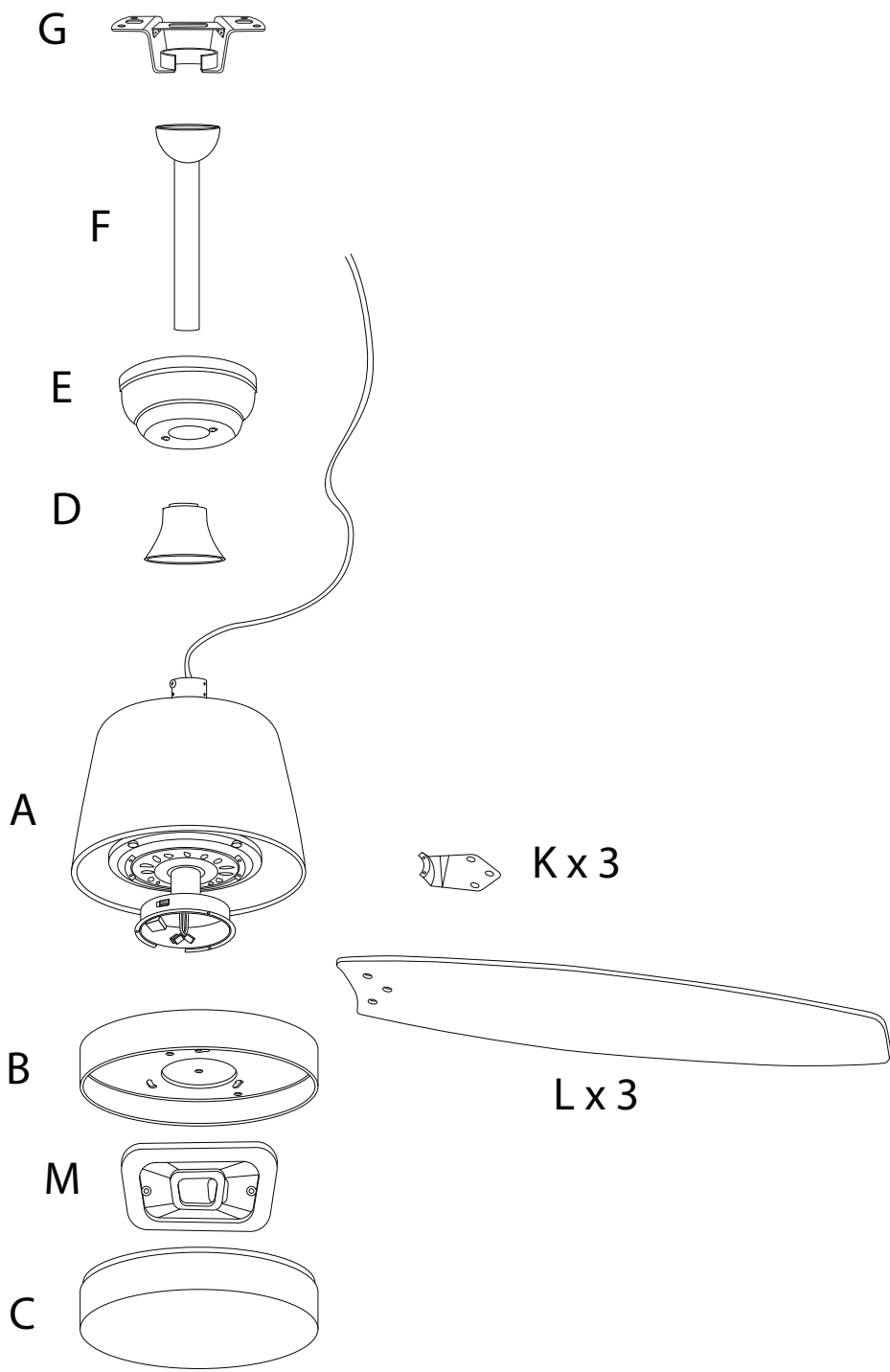

		<b>60'</b>
		
		<b>1</b>

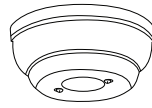


D



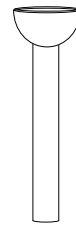
x 1

E



x 1

F



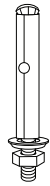
x 1

G



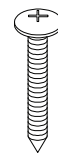
x 1

H



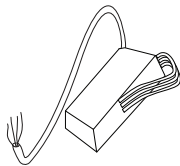
x 2

I



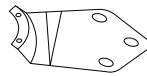
x 4

J



x 1

K



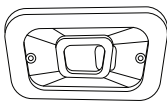
x 3

L



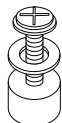
x 3

M



x 1

N



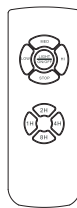
x 9

O

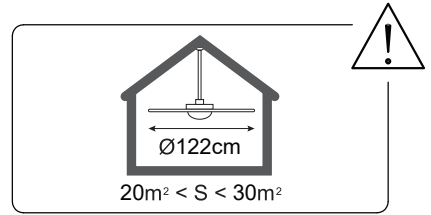
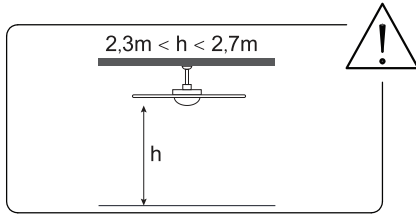
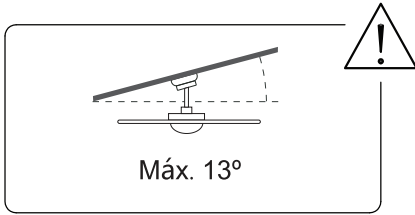
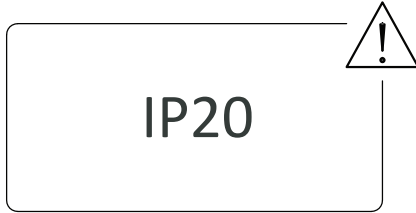
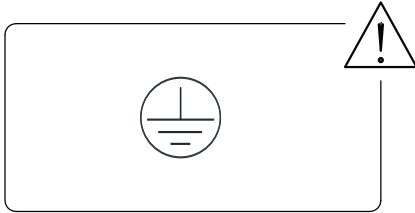
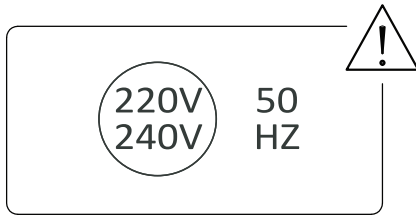


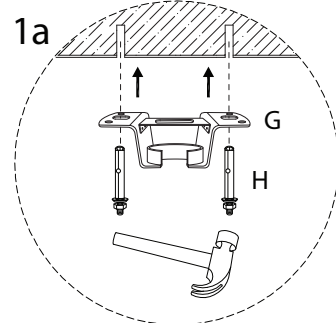
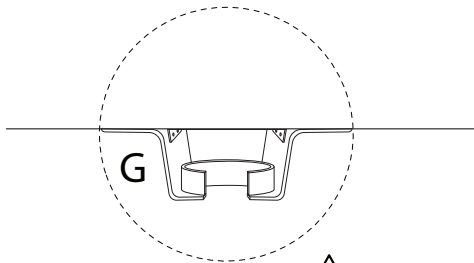
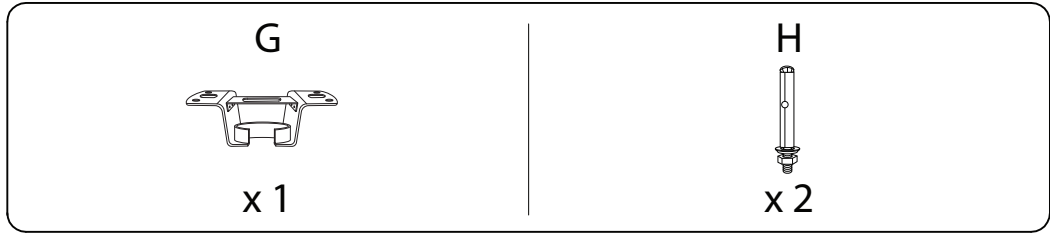
x 2

P

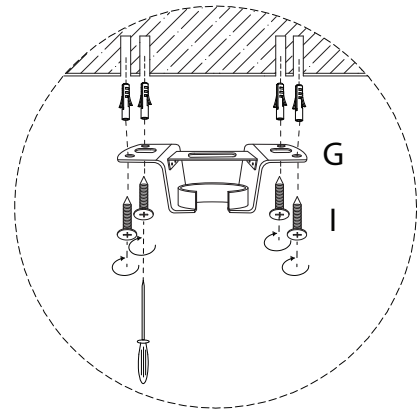
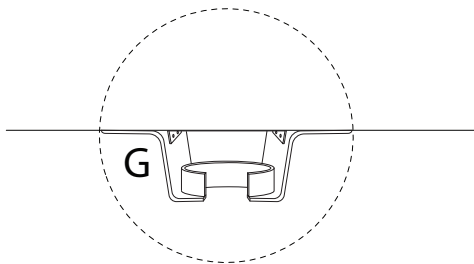
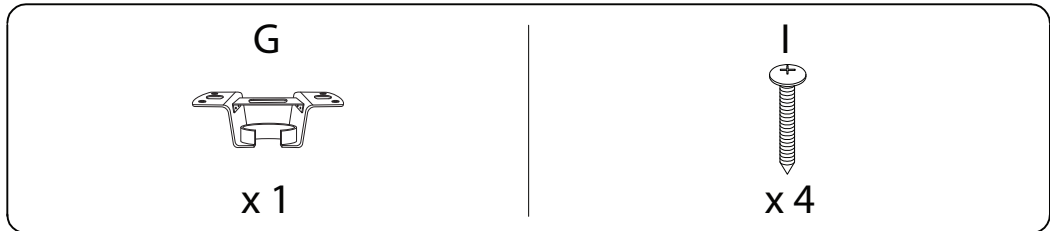
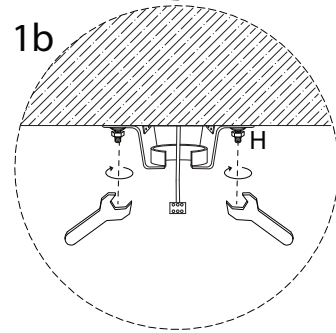
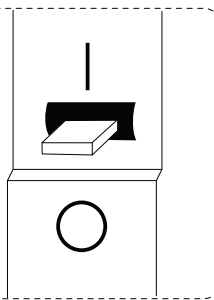


x 1

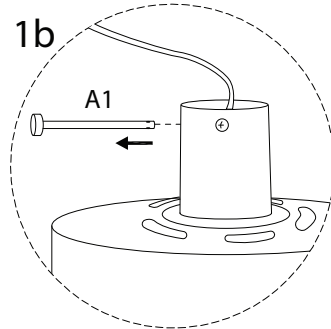
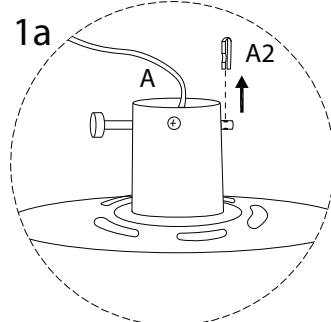
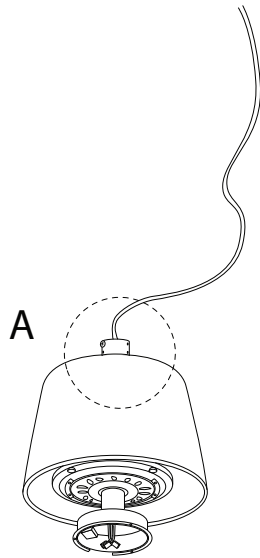




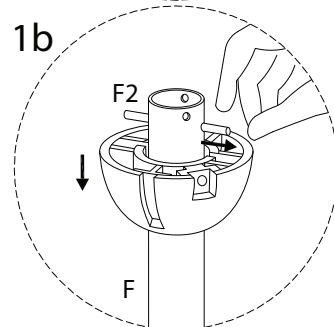
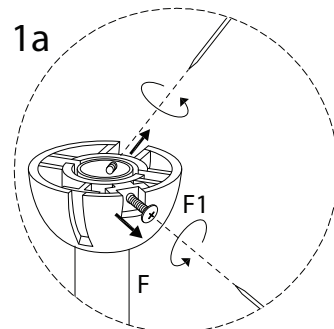
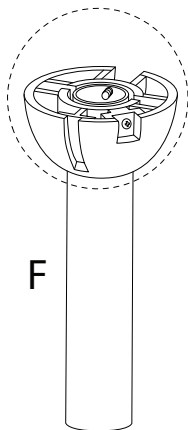
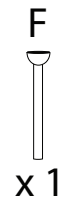
OFF



1



2



3

D

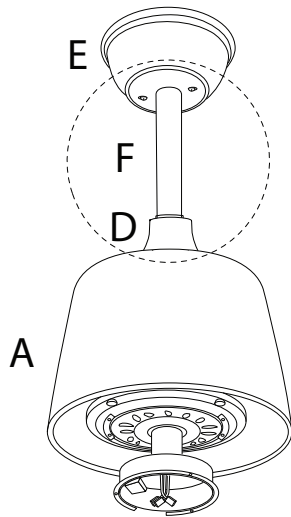


x 1

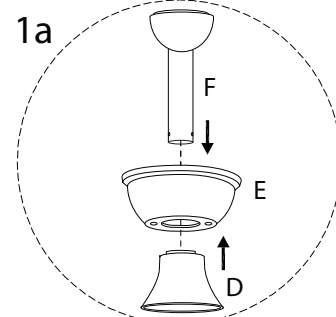
E



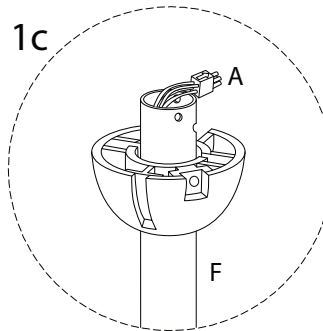
x 1



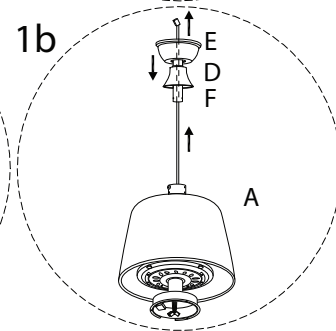
1a



1c



1b



4

F1

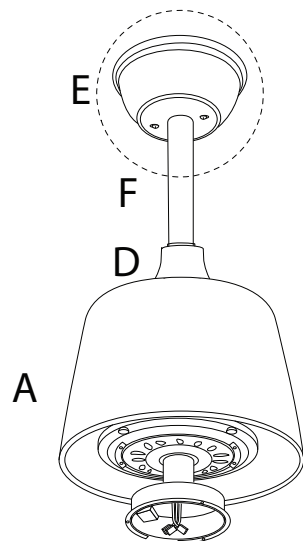


x 2

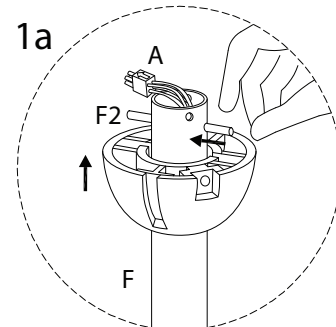
F2



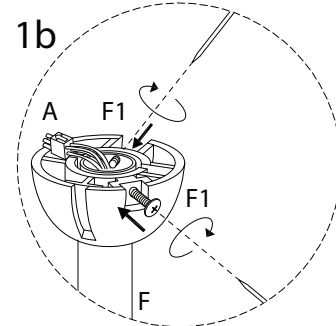
x 1



1a



1b



5

A1

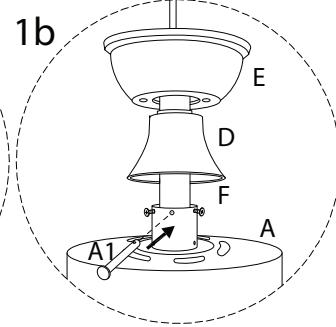
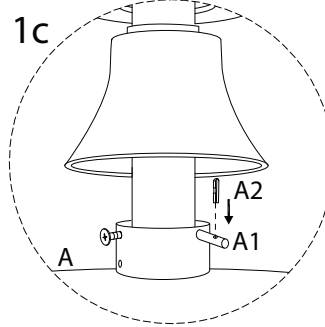
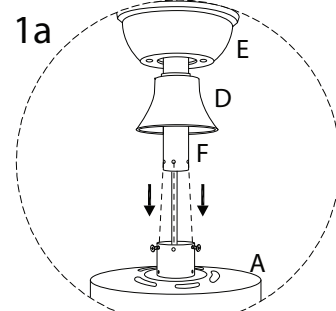
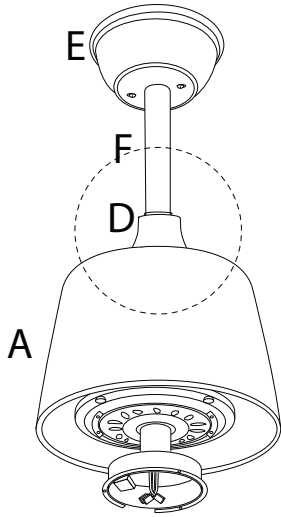


x 1

A2

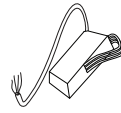


x 1

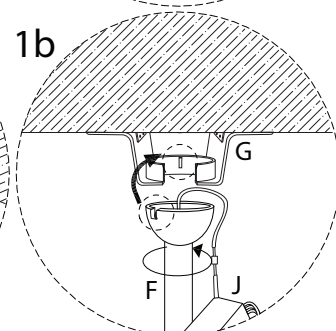
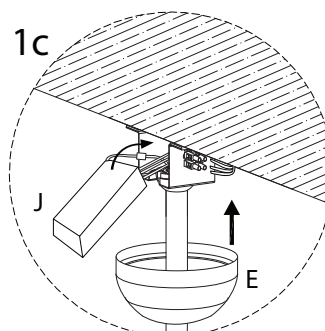
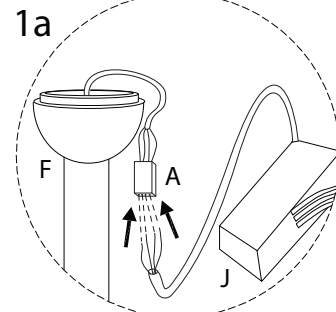
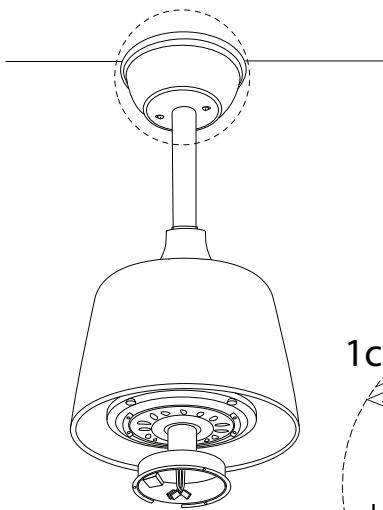


6

J



x 1



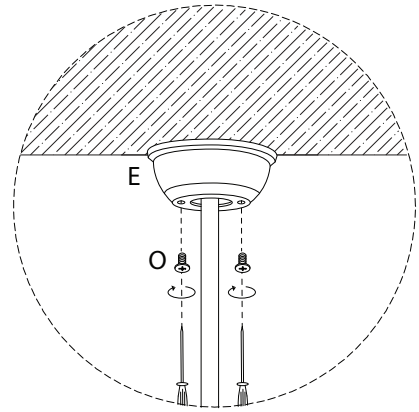
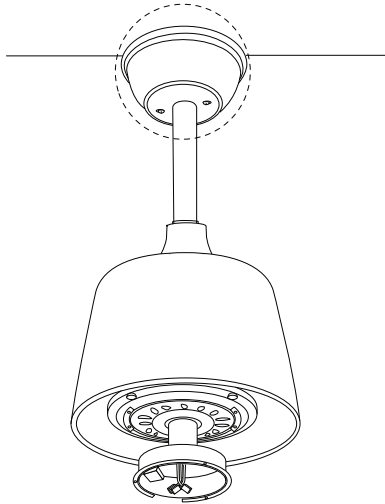


7

O

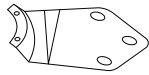


x 2



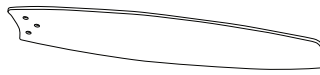
8

K



x 3

L

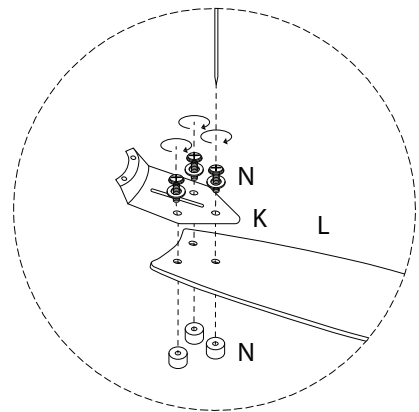
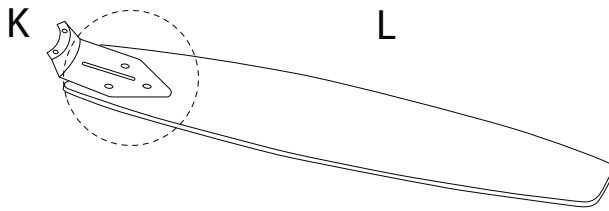


x 3

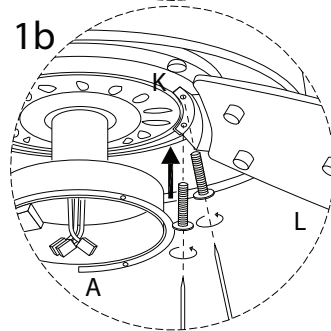
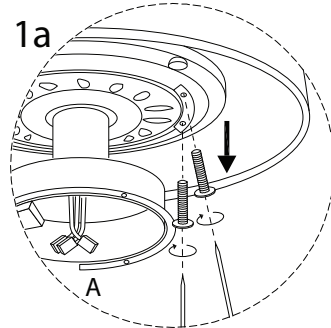
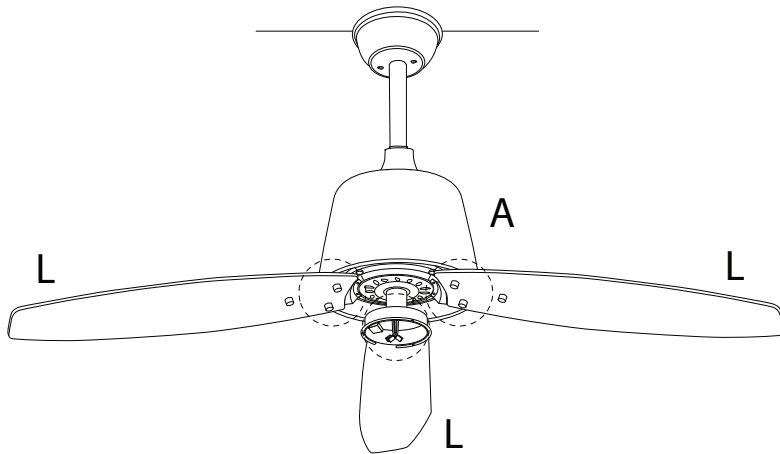
N



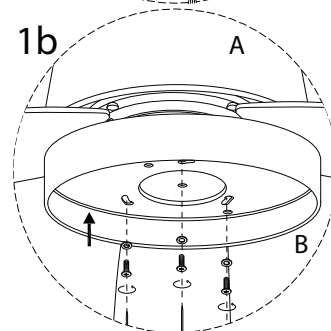
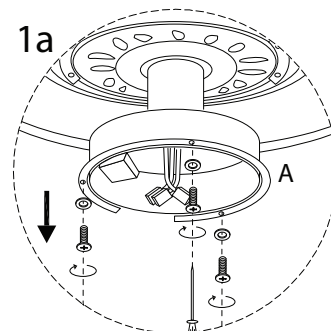
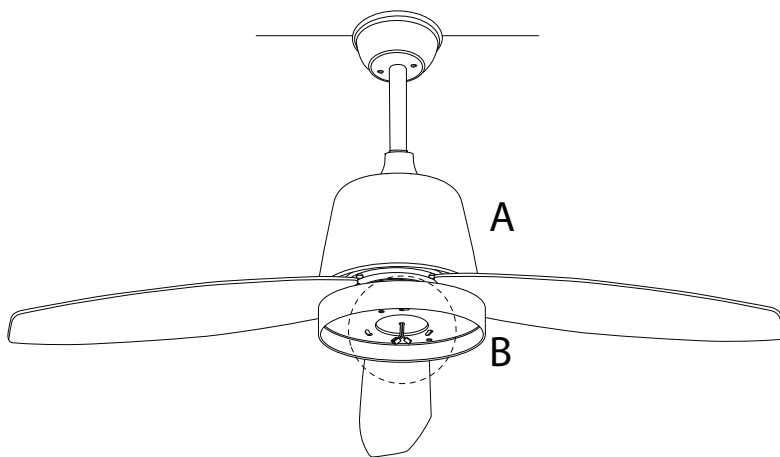
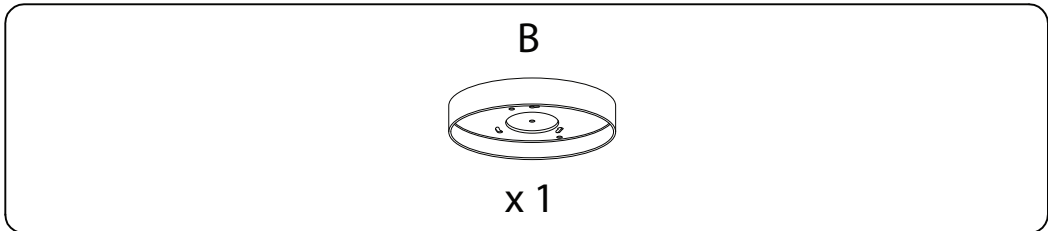
x 9



9



10



11

