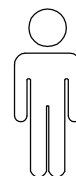
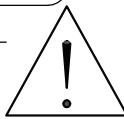
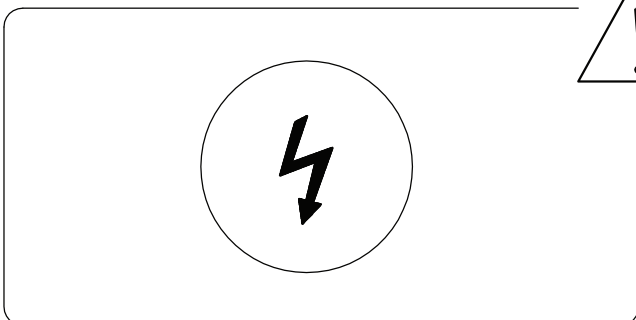
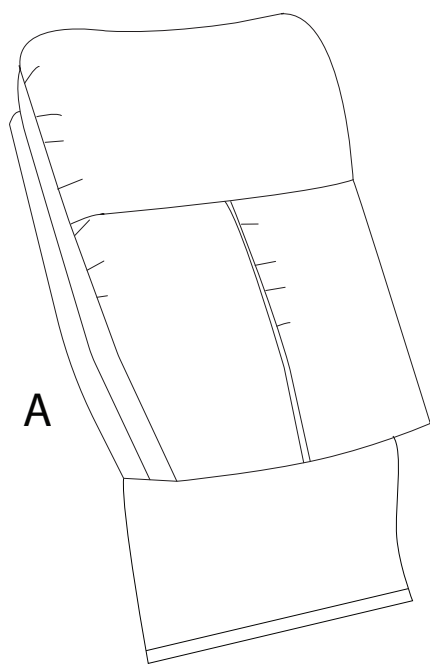


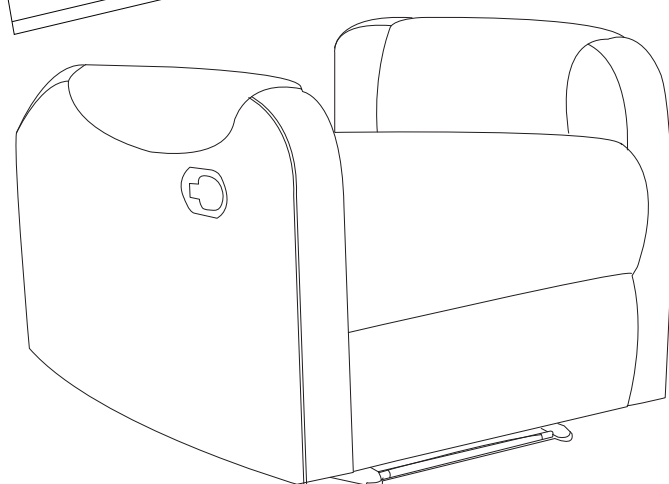
10'



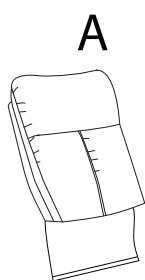
1



A

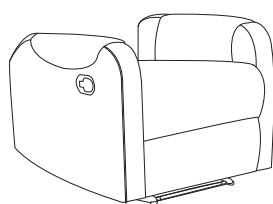


B



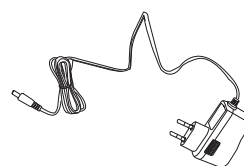
A

x 1



B

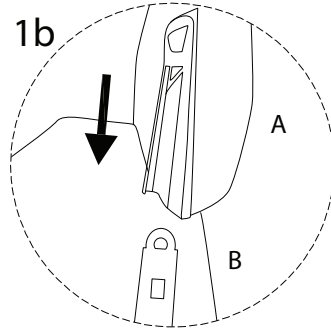
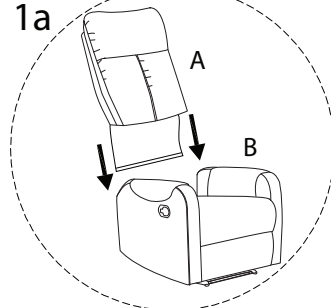
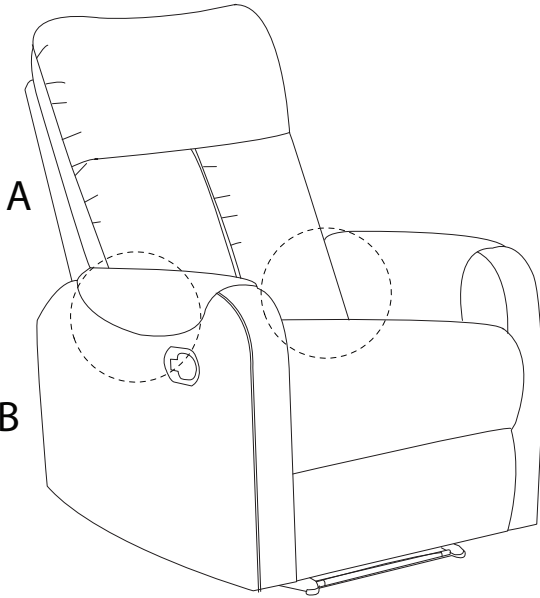
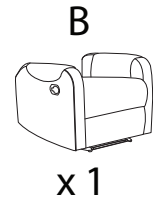
x 1



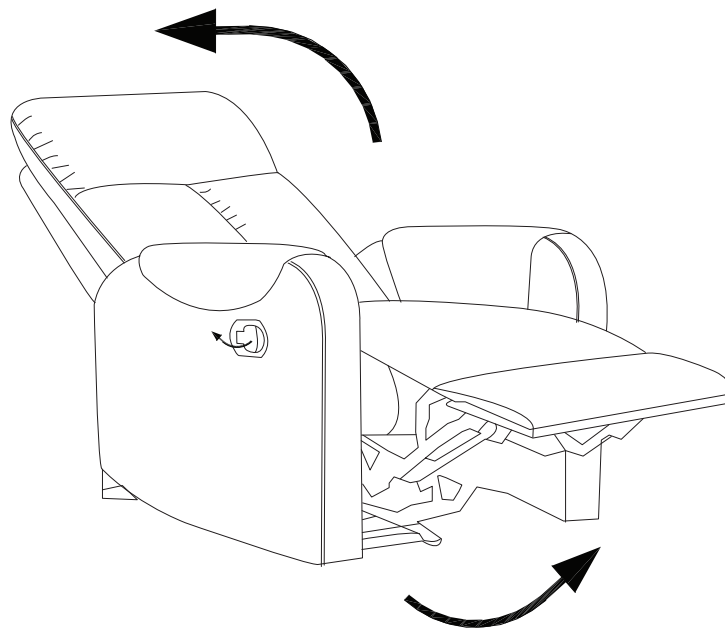
C

x 1

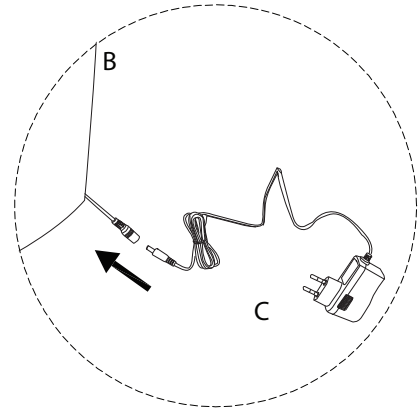
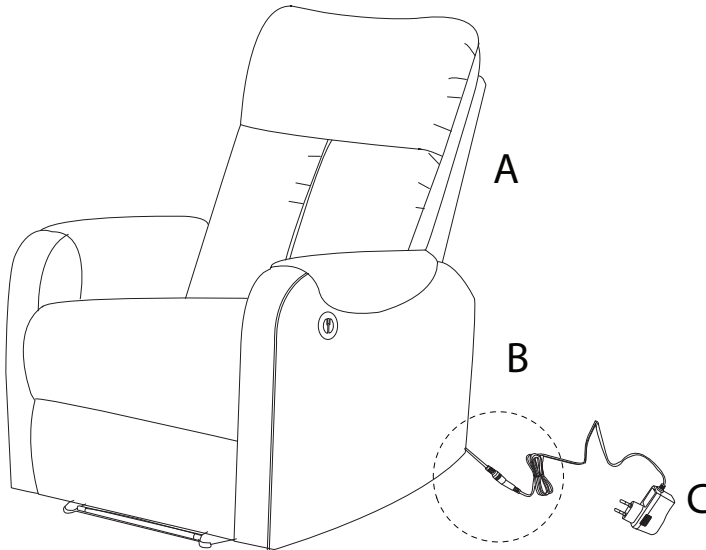
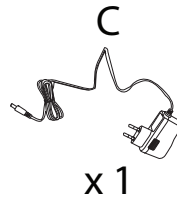
1



!



2



!

