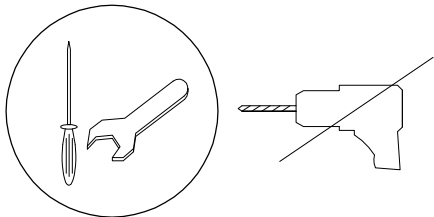
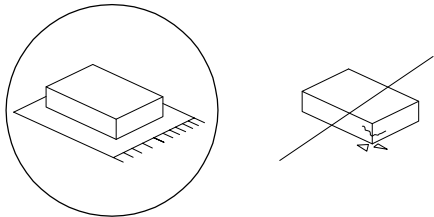
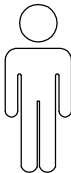


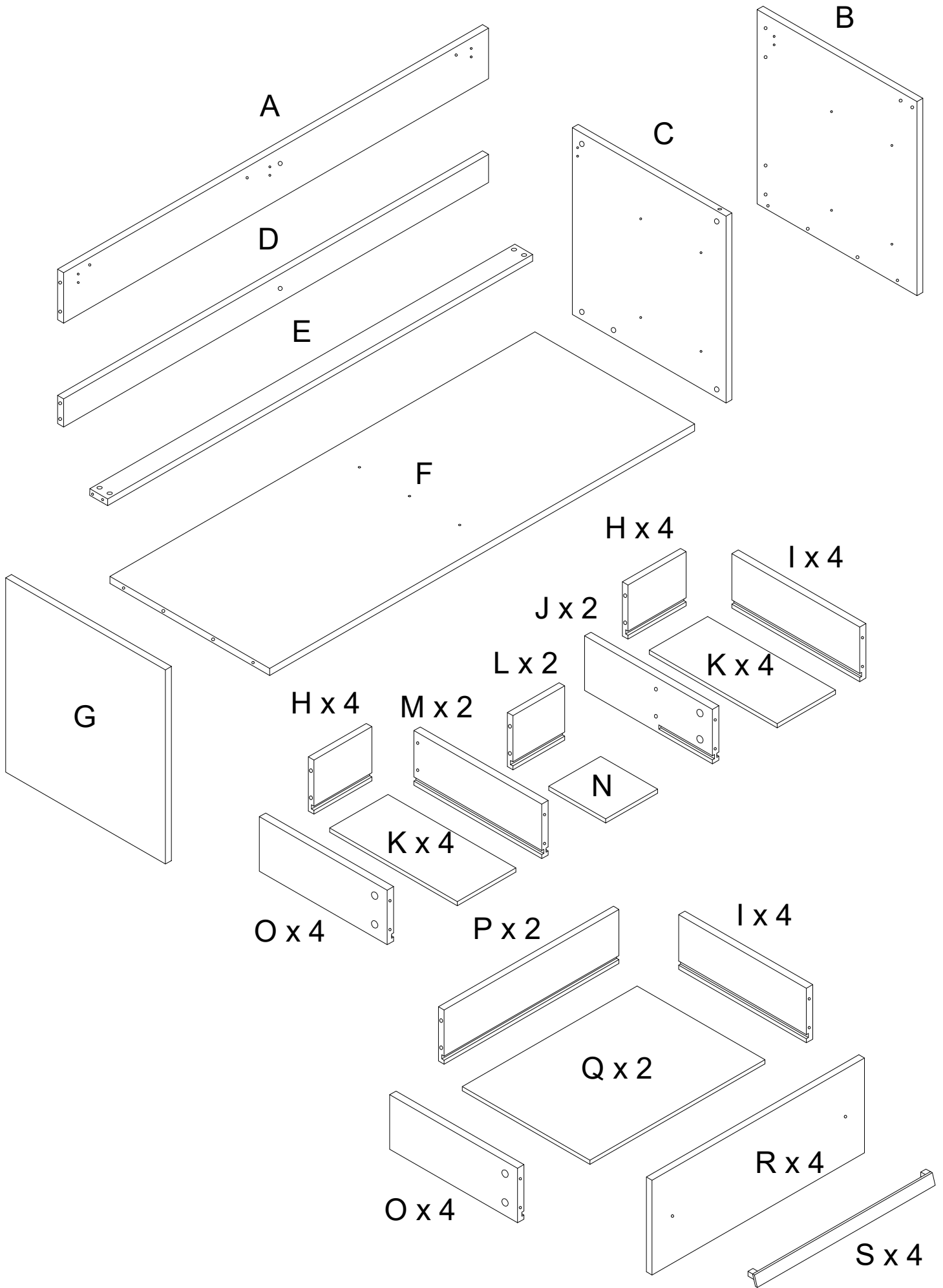
! 

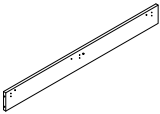
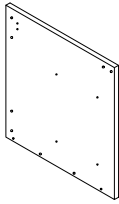
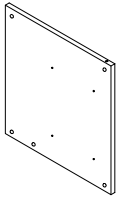
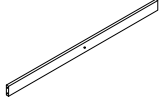
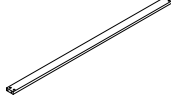
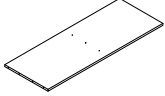
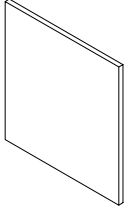
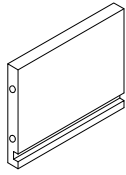
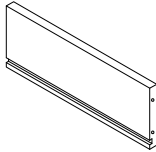
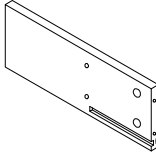
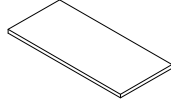
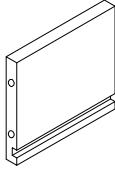
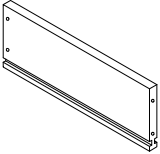
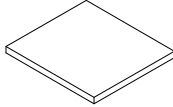
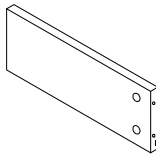
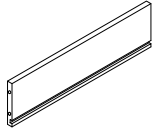
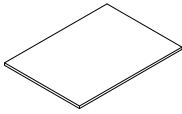
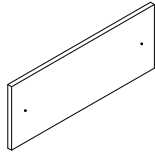
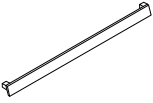


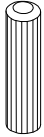
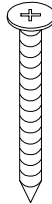
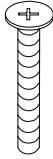
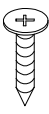
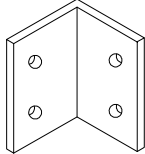
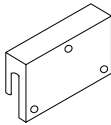
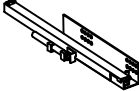
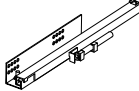
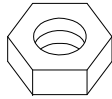
! 

90'

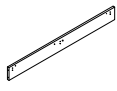
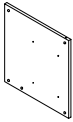
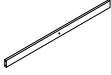
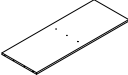

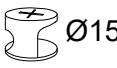
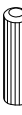

2

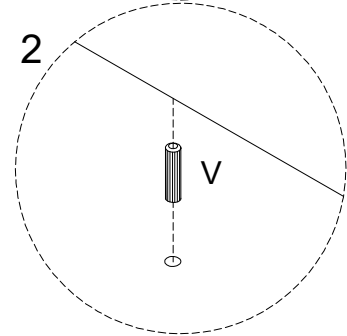
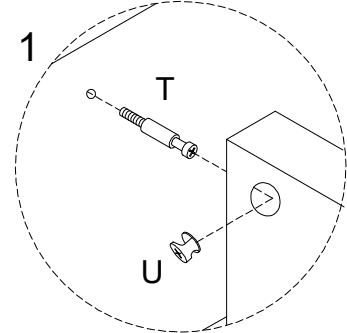
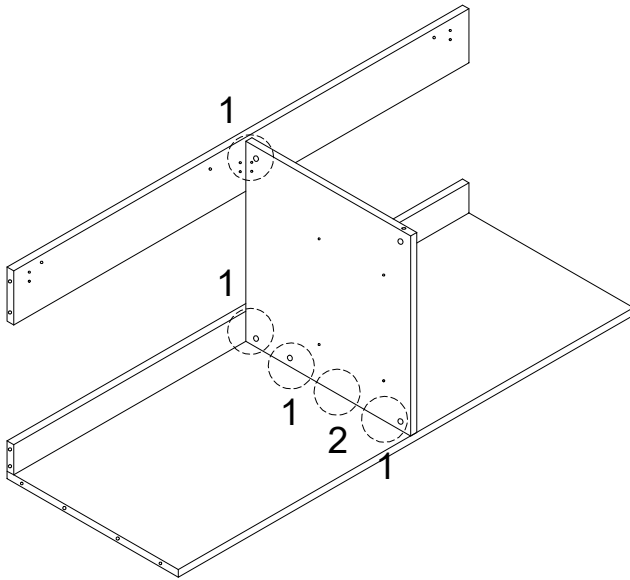
This section contains two warning boxes. The top box shows a circle with a screwdriver and a wrench, and a crossed-out power drill, with a warning triangle to its right. The bottom box shows a circle with a block being placed on a surface, and a crossed-out block being cut, with a warning triangle to its right. To the right of these boxes is a clock icon with the text '90'' below it, and a person icon with the number '2' below it.



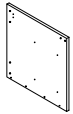
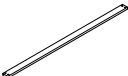
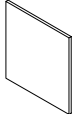



<p>A</p>  <p>x 1</p>	<p>B</p>  <p>x 1</p>	<p>C</p>  <p>x 1</p>	<p>D</p>  <p>x 1</p>	<p>E</p>  <p>x 1</p>	<p>F</p>  <p>x 1</p>
<p>G</p>  <p>x 1</p>	<p>H</p>  <p>x 4</p>	<p>I</p>  <p>x 4</p>	<p>J</p>  <p>x 2</p>	<p>K</p>  <p>x 4</p>	<p>L</p>  <p>x 2</p>
<p>M</p>  <p>x 2</p>	<p>N</p>  <p>x 2</p>	<p>O</p>  <p>x 4</p>	<p>P</p>  <p>x 2</p>	<p>Q</p>  <p>x 2</p>	<p>R</p>  <p>x 4</p>
<p>S</p>  <p>x 4</p>	<p>T</p>  <p>8 x 32</p> <p>x 69</p>	<p>U</p>  <p>Ø15</p> <p>x 69</p>	<p>V</p>  <p>Ø8 x 40</p> <p>x 5</p>	<p>W</p>  <p>4 x 24</p> <p>x 8</p>	<p>X</p>  <p>M4 x 32</p> <p>x 3</p>
<p>Y</p>  <p>3.5 x 14</p> <p>x 34</p>	<p>Z</p>  <p>x 3</p>	<p>@</p>  <p>x 3</p>	<p>#</p>  <p>x 4</p>	<p><</p>  <p>x 4</p>	<p>></p>  <p>x 3</p>

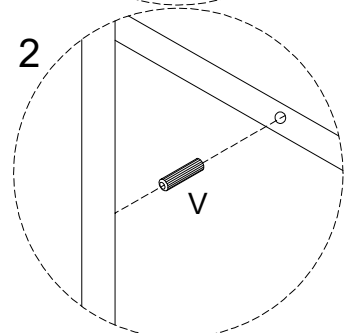
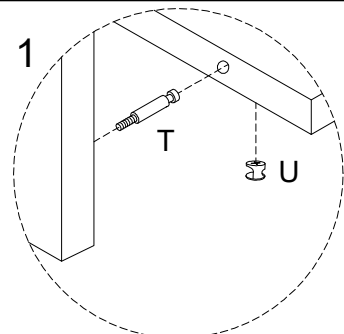
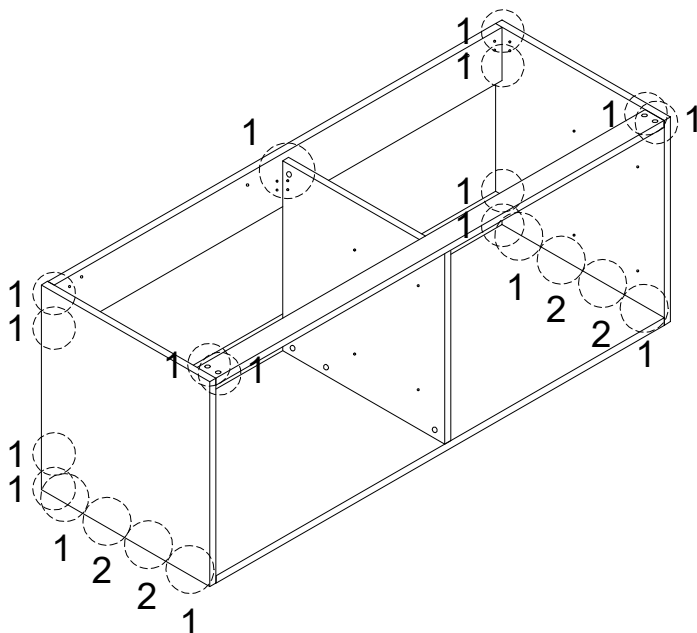
1

A	C	D	F	T	U	V
						
x 1	x 1	x 1	x 1	8 x 32 x 4	Ø15 x 4	Ø8 x 40 x 1

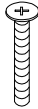

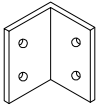
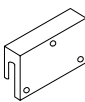
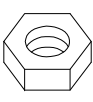


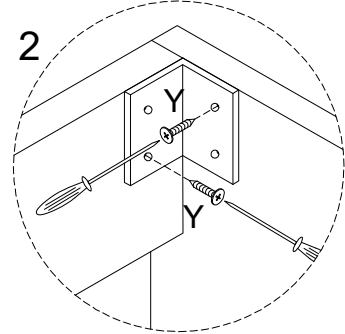
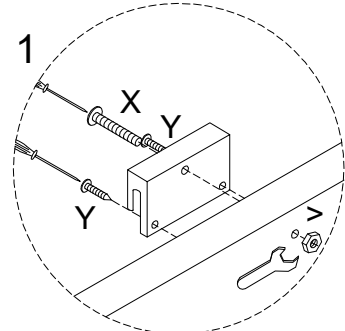
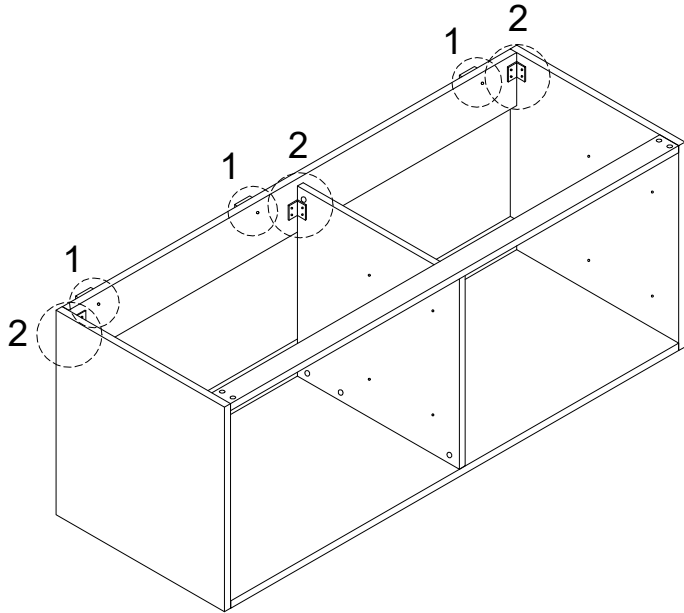
2

B	E	G	T	U	V
					
x 1	x 1	x 1	8 x 32 x 17	Ø15 x 17	Ø8 x 40 x 4

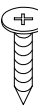
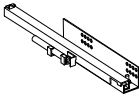
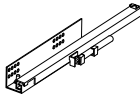


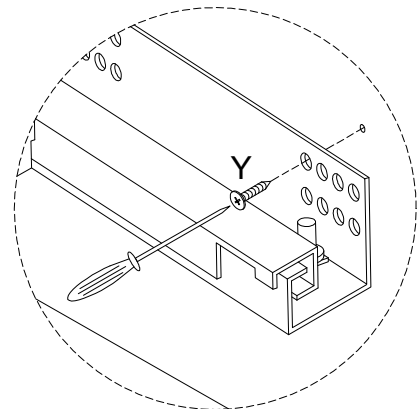
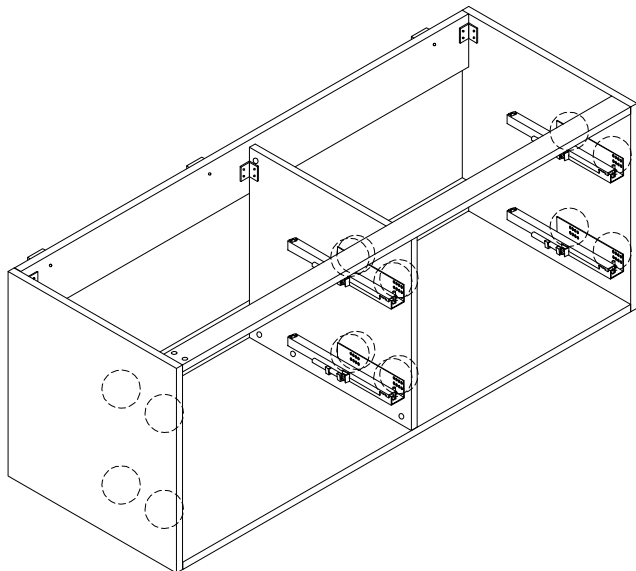
3

X  M4 x 32 x 3	Y  3.5 x 14 x 18	Z  x 3	@  x 3	>  x 3
--	--	--	--	---

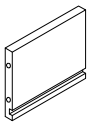
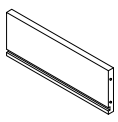
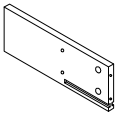
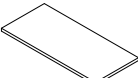




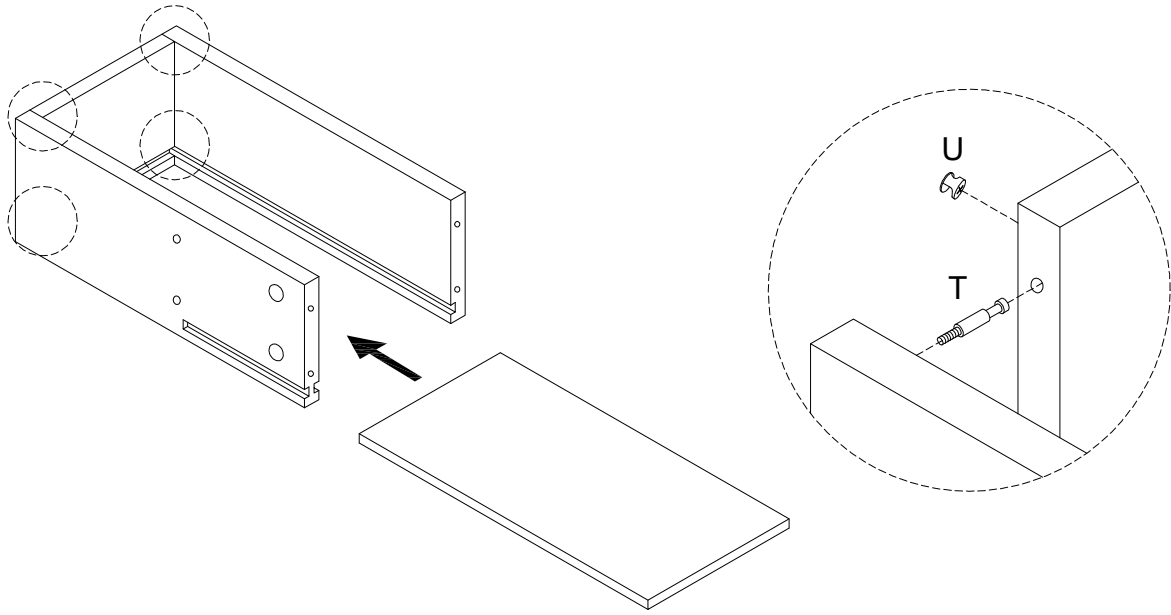
4

Y  3.5 x 14 x 16	#  x 4	<  x 4
--	--	---

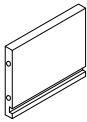
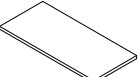
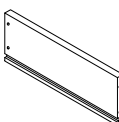
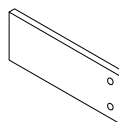




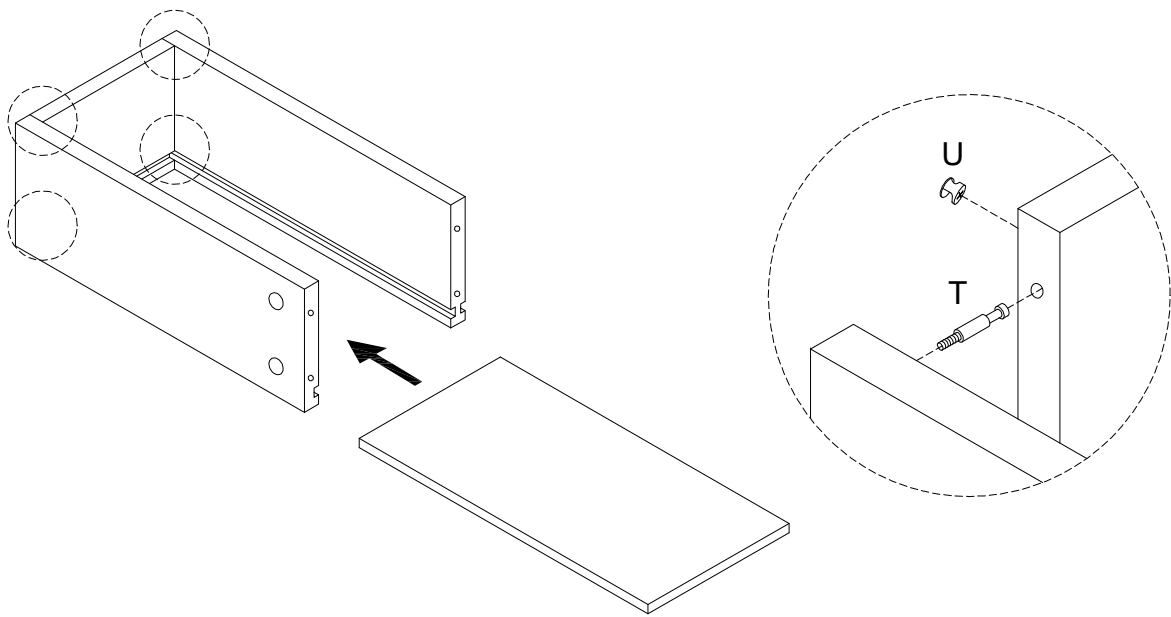
5 x 2

H  x 1	I  x 1	J  x 1	K  x 1	T  8 x 32 x 4	U  Ø15 x 4
--	--	--	---	--	---

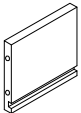
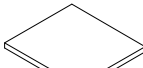




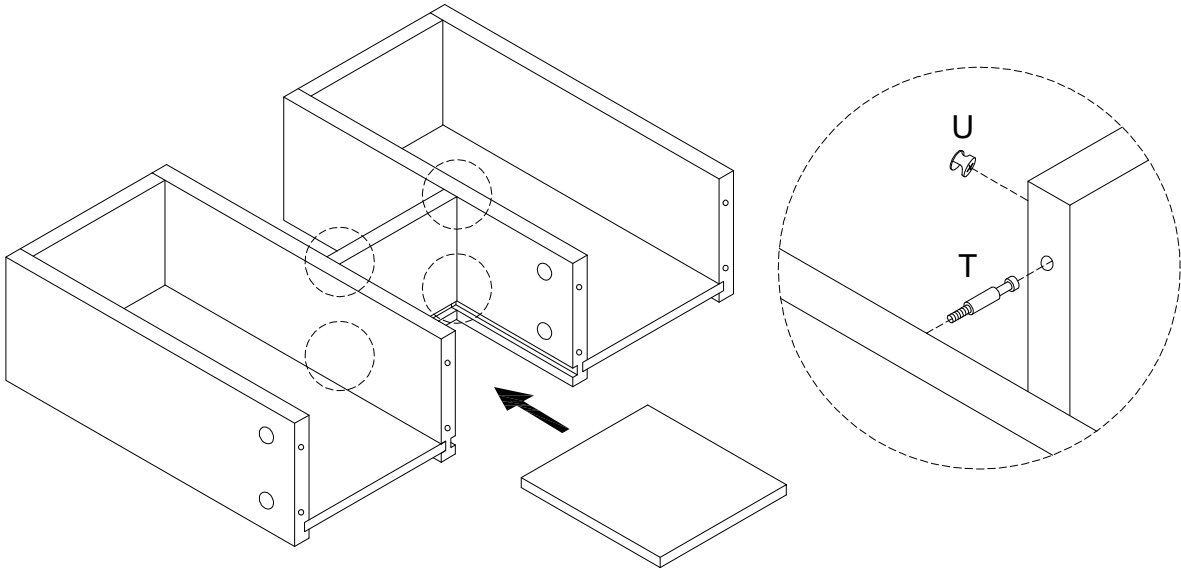
6 x 2

H  x 1	K  x 1	M  x 1	O  x 1	T  8 x 32 x 4	U  Ø15 x 4
--	--	--	---	--	---

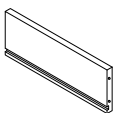
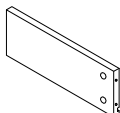
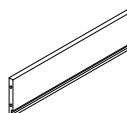





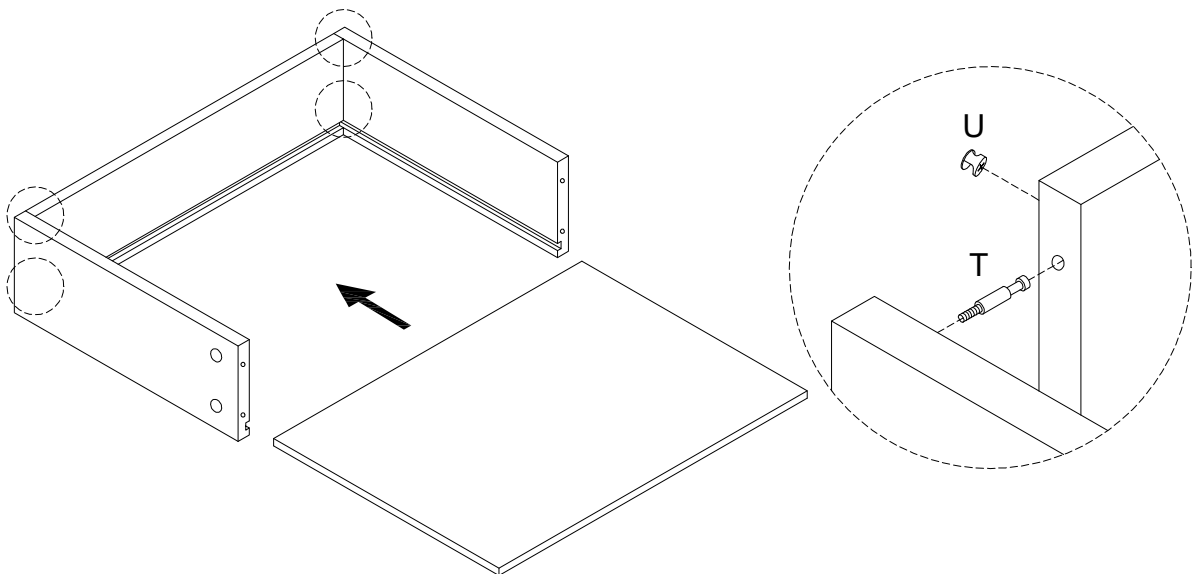
7 x 2

L  x 1	N  x 1	T  8 x 32 x 4	U  Ø15 x 4
--	--	---	---

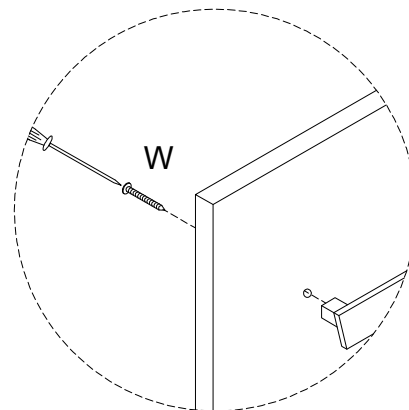
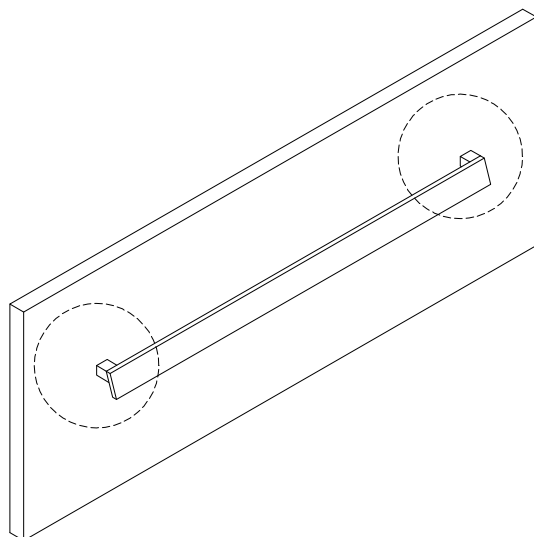
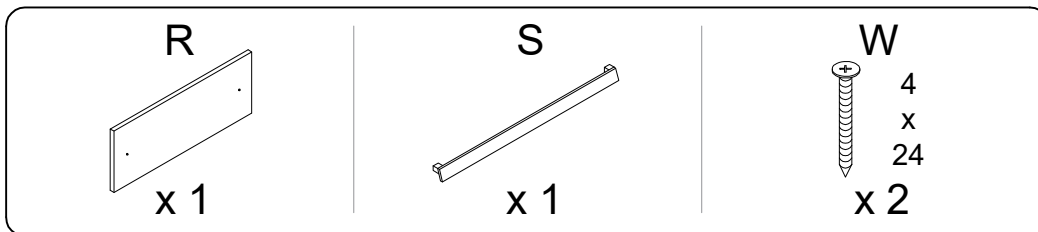


8 x 2

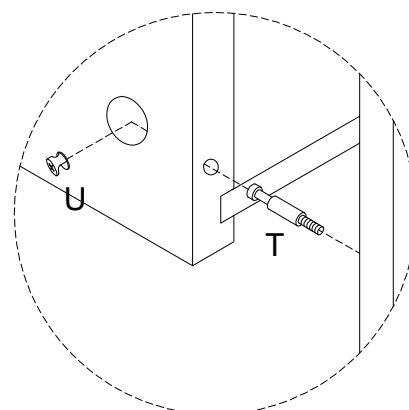
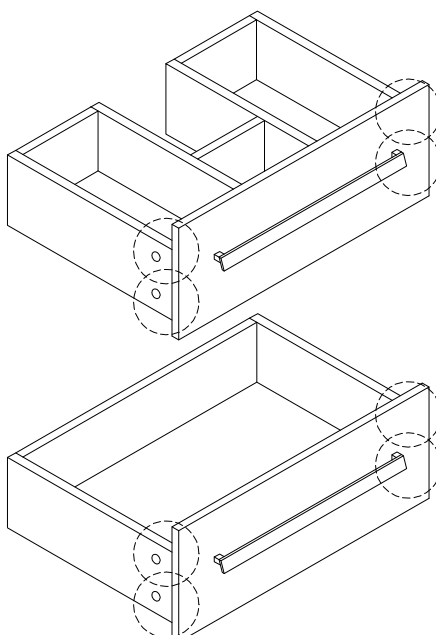
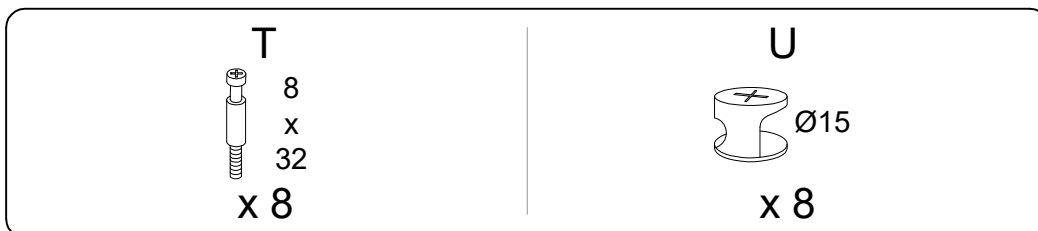
I  x 1	O  x 1	P  x 1	Q  x 1	T  8 x 32 x 4	U  Ø15 x 4
--	--	--	---	--	---



9 x 4



10 x 2



11

