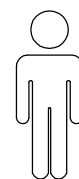
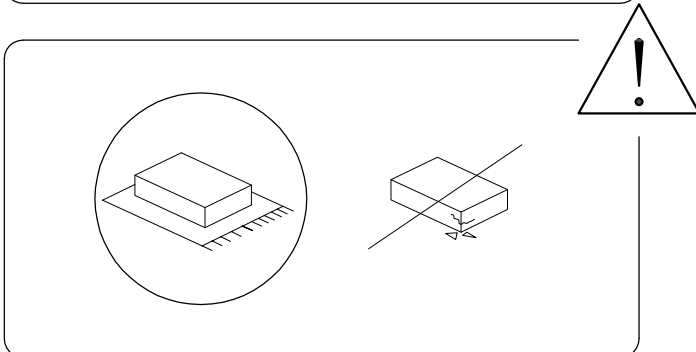
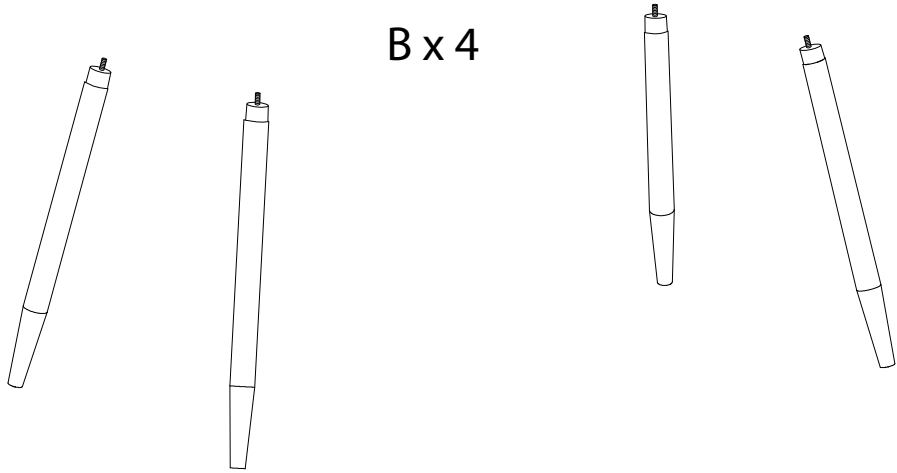
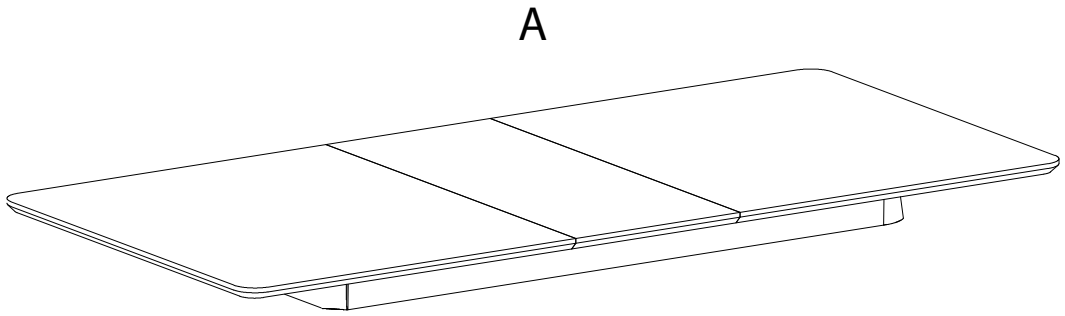
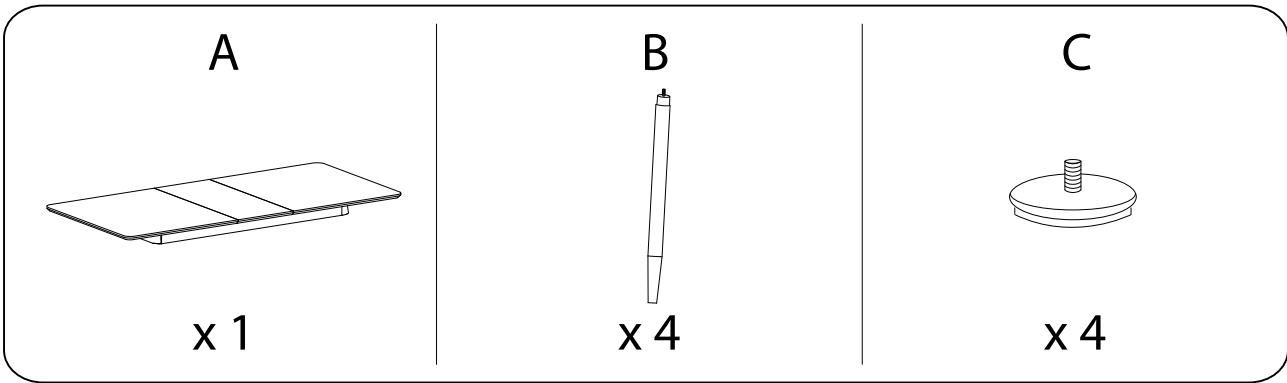


20'



2

1/4



1 x 4

B

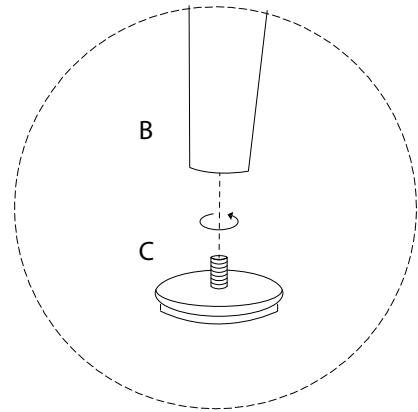
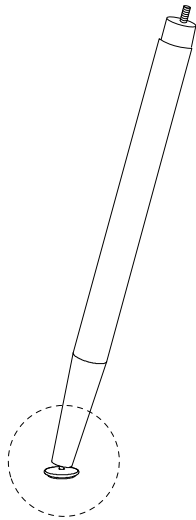


x 1

C

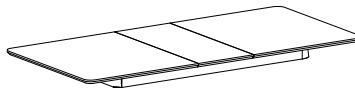


x 1

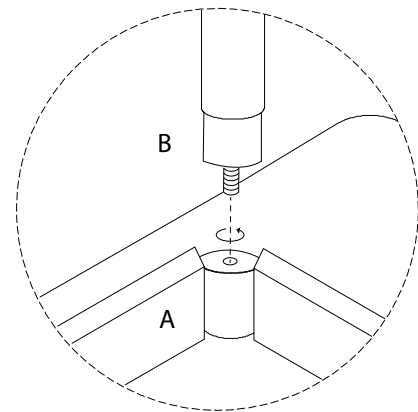
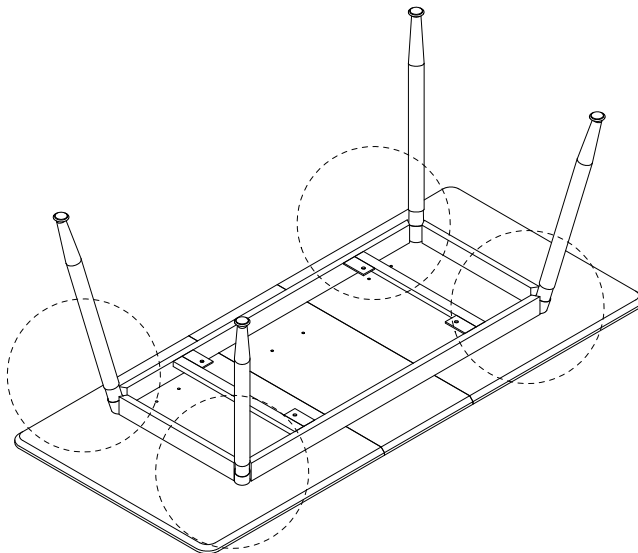


2

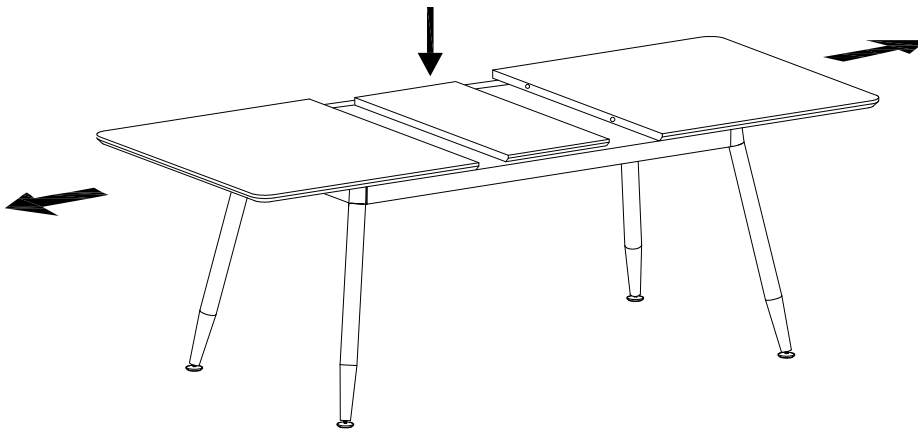
A



x 1



!



!

