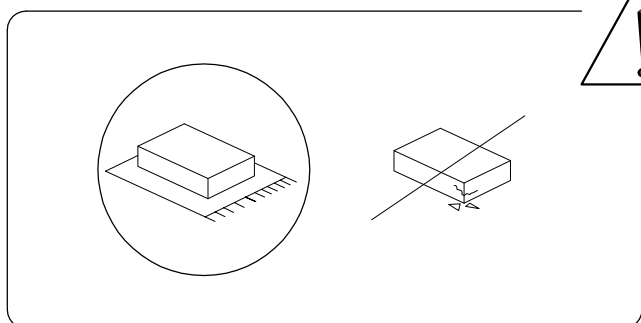
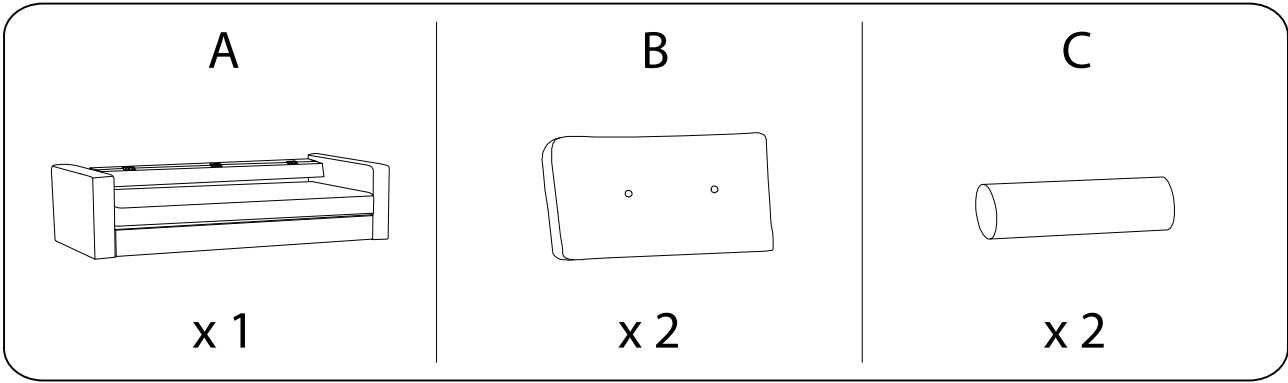


15'



1

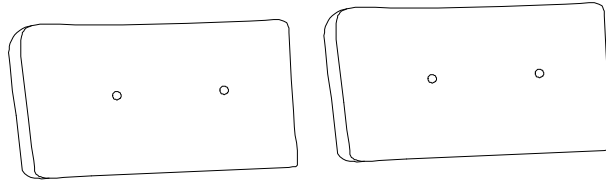
1/4



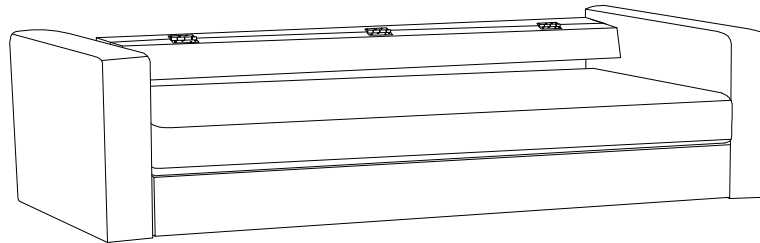
C x 2



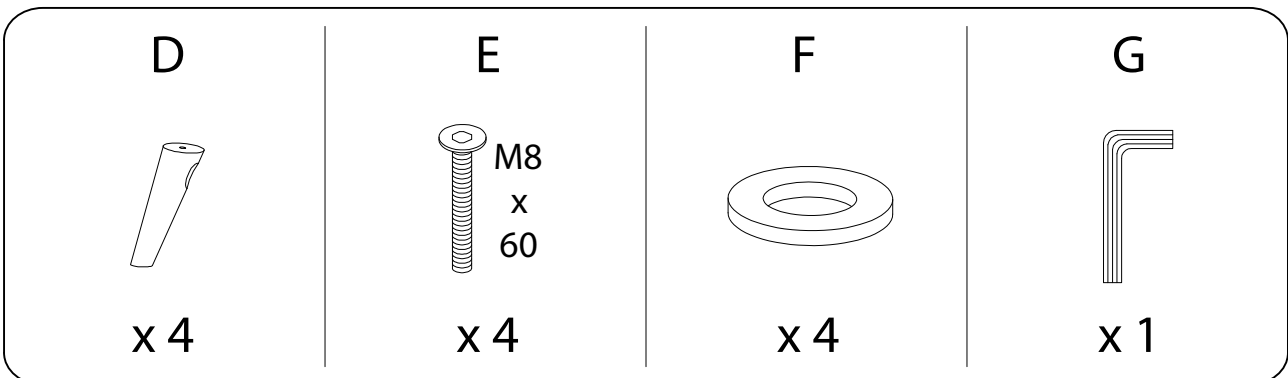
B x 2



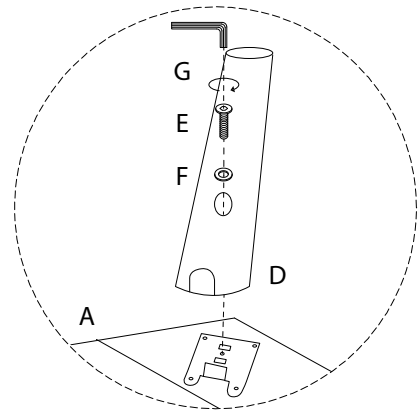
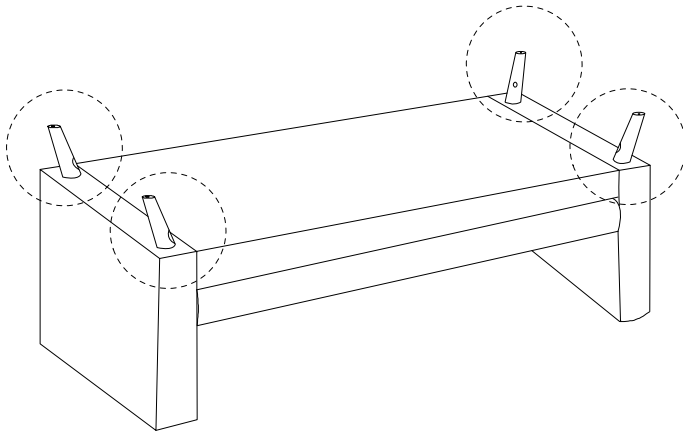
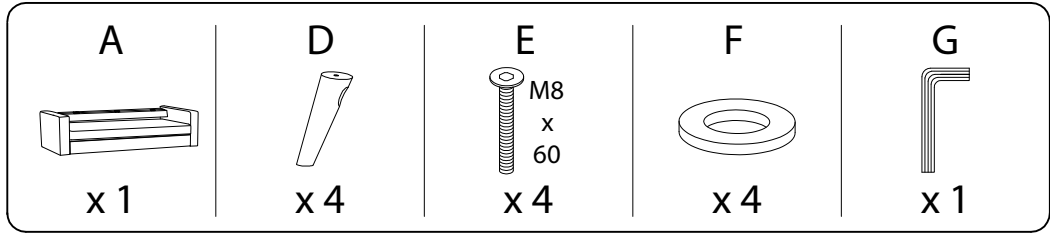
A



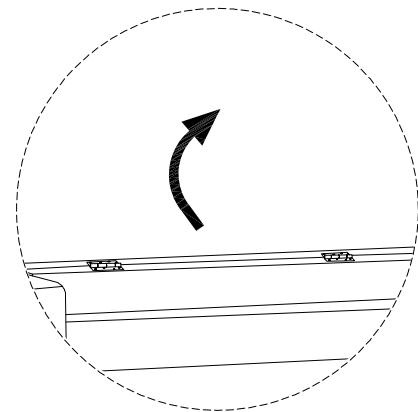
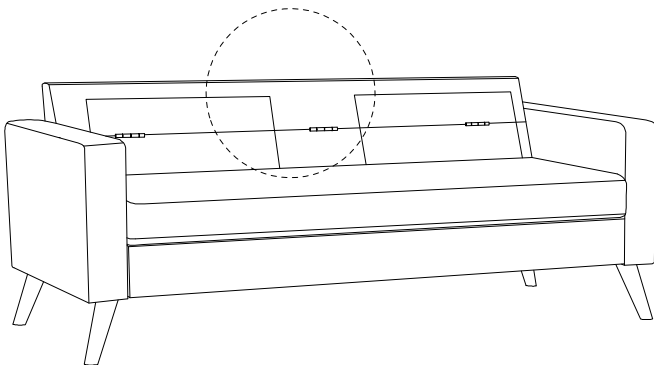
D x 4



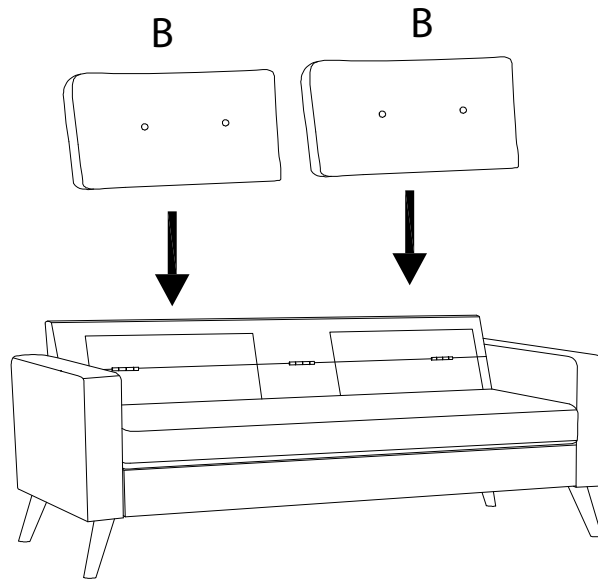
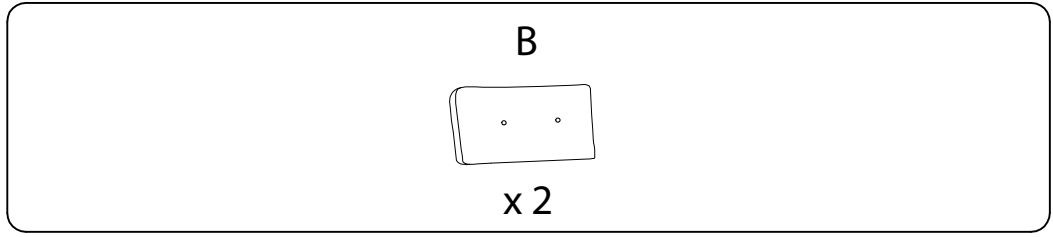
1



2



3



4

