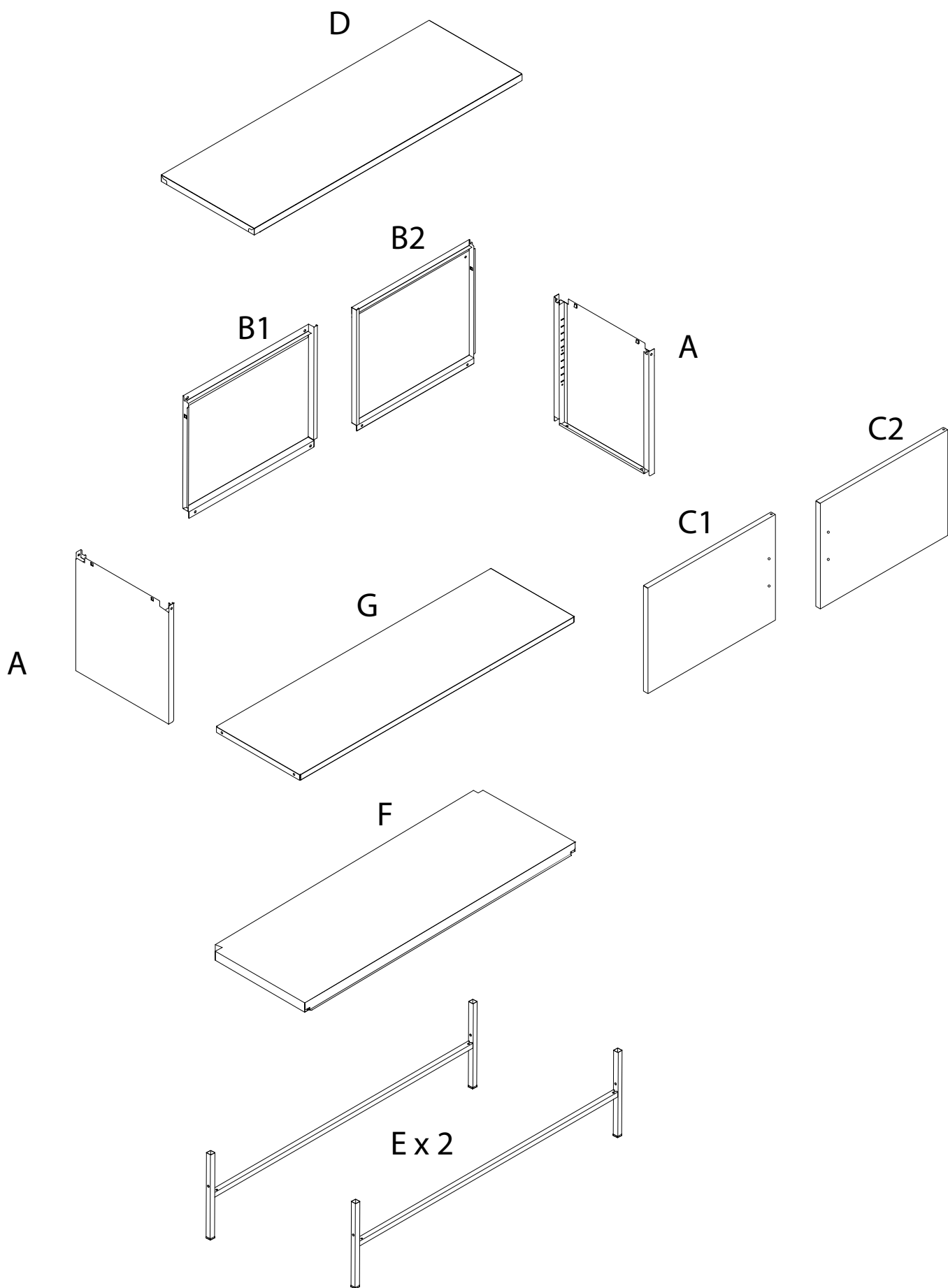
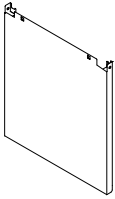
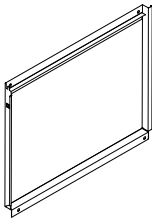
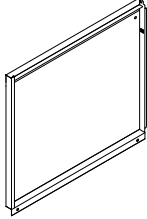
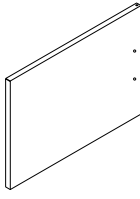
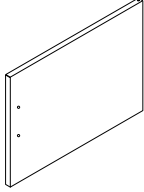
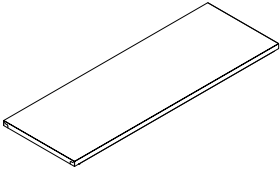
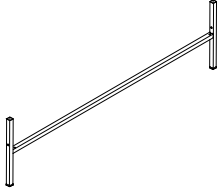
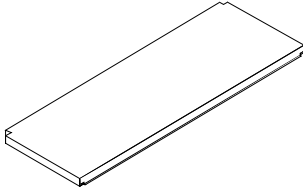
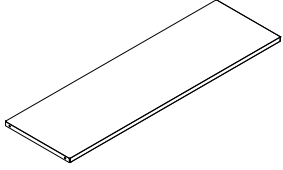
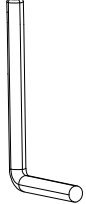
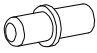
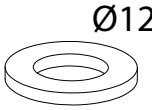



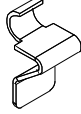


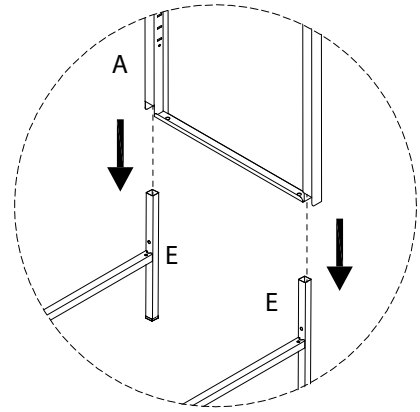
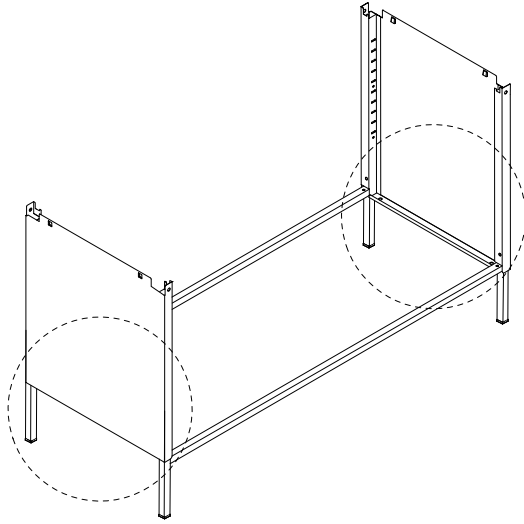
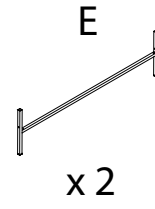
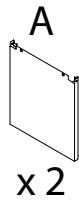
Diagram illustrating assembly instructions and safety warnings:

- Top Section:** Shows a screwdriver and a power drill with a diagonal line through it, indicating that a power drill should not be used. To the right is a warning triangle with an exclamation mark and a clock icon with the text "40'", indicating a 40-minute assembly time.
- Bottom Section:** Shows a block of material being placed on a surface and another block being drilled into. To the right is a warning triangle with an exclamation mark and a person icon with the text "1", indicating that one person is required for assembly.

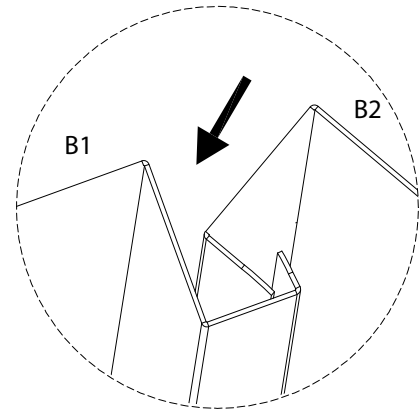
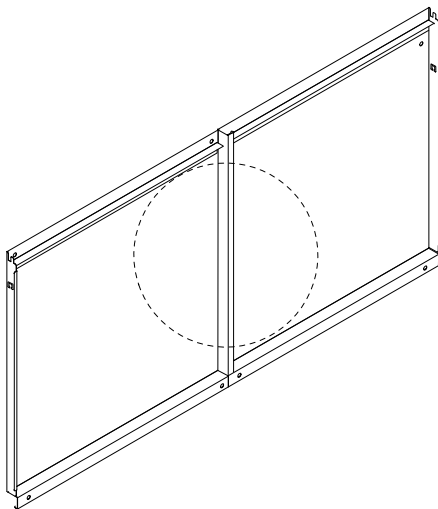
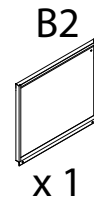
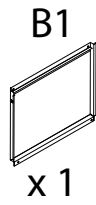


<p>A</p>  <p>x 2</p>	<p>B1</p>  <p>x 1</p>	<p>B2</p>  <p>x 1</p>	<p>C1</p>  <p>x 1</p>	<p>C2</p>  <p>x 1</p>
<p>D</p>  <p>x 1</p>	<p>E</p>  <p>x 2</p>	<p>F</p>  <p>x 1</p>	<p>G</p>  <p>x 1</p>	
<p>1</p>  <p>x 2</p>	<p>2</p>  <p>x 2</p>	<p>3</p>  <p>x 2</p>	<p>4</p>  <p>M4 x 4</p> <p>x 4</p>	
<p>5</p>  <p>x 4</p>	<p>6</p>  <p>x 2</p>	<p>7</p>  <p>x 4</p>		

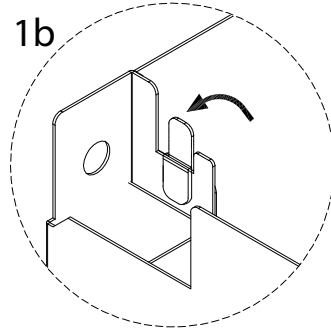
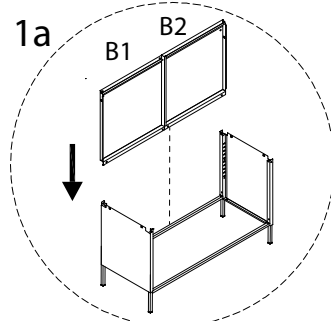
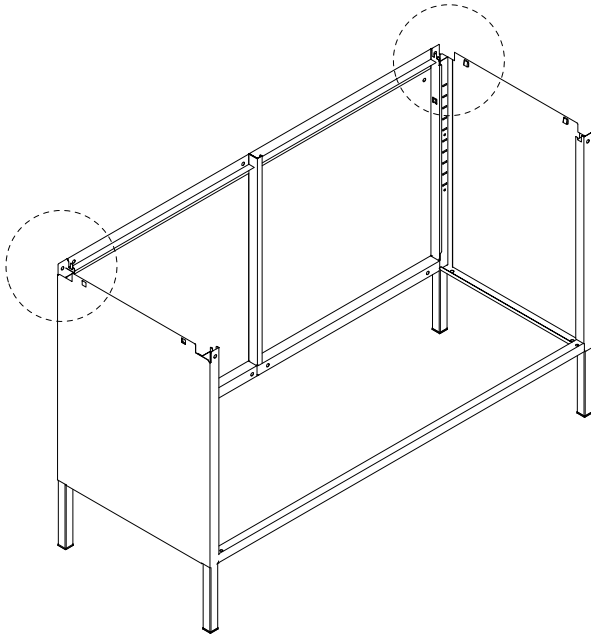
1



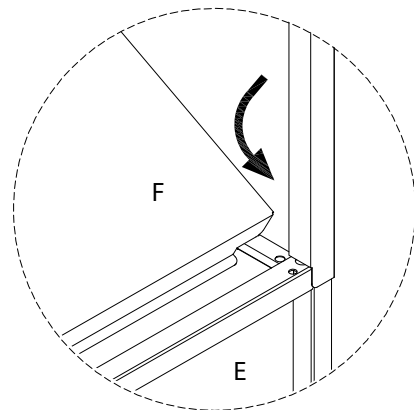
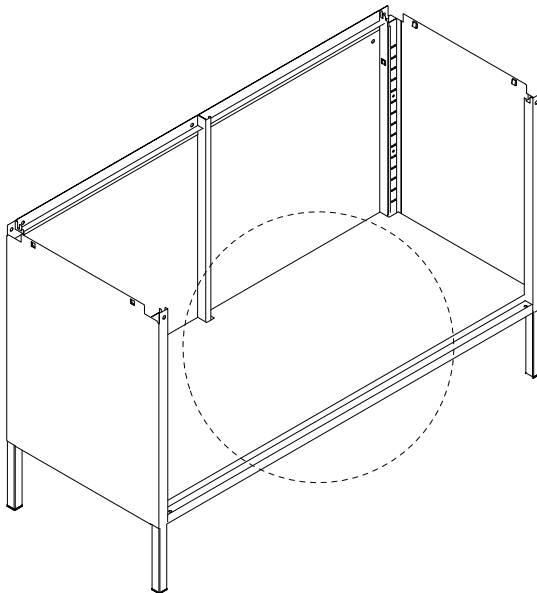
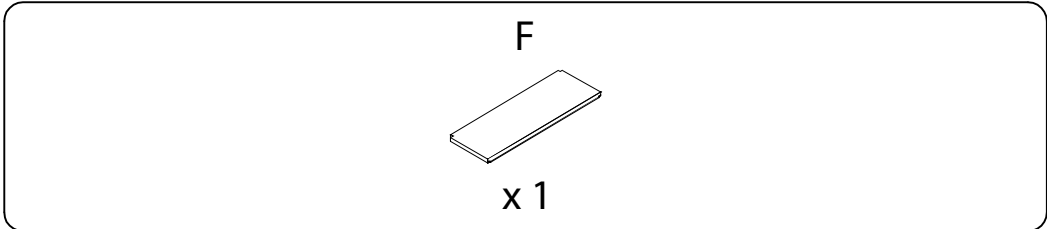
2



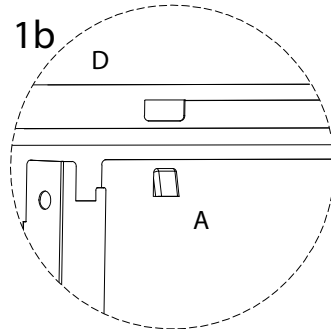
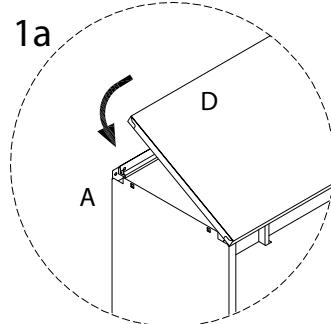
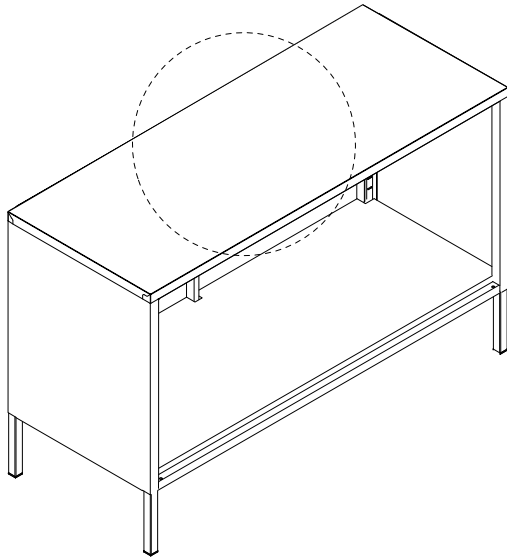
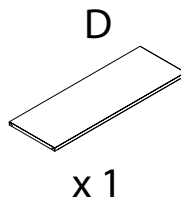
3



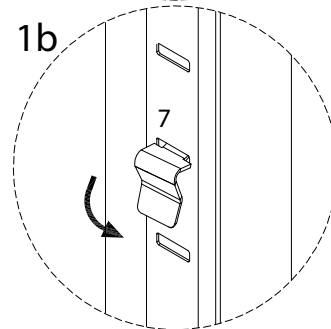
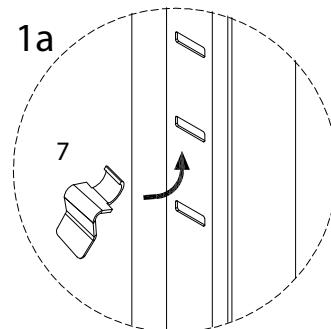
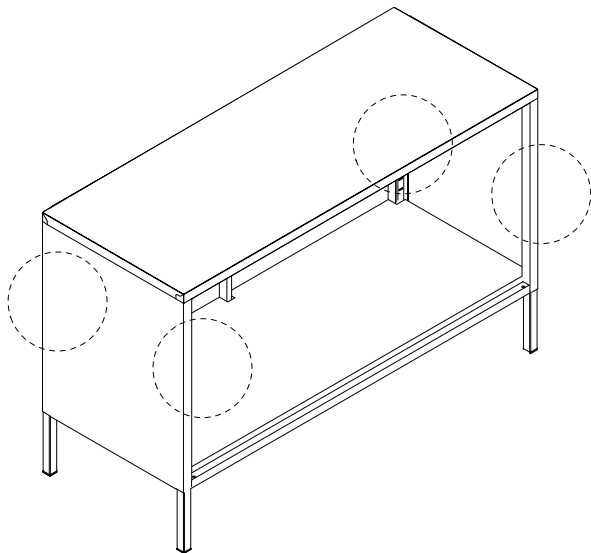
4



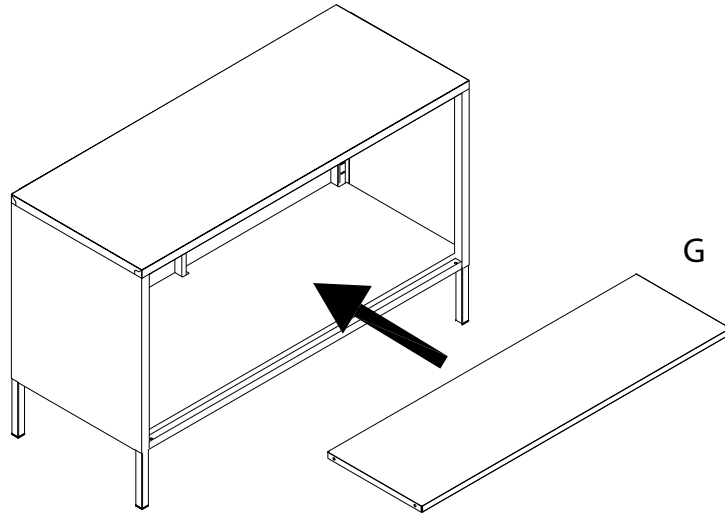
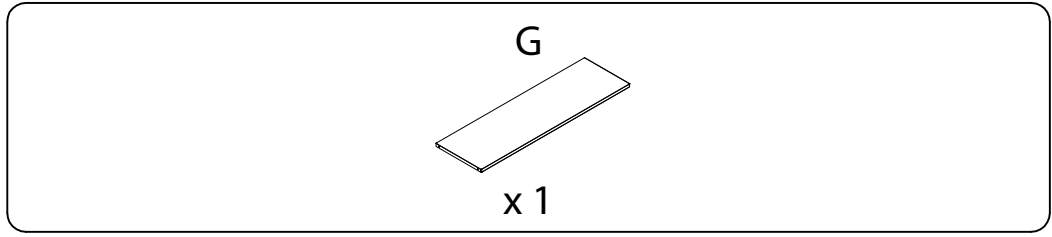
5



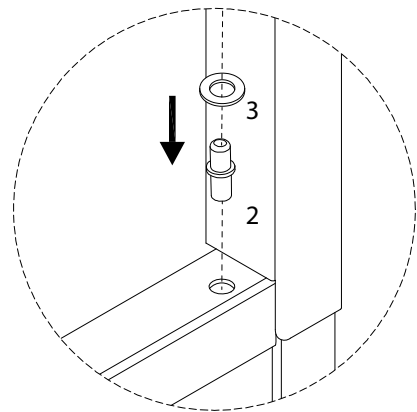
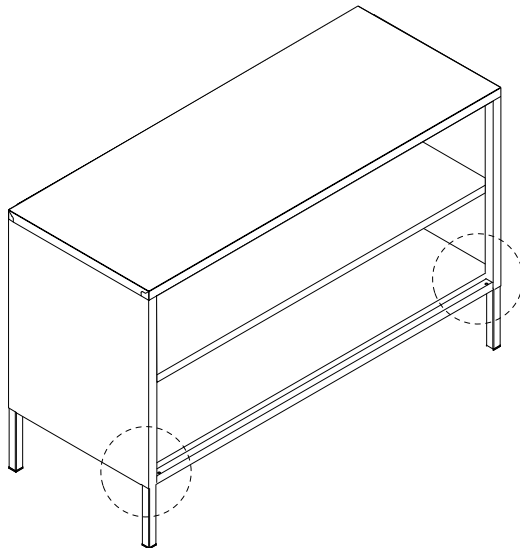
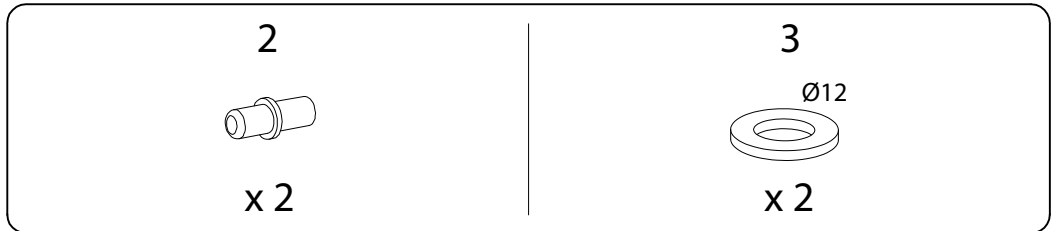
6



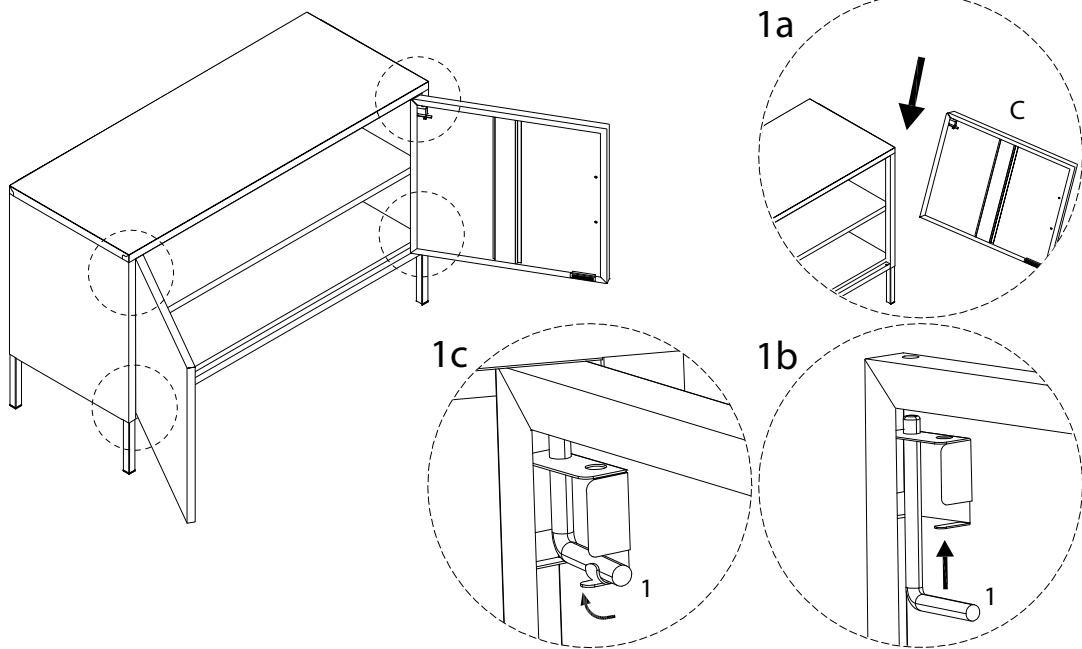
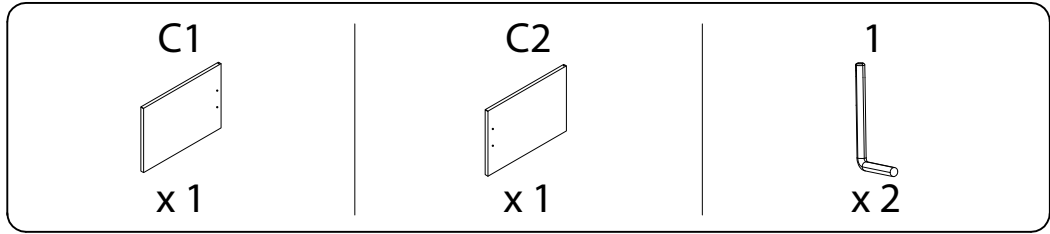
7



8



9



10

