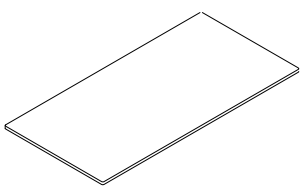
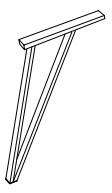
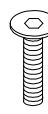
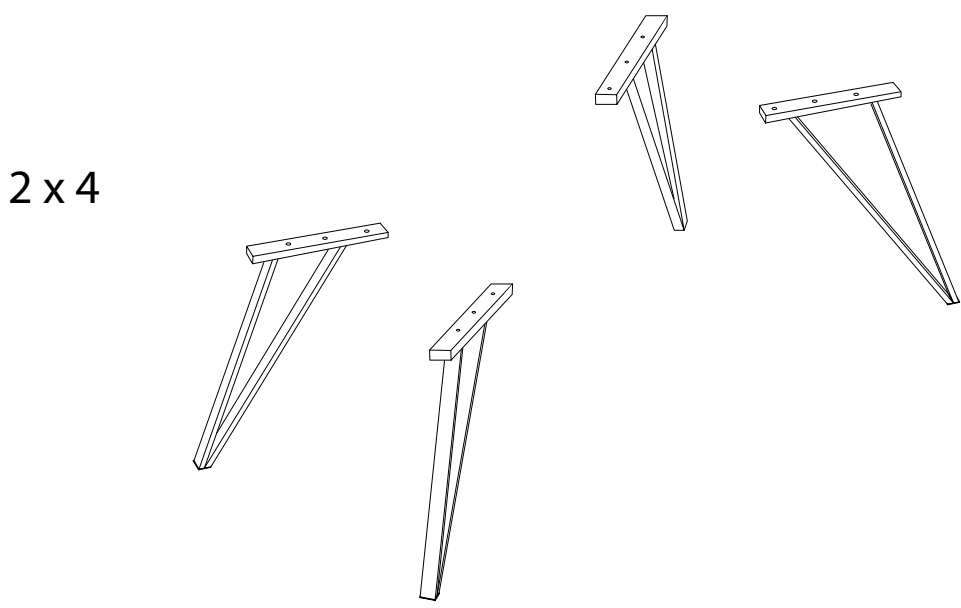
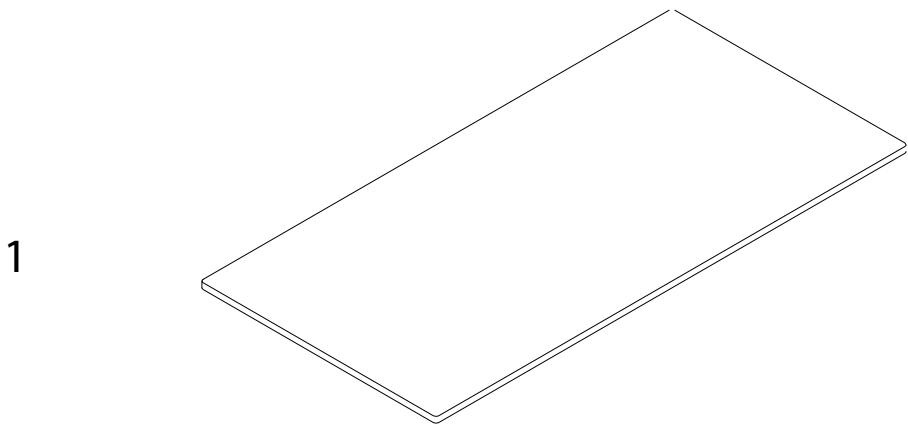
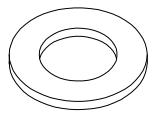
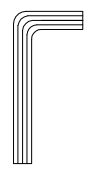


20'

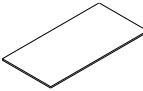




2

<p><b>1</b></p>  <p><b>x 1</b></p>	<p><b>2</b></p>  <p><b>x 4</b></p>	<p><b>A</b></p>  <p>M8 x 30</p> <p><b>x 12</b></p>
---	---	---



<p><b>B</b></p>  <p><b>x 12</b></p>	<p><b>C</b></p>  <p><b>x 1</b></p>
--	---

1

<p>1</p>  <p>x 1</p>	<p>2</p>  <p>x 4</p>	<p>A</p>  <p>M8 x 30</p> <p>x 12</p>	<p>B</p>  <p>x 12</p>	<p>C</p>  <p>x 1</p>
---	---	---	--	---

