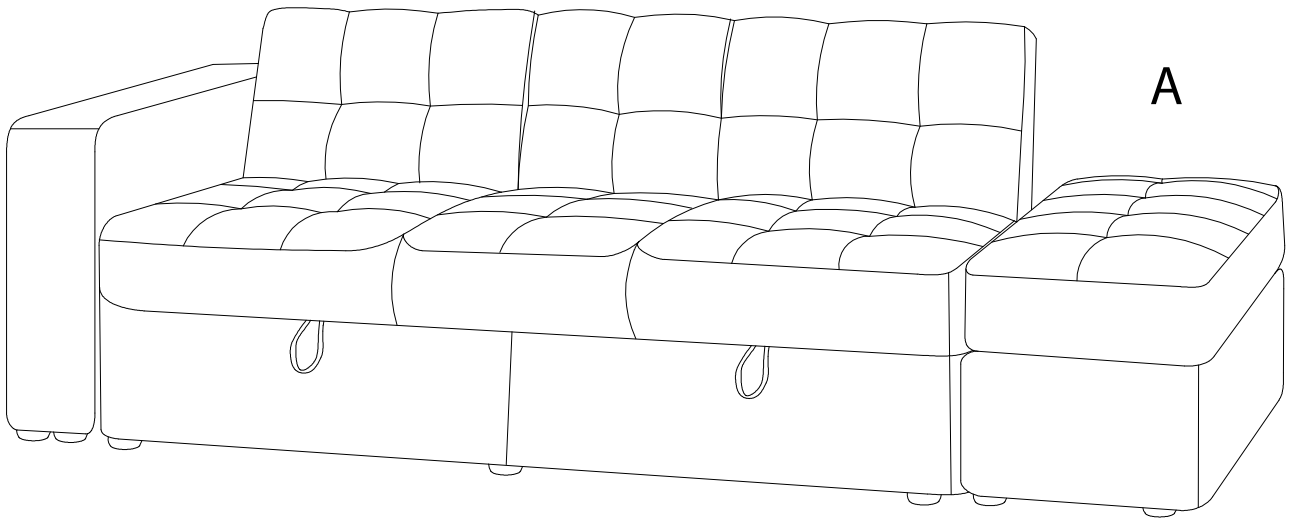
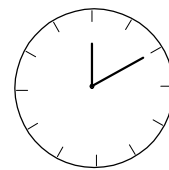


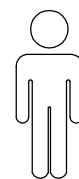
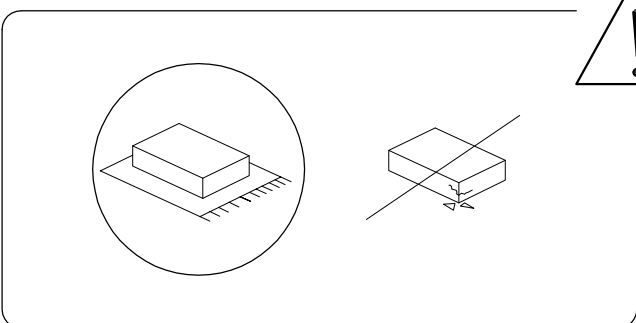
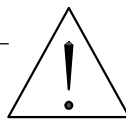
B



A



10'

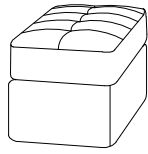


1

1/8

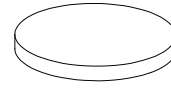
A

A

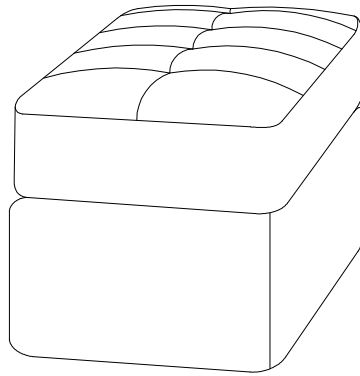


x 1

B



x 4

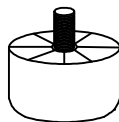


A



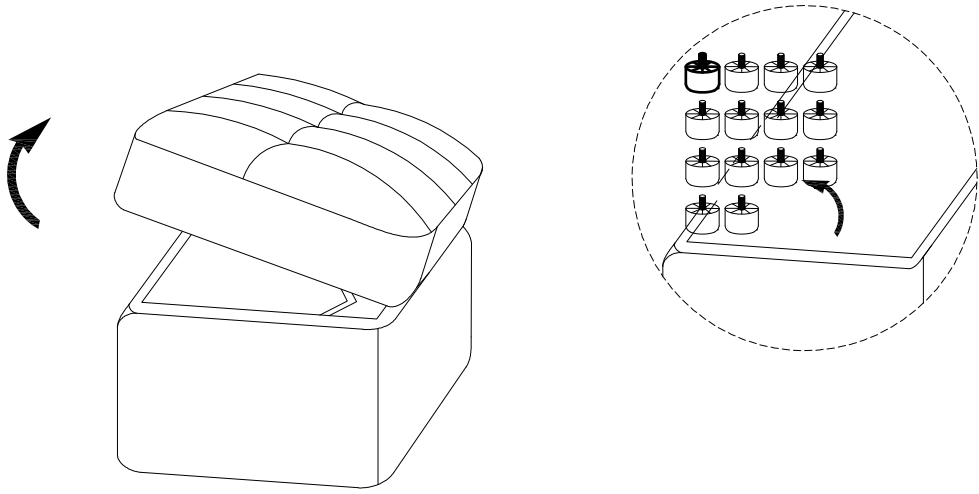
C x 4

C

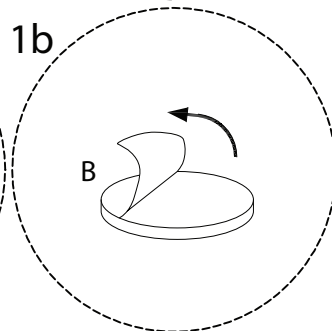
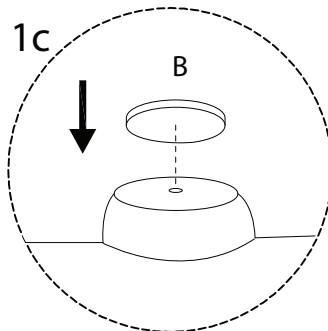
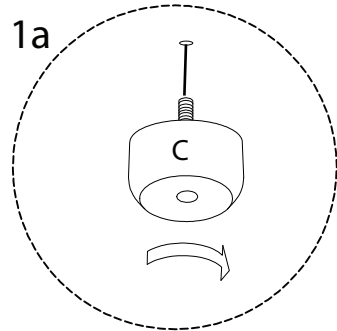
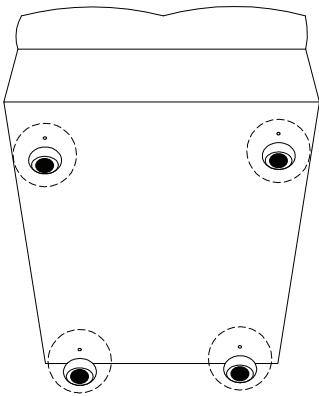
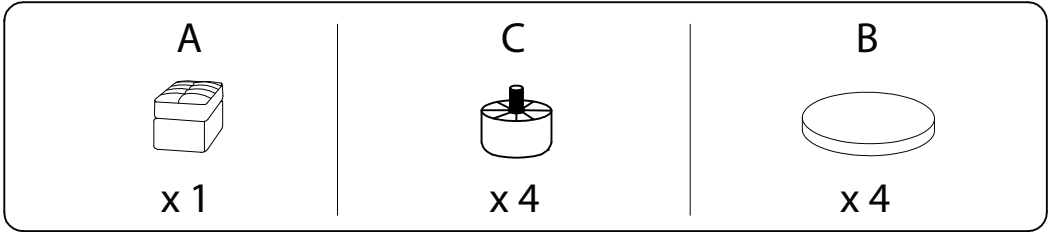


x 4

!

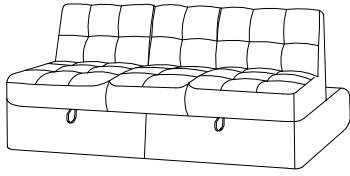


1



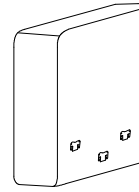
B

A



x 1

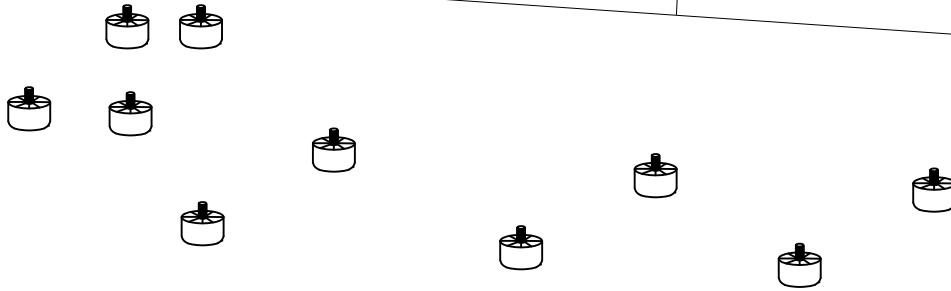
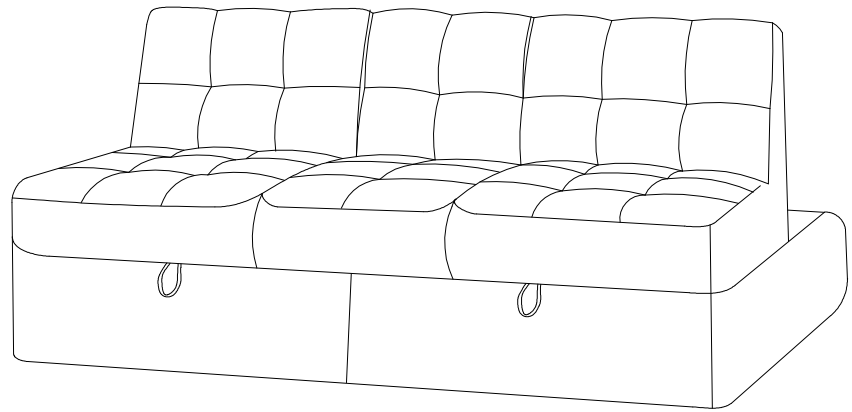
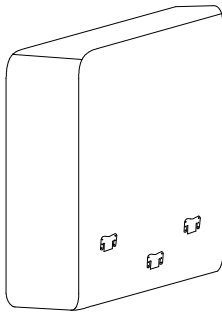
B



x 1

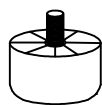
A

B



C x 10

C



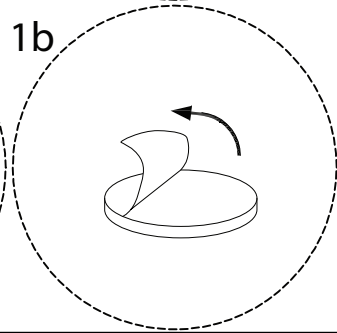
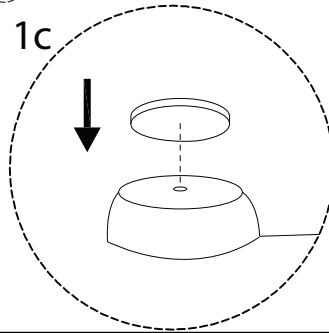
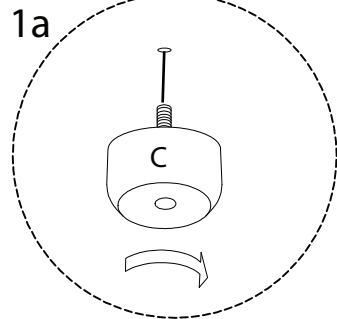
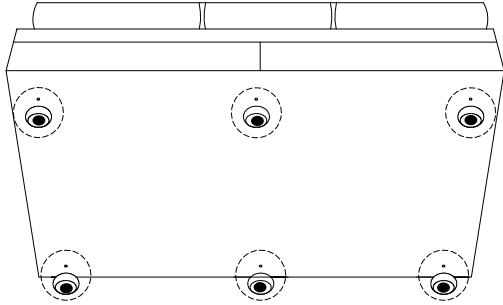
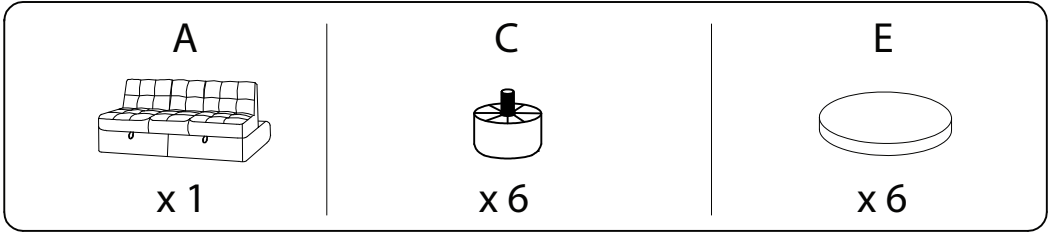
x 10

E

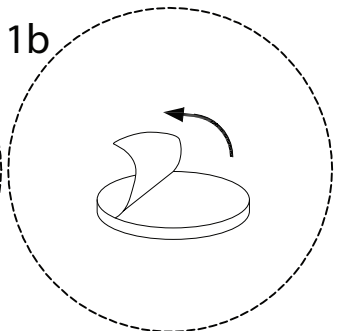
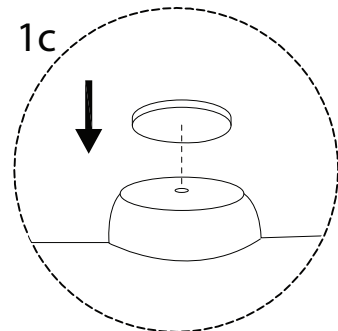
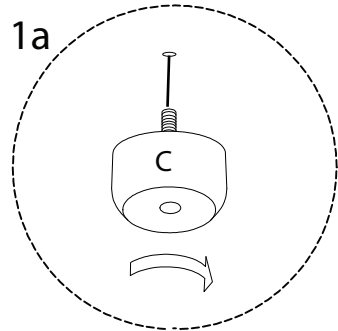
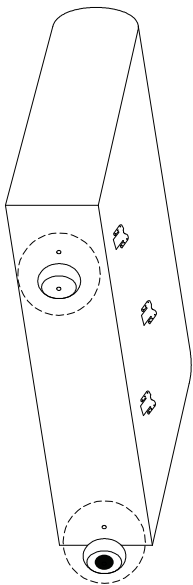
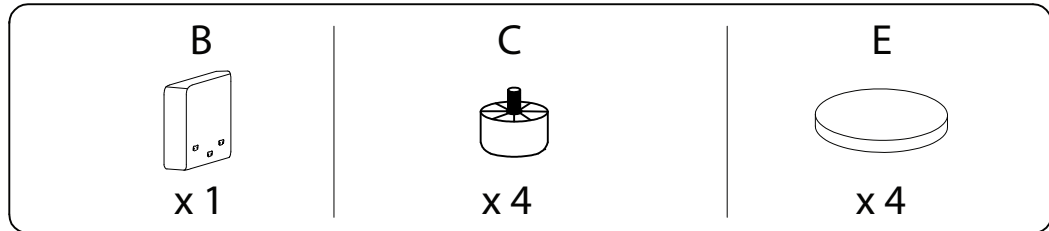


x 10

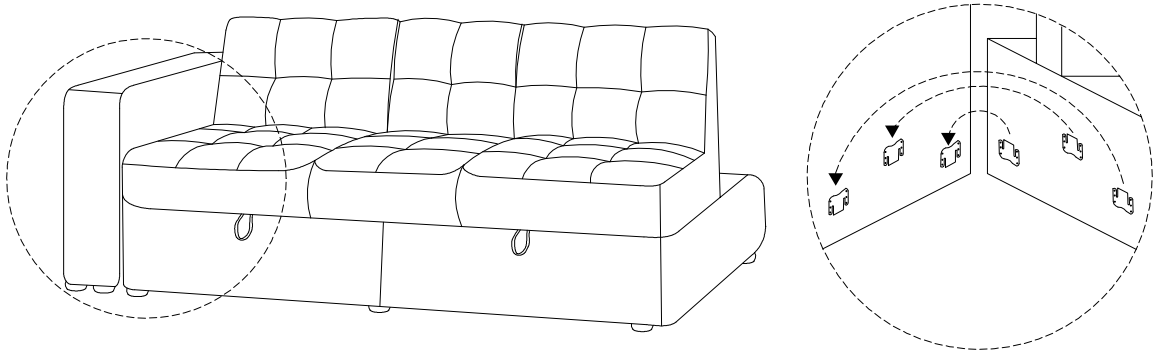
1



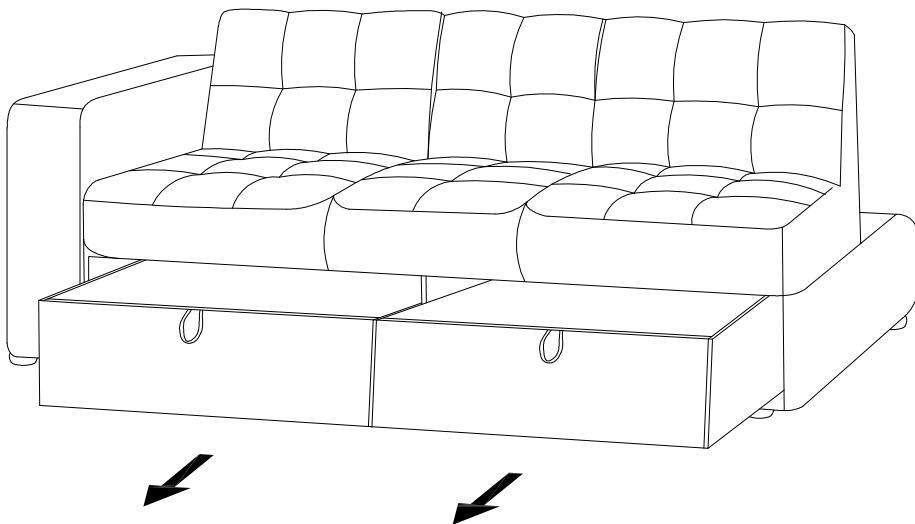
2



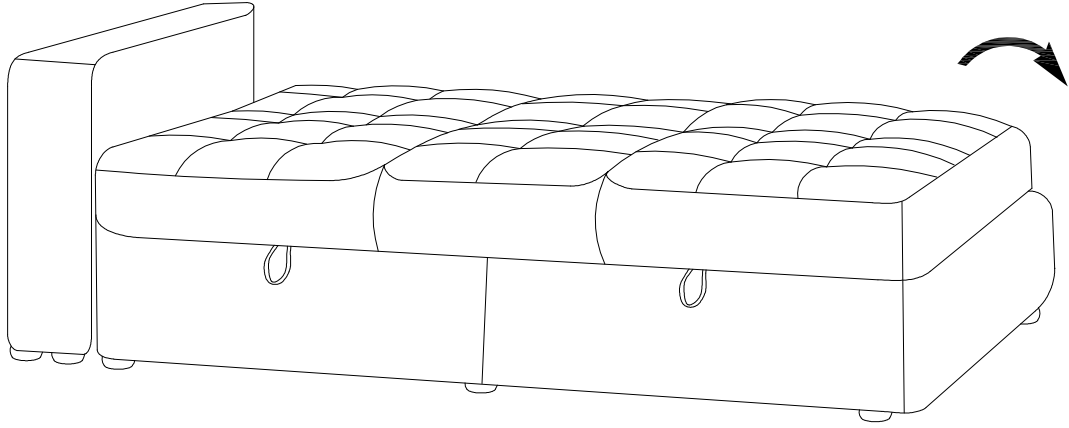
3



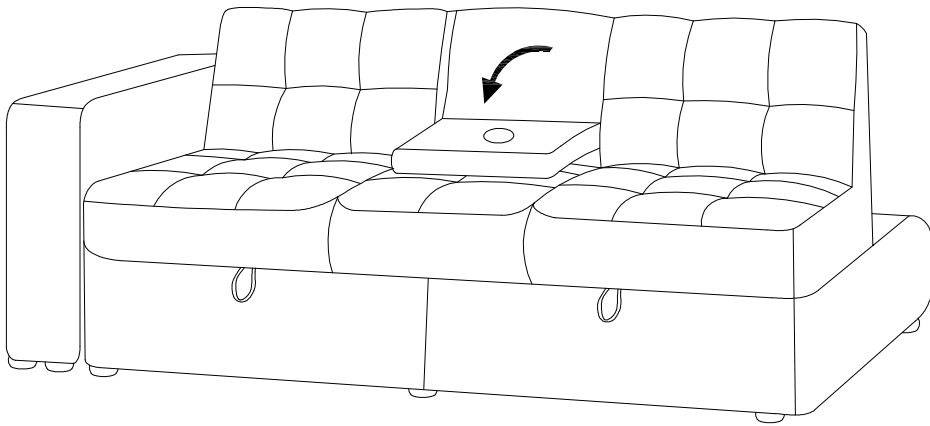
!



!



!



!

