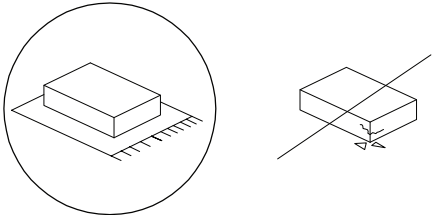
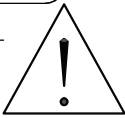
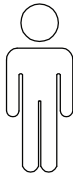
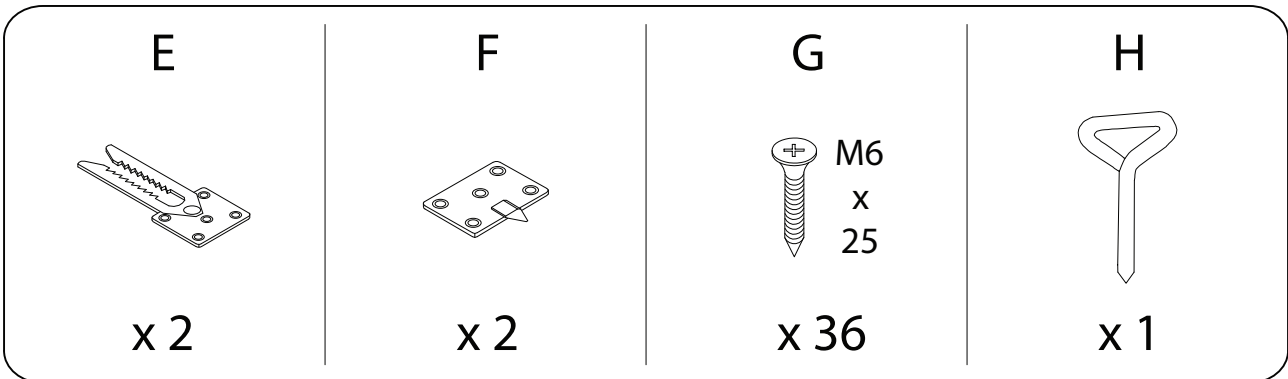
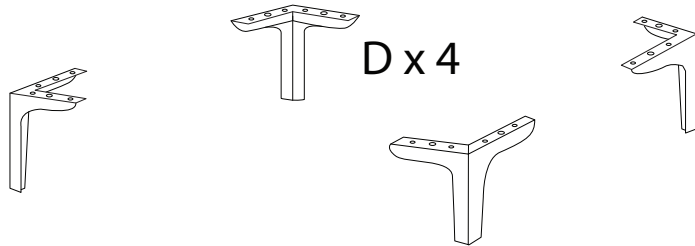
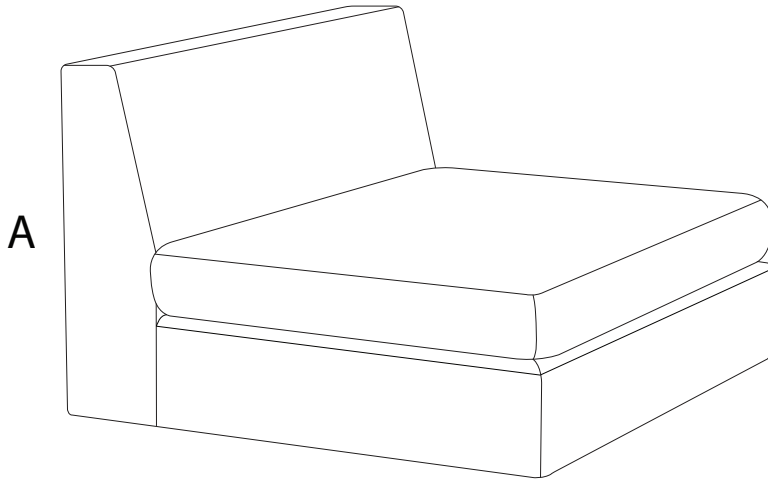
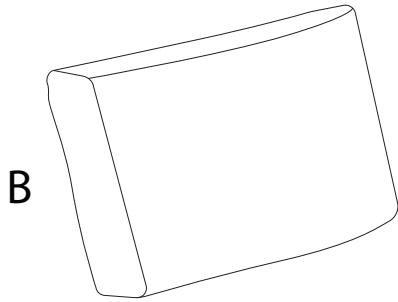
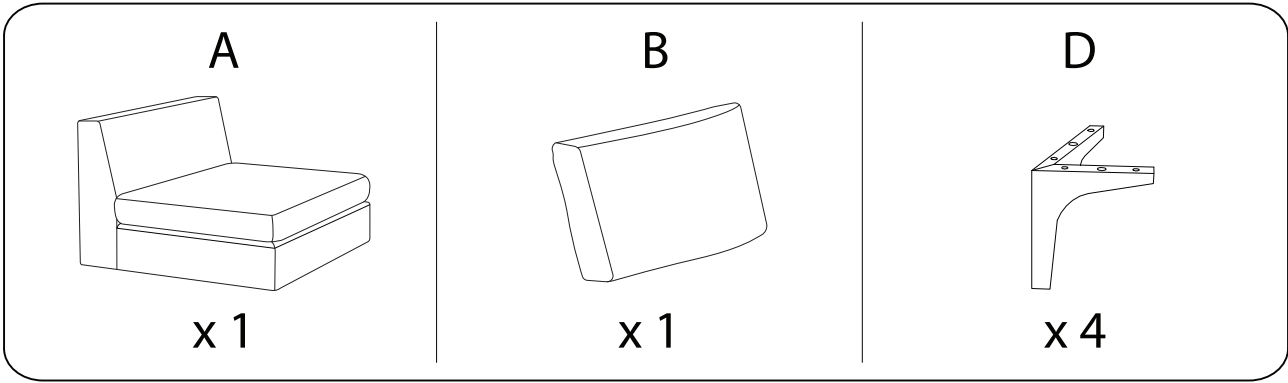
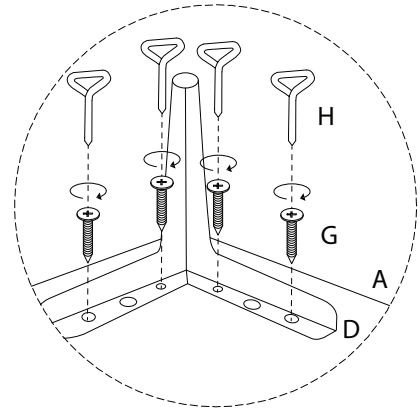
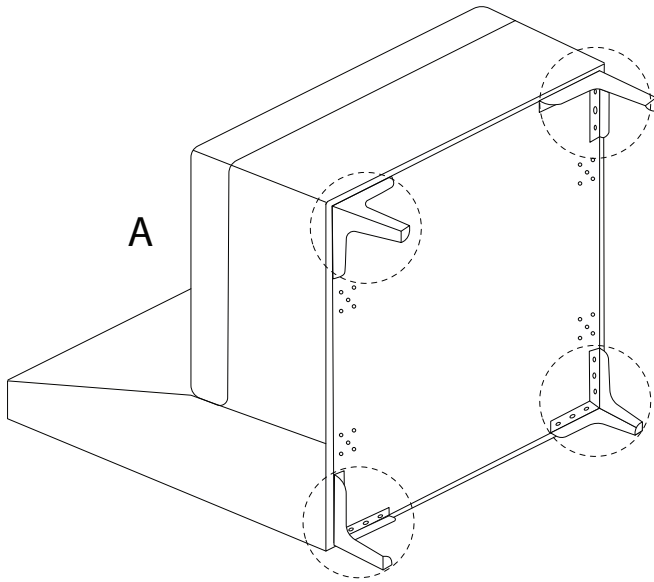
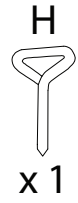
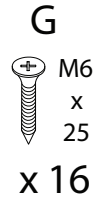
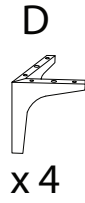
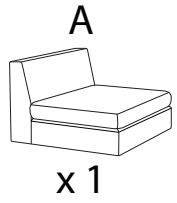
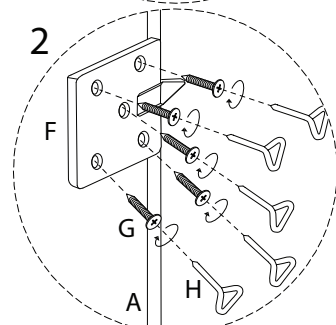
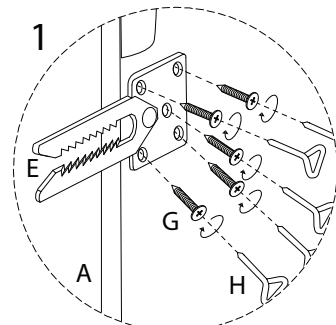
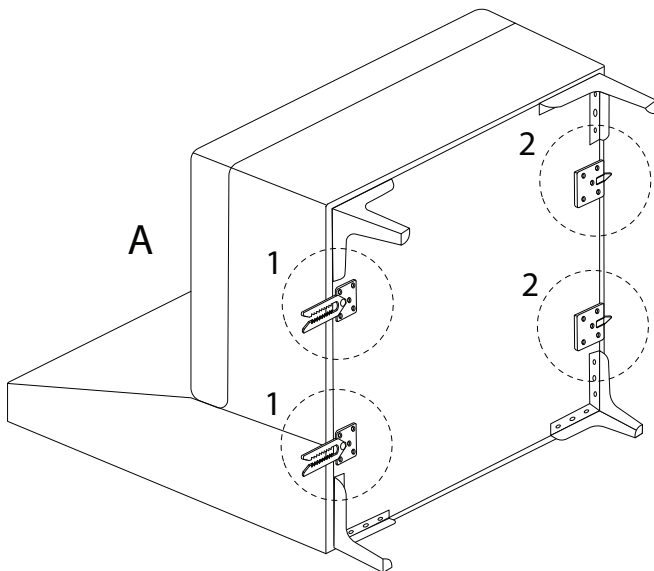
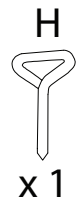
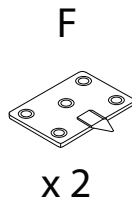
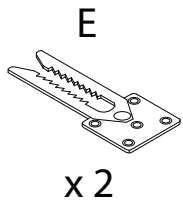

		10'
		
		1



1

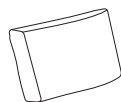


2

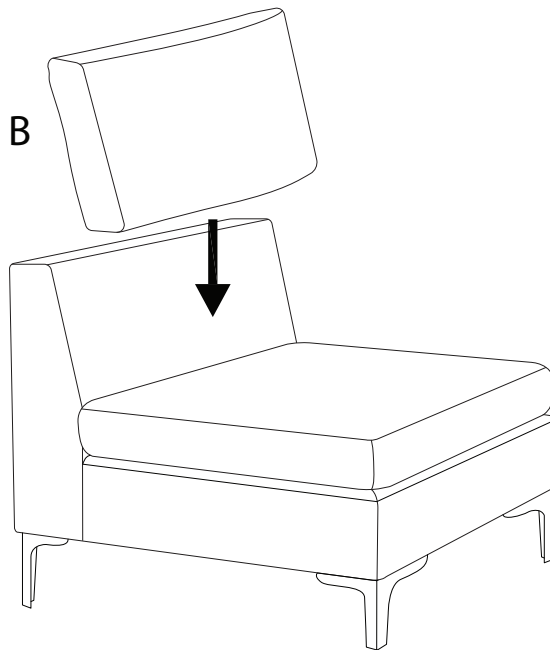


3

B



x 1



!

