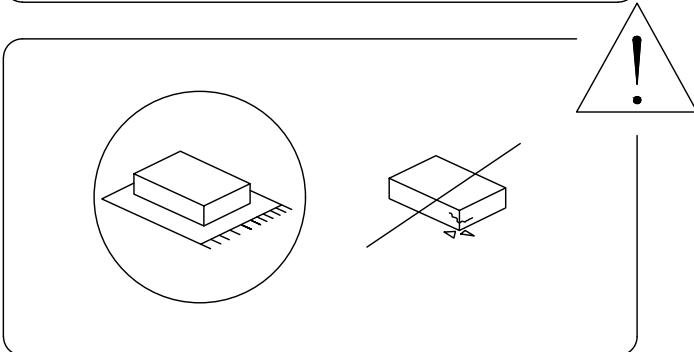
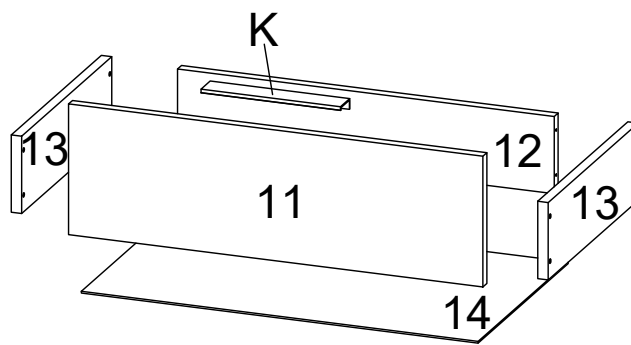
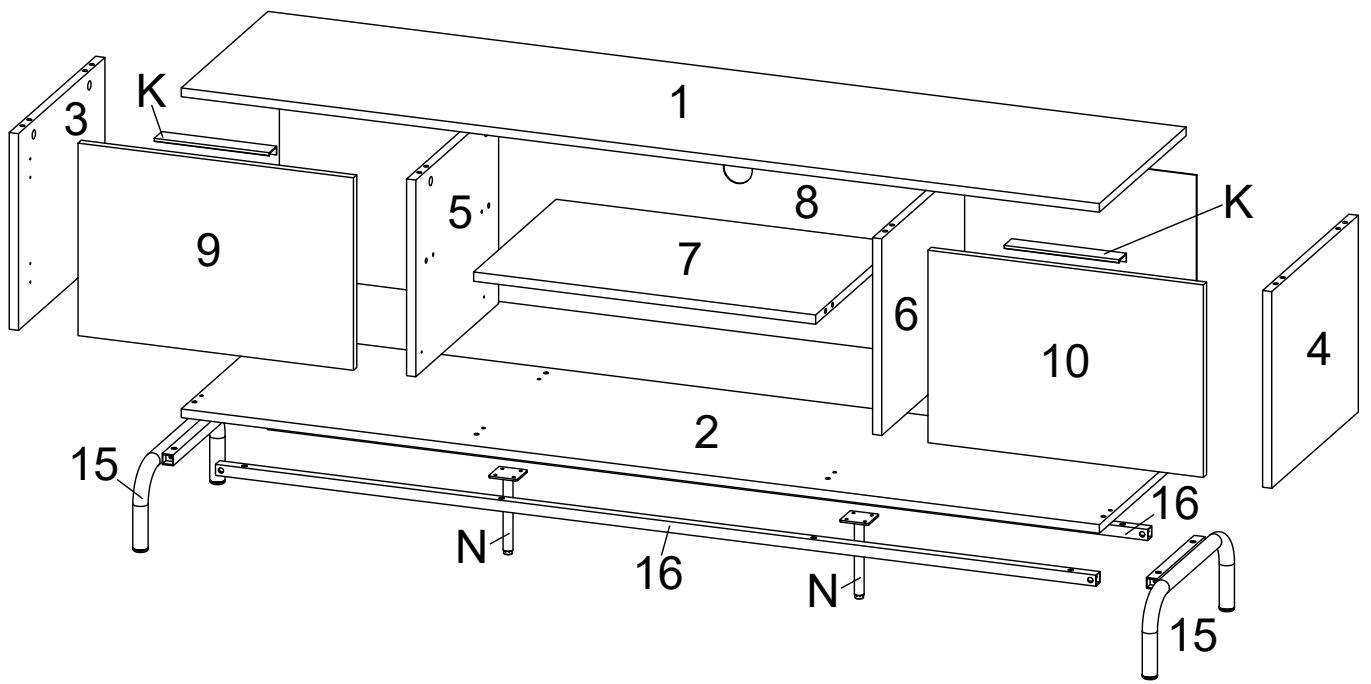


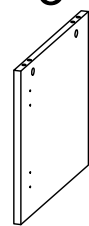
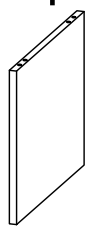
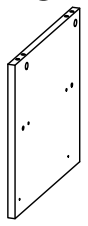
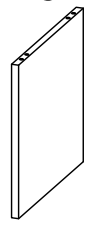
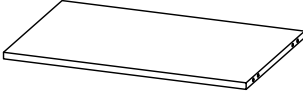
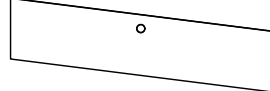


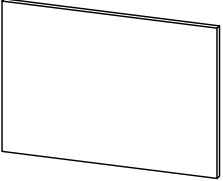
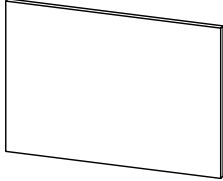
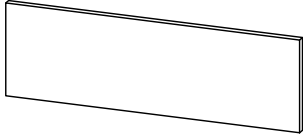
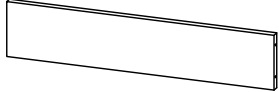
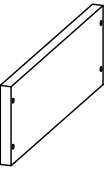

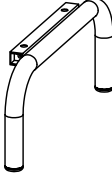

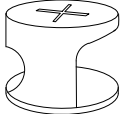
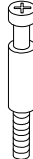
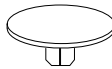
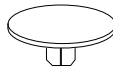
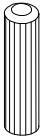
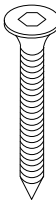
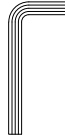

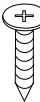
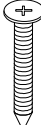
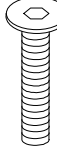
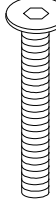
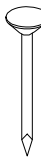

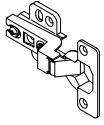
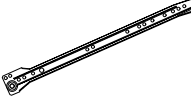
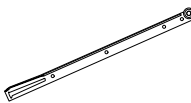
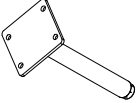
60'



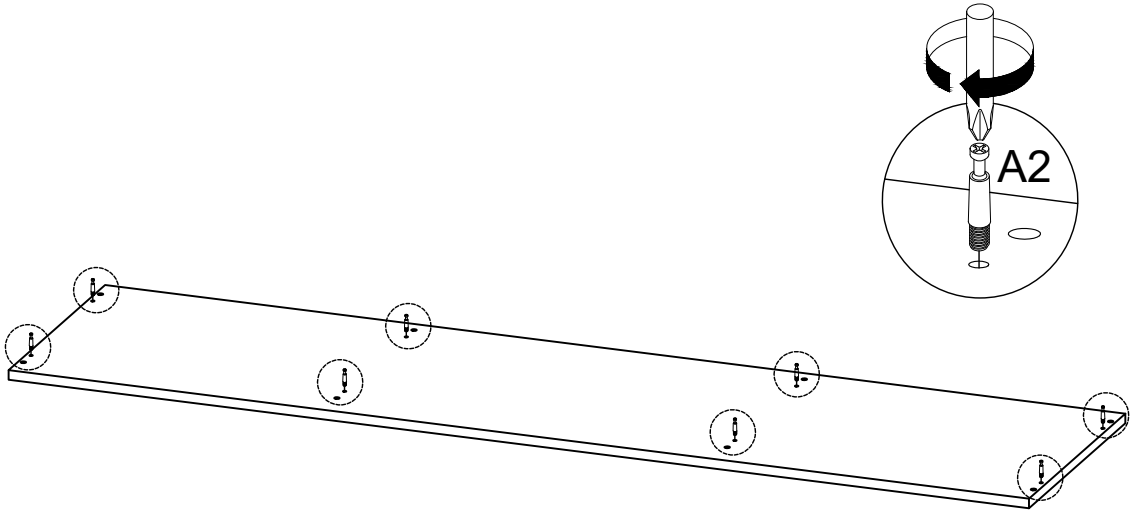
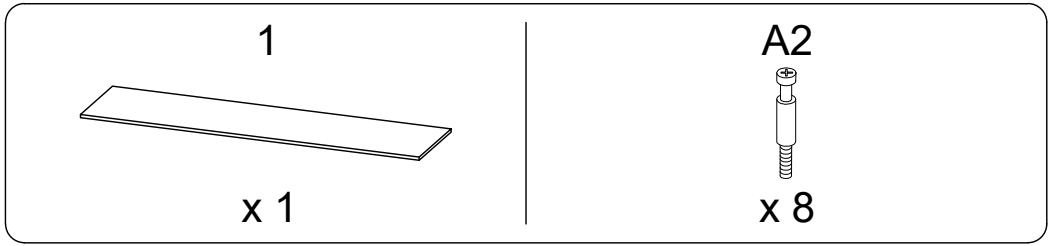
2



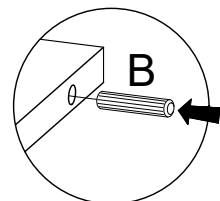
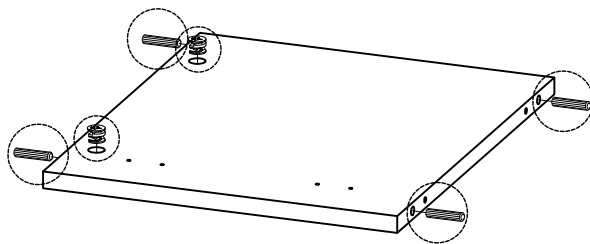
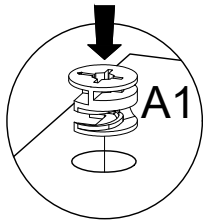
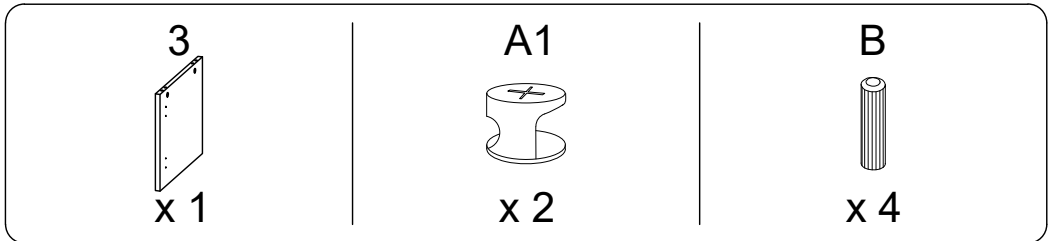
<p>1</p>  <p>x 1</p>	<p>2</p>  <p>x 1</p>	<p>3</p>  <p>x 1</p>	<p>4</p>  <p>x 1</p>
<p>5</p>  <p>x 1</p>	<p>6</p>  <p>x 1</p>	<p>7</p>  <p>x 1</p>	<p>8</p>  <p>x 1</p>

<p>9</p>  <p>x 1</p>	<p>10</p>  <p>x 1</p>	<p>11</p>  <p>x 1</p>	<p>12</p>  <p>x 1</p>		
<p>13</p>  <p>x 2</p>	<p>14</p>  <p>x 1</p>	<p>15</p>  <p>x 2</p>	<p>16</p>  <p>x 2</p>		
<p>A1</p>  <p>x 12</p>	<p>A2</p>  <p>x 12</p>	<p>A3</p>  <p>x 8</p>	<p>A4</p>  <p>x 4</p>	<p>B</p>  <p>Ø8 x 30</p> <p>x 20</p>	<p>C</p>  <p>M6 x 50</p> <p>x 8</p>
<p>D</p>  <p>x 1</p>	<p>E</p>  <p>M3 x 12</p> <p>x 6</p>	<p>F</p>  <p>M3.5 x 16</p> <p>x 44</p>	<p>G</p>  <p>M4 x 38</p> <p>x 8</p>	<p>H</p>  <p>M6 x 30</p> <p>x 12</p>	<p>I</p>  <p>M6 x 40</p> <p>x 4</p>
<p>J</p>  <p>x 38</p>	<p>K</p>  <p>x 3</p>	<p>L</p>  <p>x 4</p>	<p>M1</p>  <p>x 2</p>	<p>M2</p>  <p>x 2</p>	<p>N</p>  <p>x 2</p>

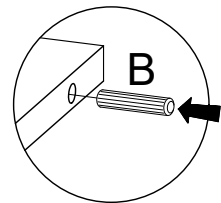
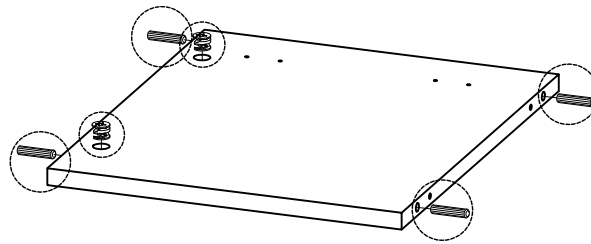
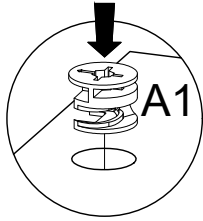
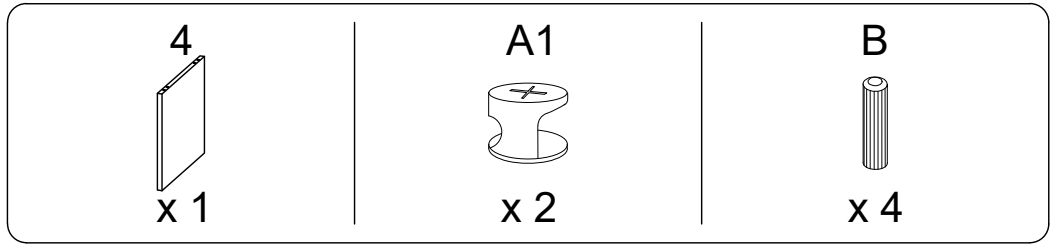
1



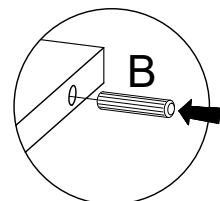
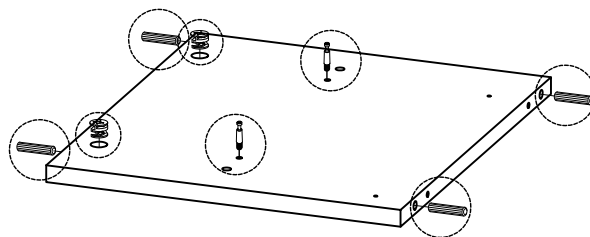
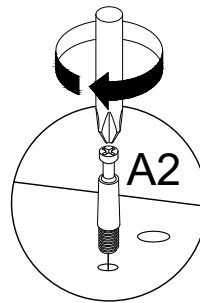
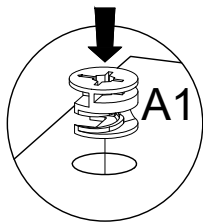
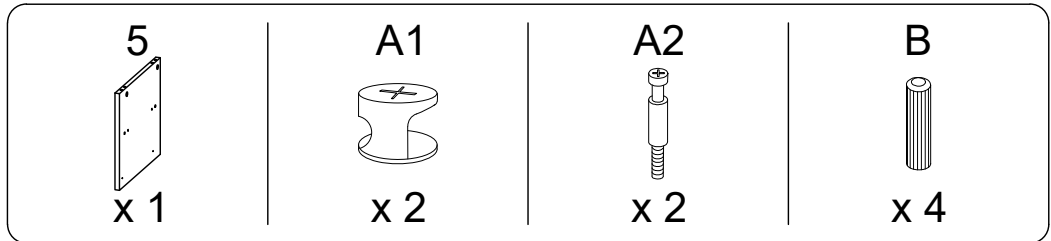
2



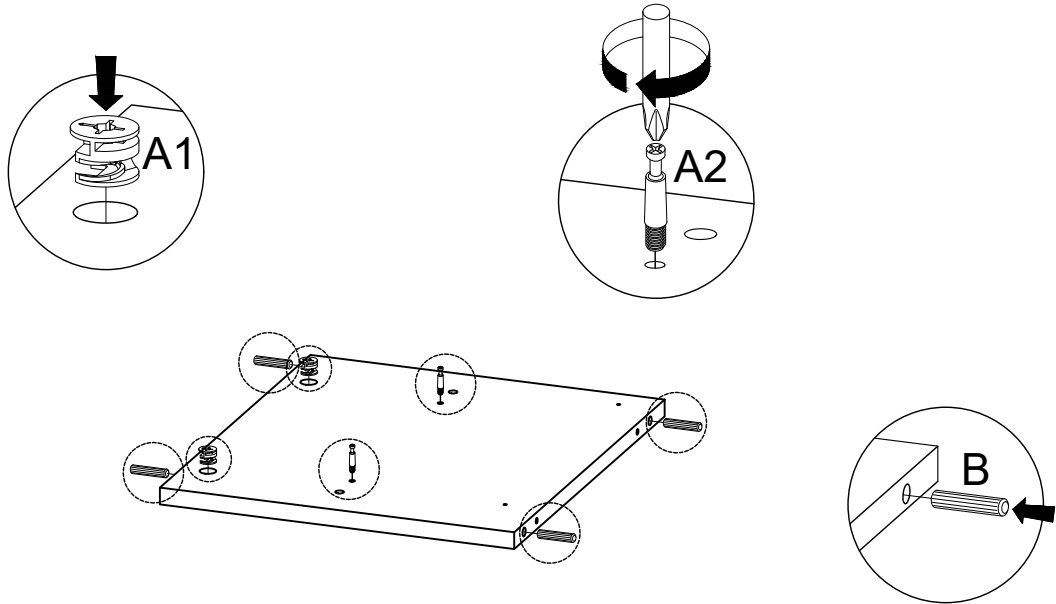
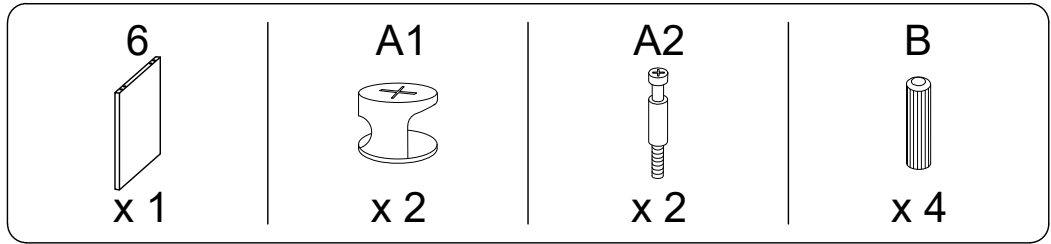
3



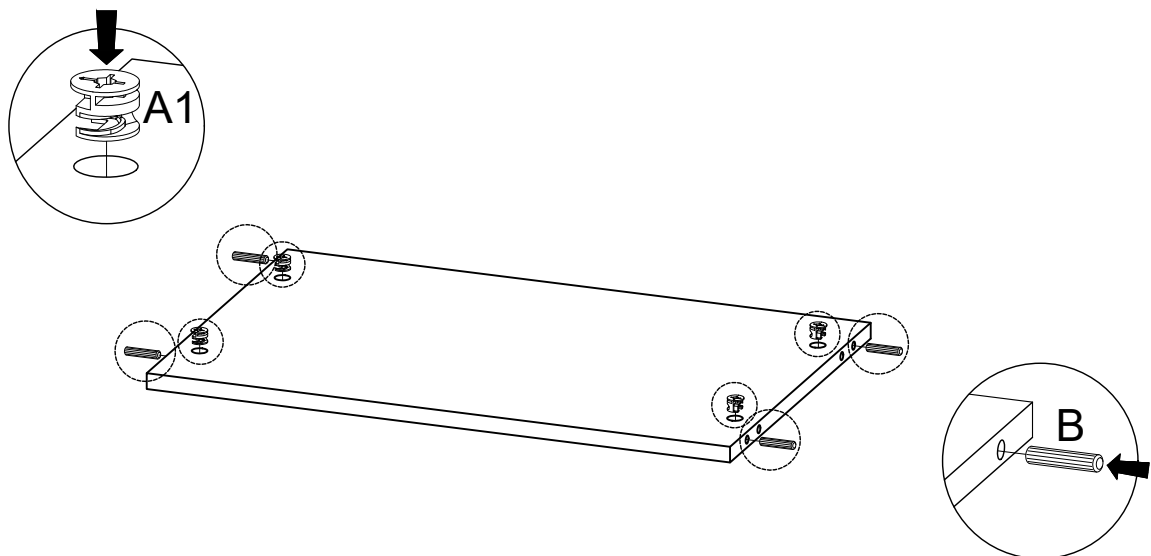
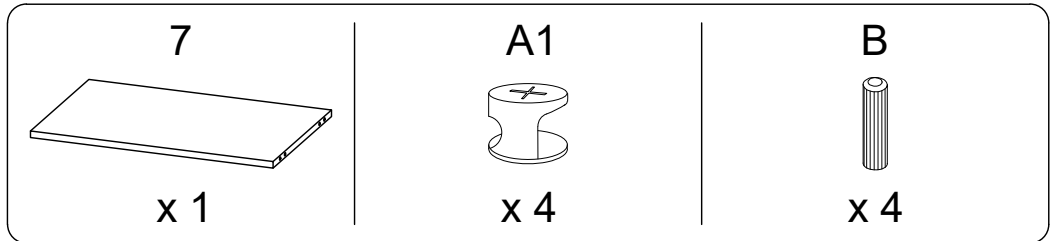
4



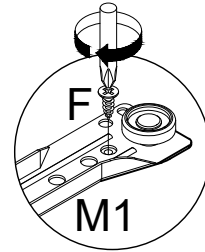
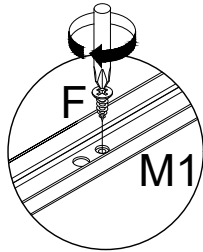
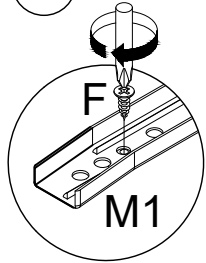
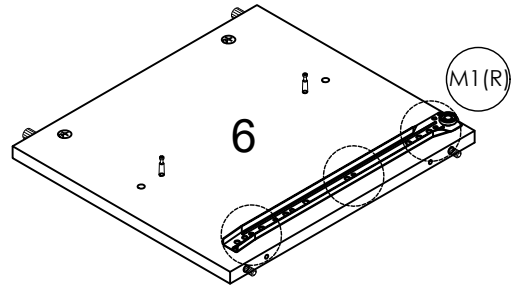
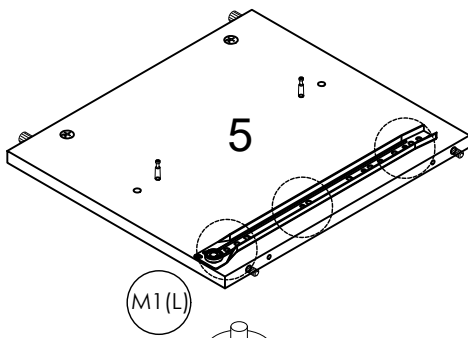
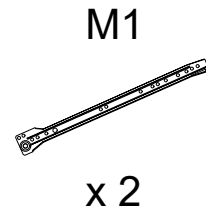
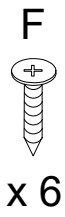
5



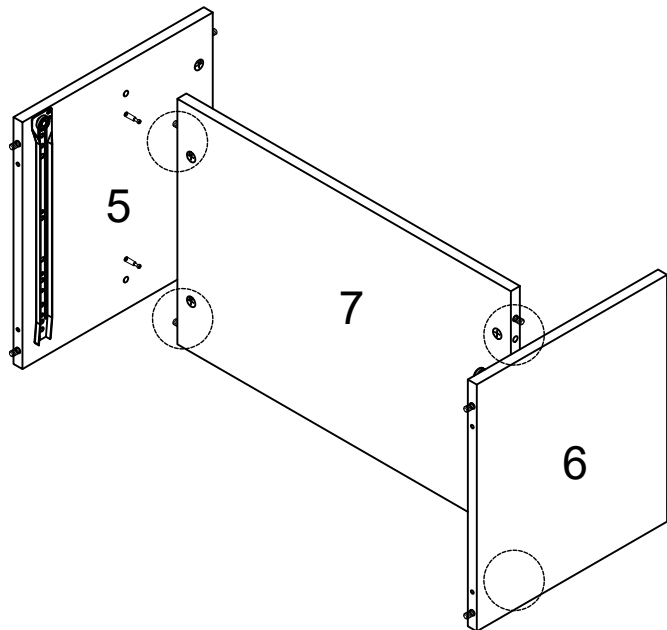
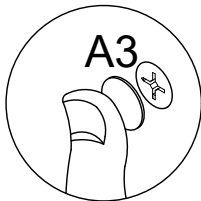
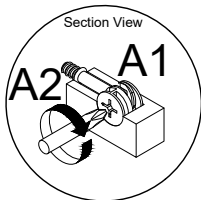
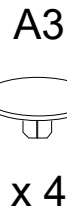
6



7

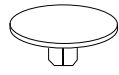


8



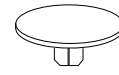
9

A3

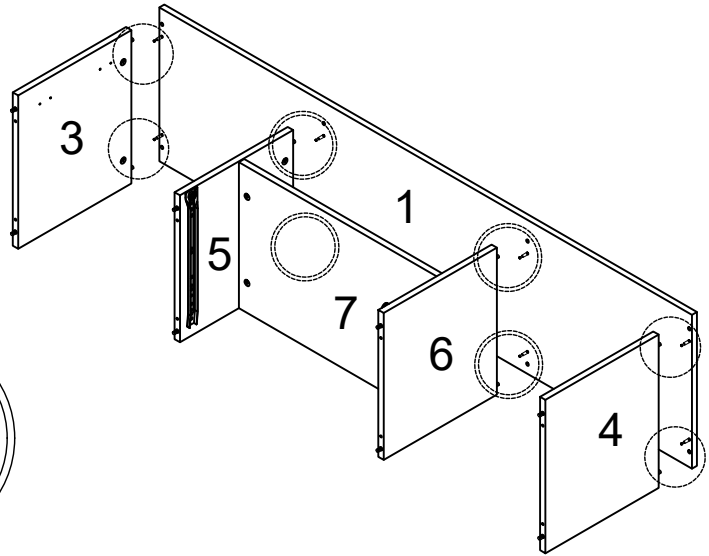
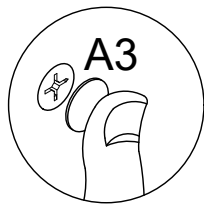
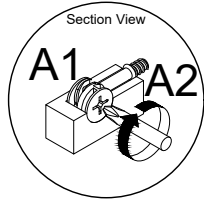


x 4

A4



x 4



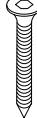
10

2



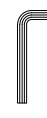
x 1

C

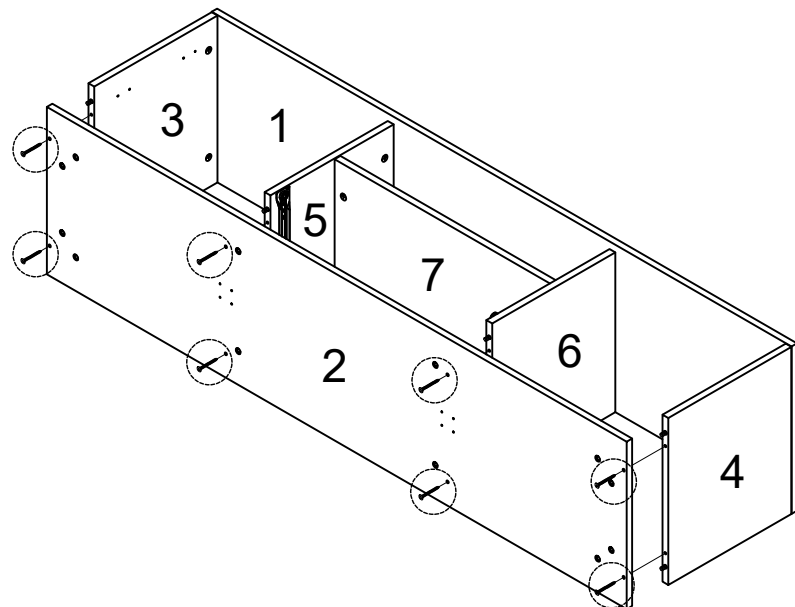
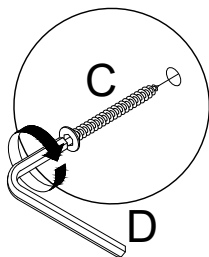


x 8

D

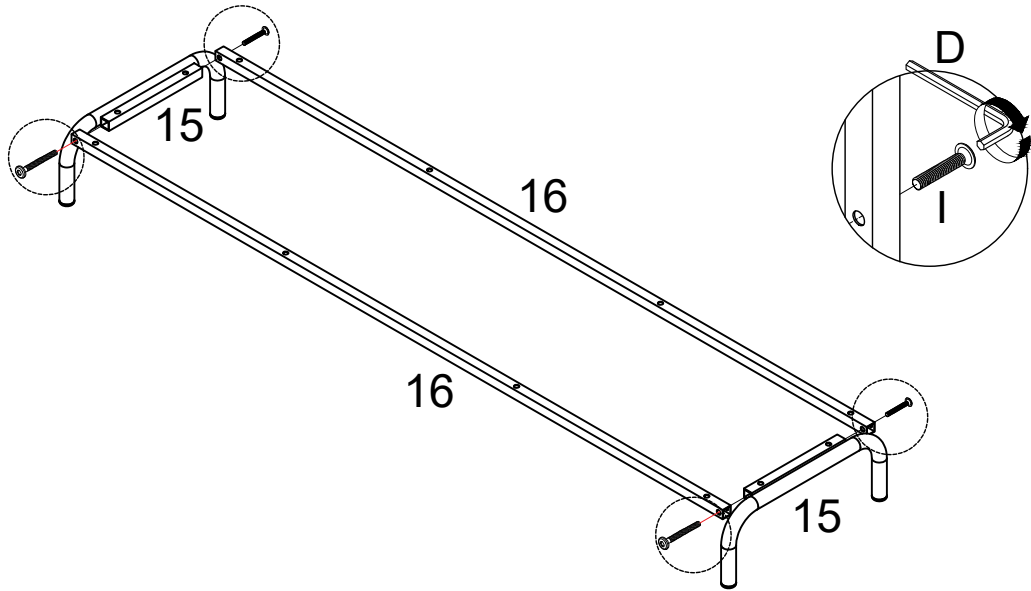
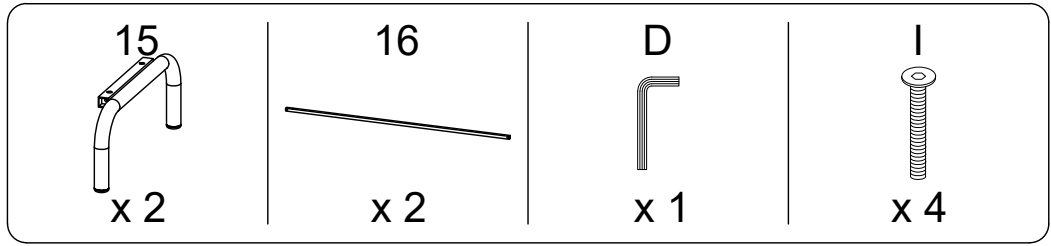


x 1

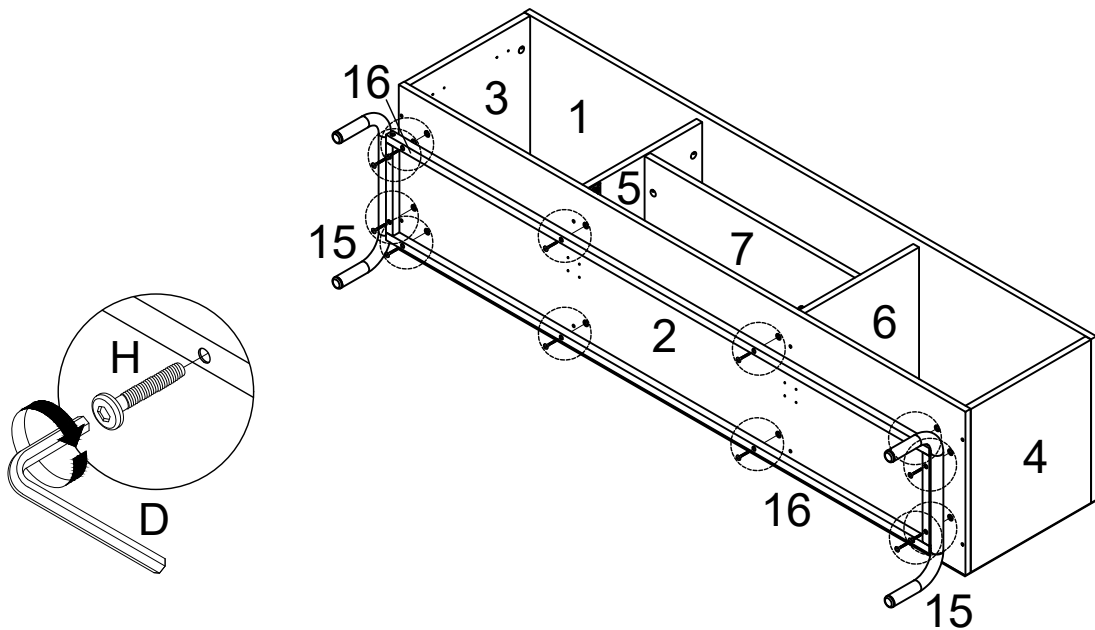
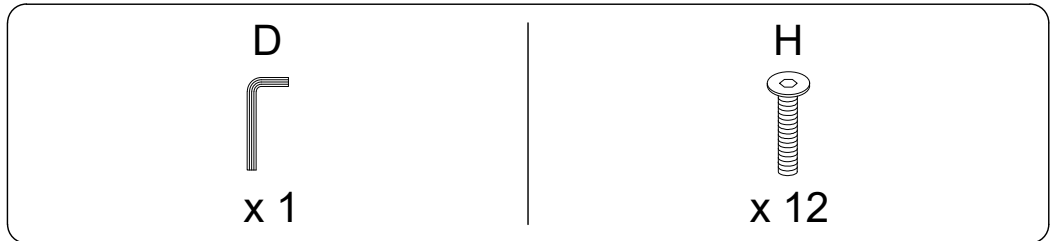




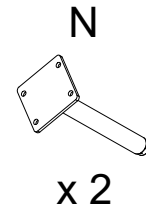
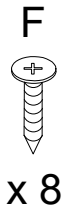
11



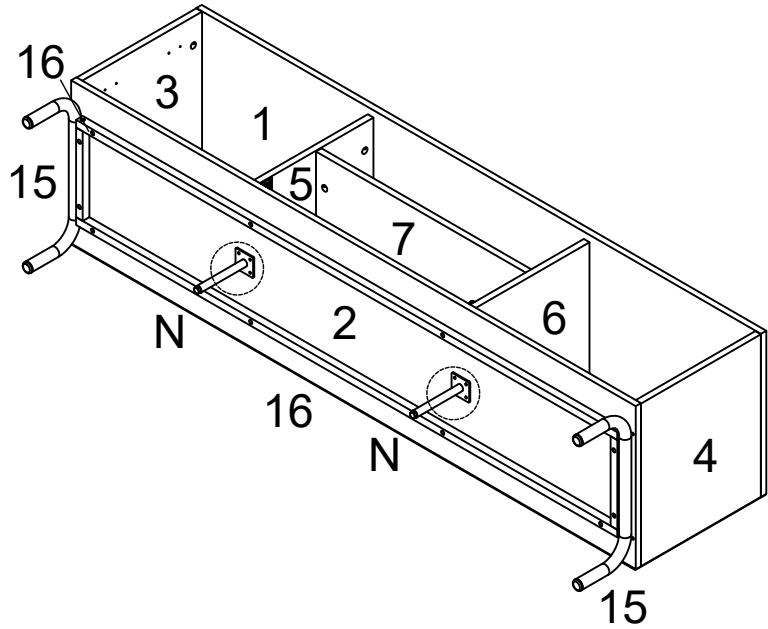
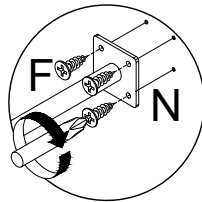
12



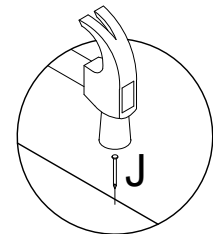
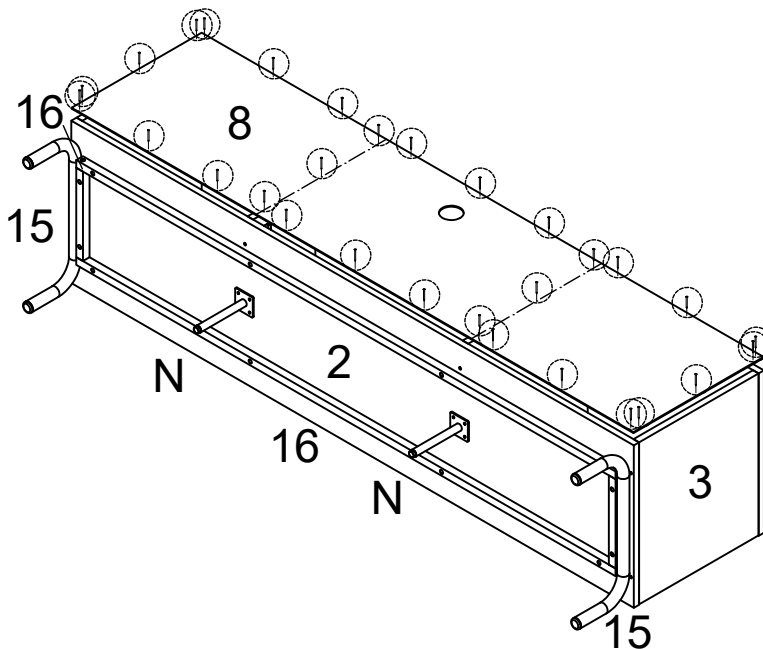
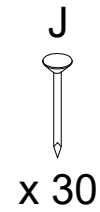
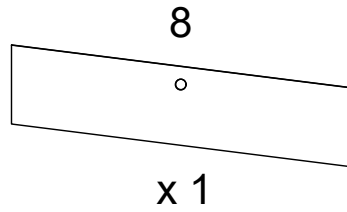
# 13



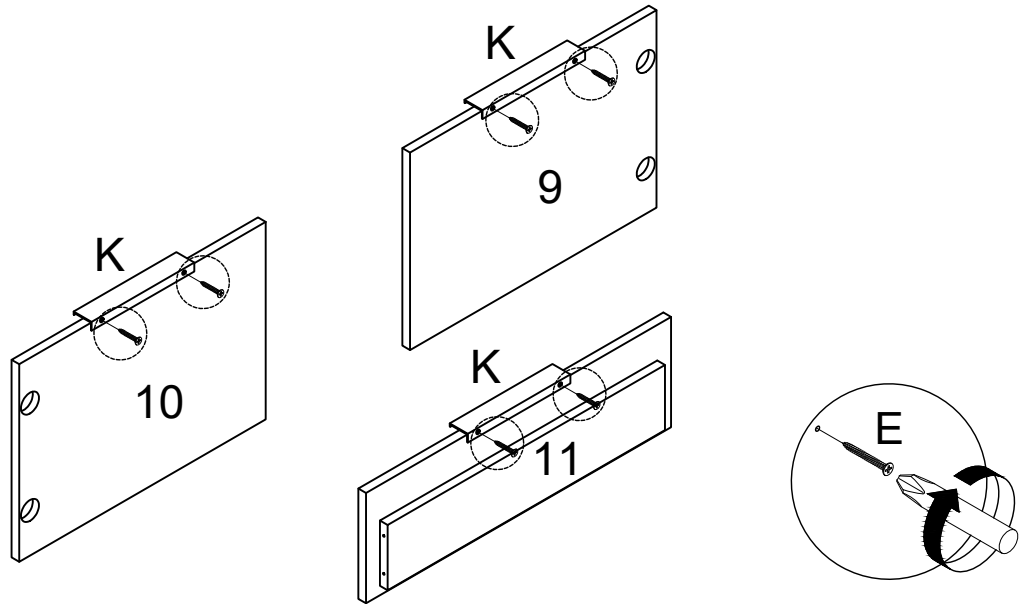
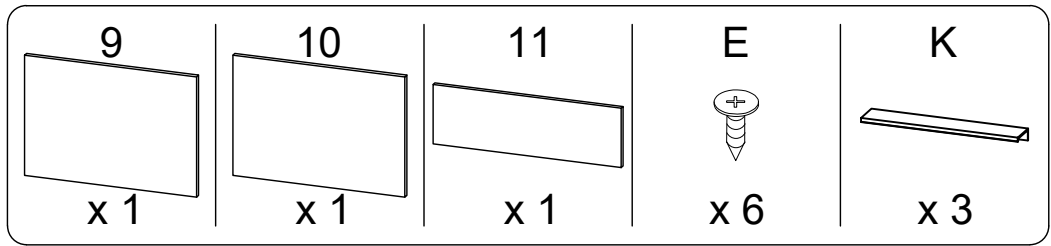
Please note that the hardware N has a **Plastic adjuster** at the bottom to unscrew and adjust the height of hardware N if necessary.



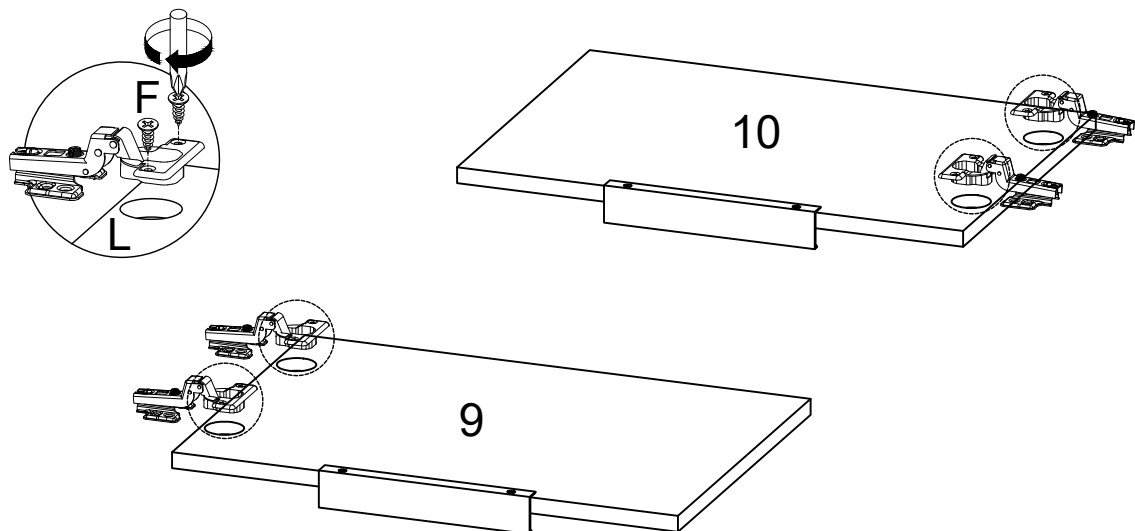
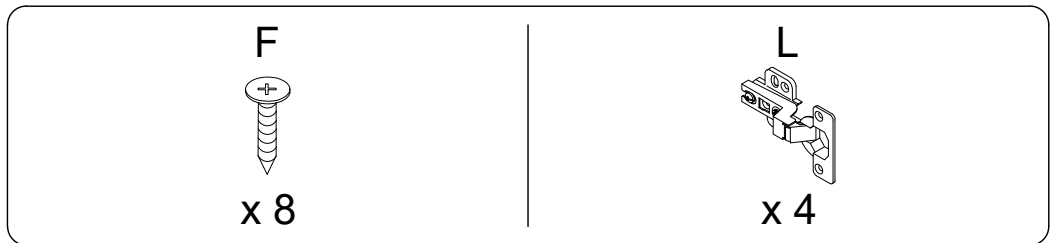
# 14



15

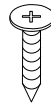


16

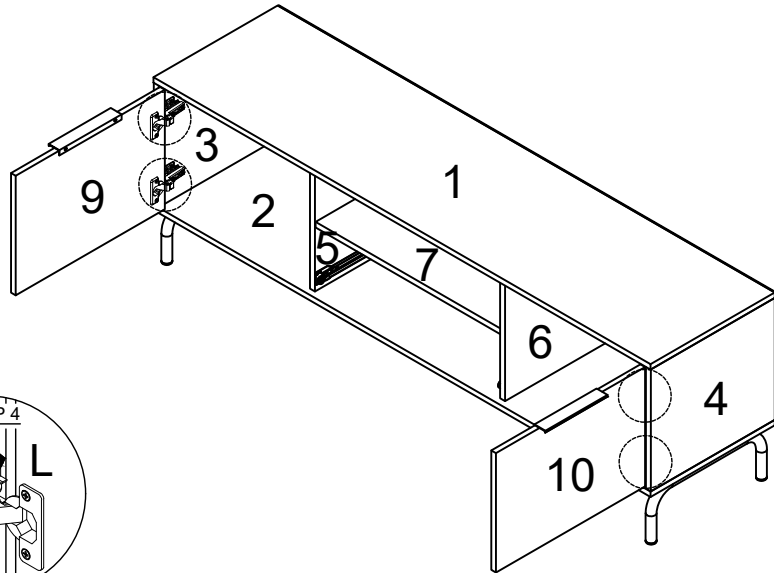
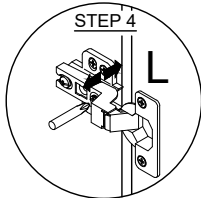
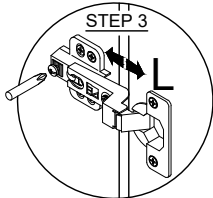
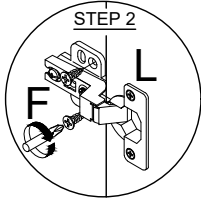
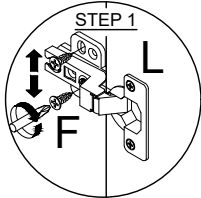


17

F

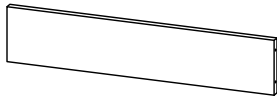


x 16



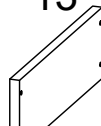
18

12



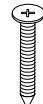
x 1

13

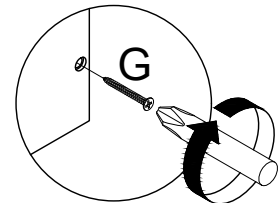
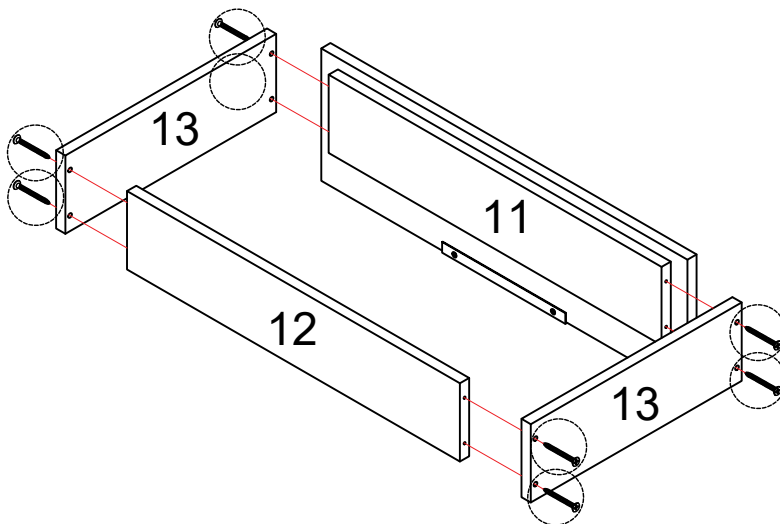


x 2

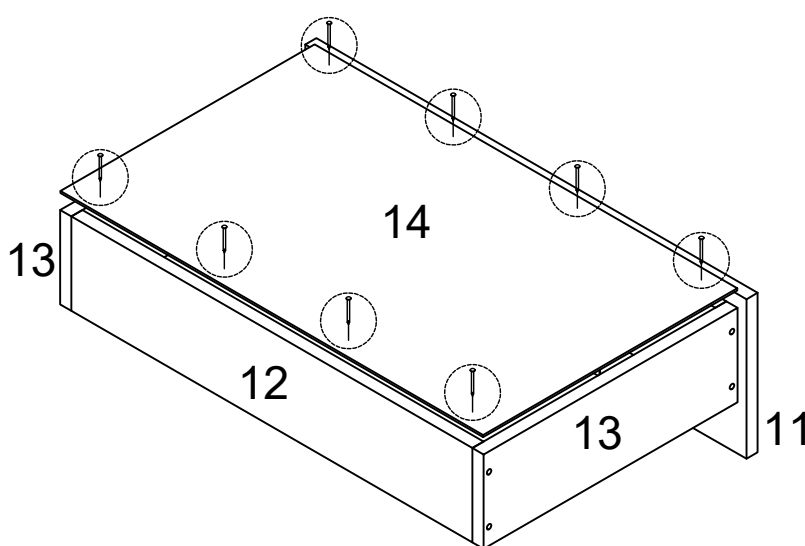
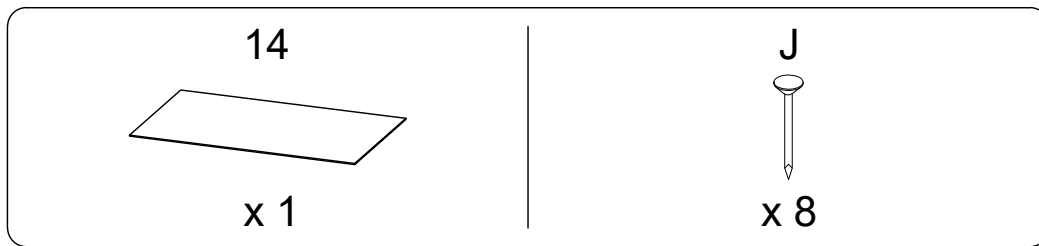
G



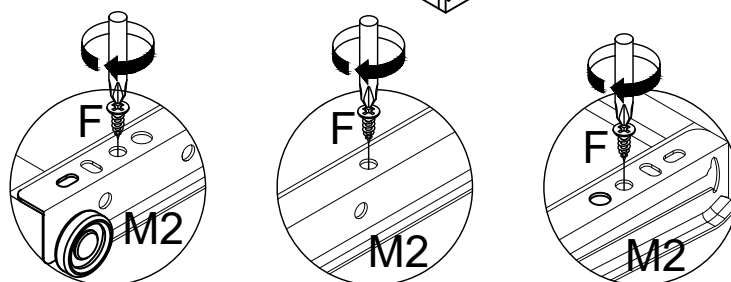
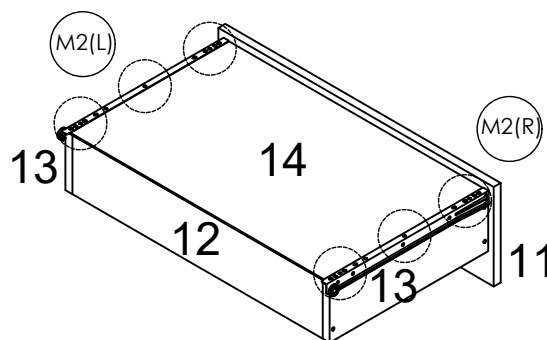
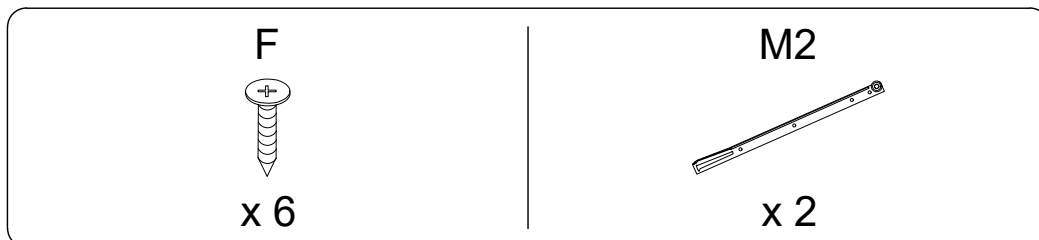
x 8



19



20



21

