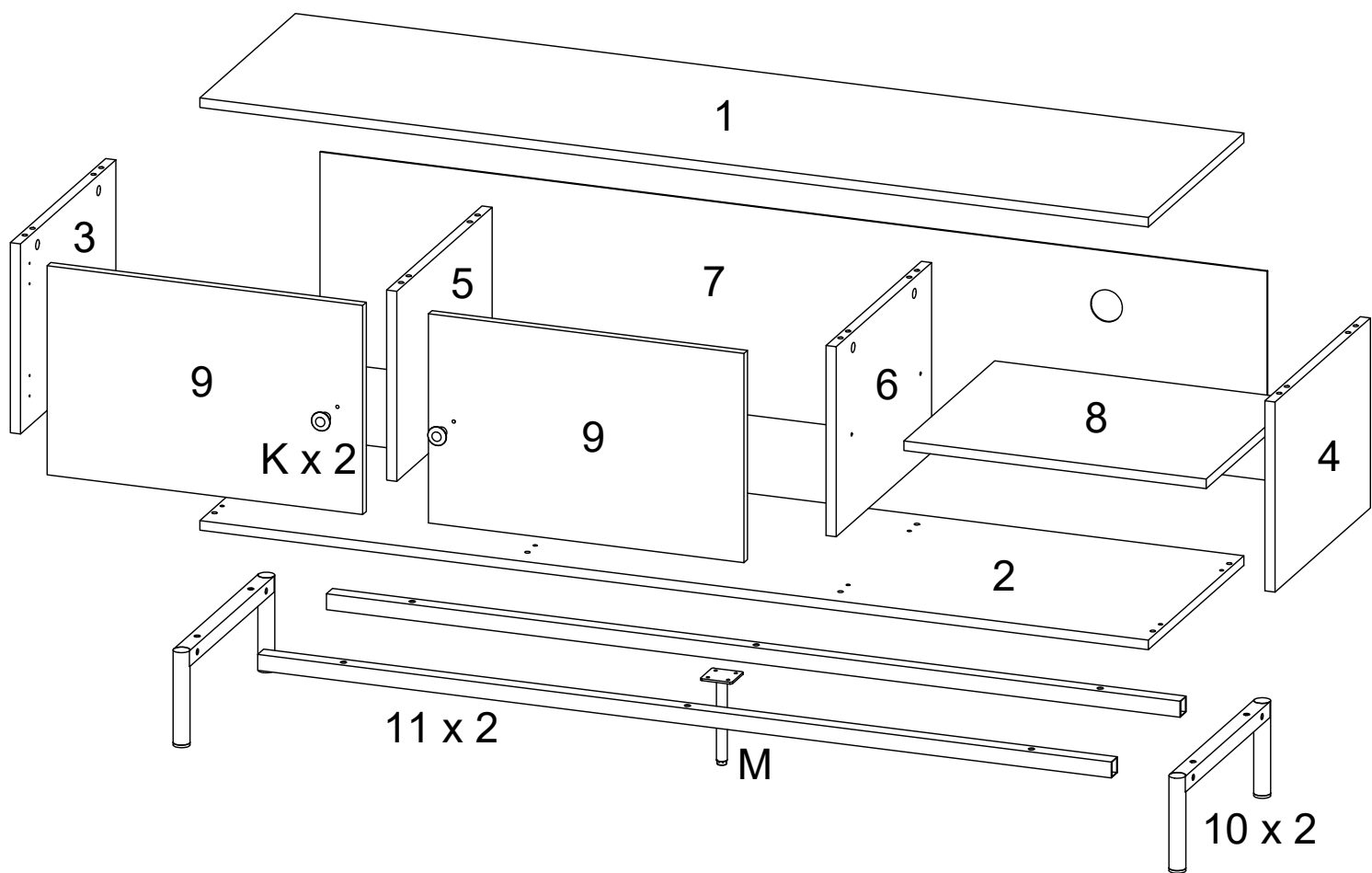

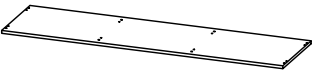
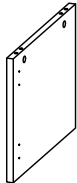
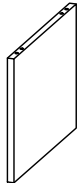


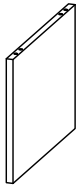
Assembly instructions for step 1/11:

- Tools:** A circle containing a screwdriver, a hammer, and an L-shaped bracket. A power drill is shown with a diagonal line through it, indicating it is not to be used.
- Warning:** A triangle with an exclamation mark.
- Time:** A clock icon with the text "60'" below it, indicating a 60-minute assembly time.
- Personnel:** A stick figure icon with the number "2" below it, indicating that two people are required for assembly.



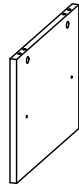
<p>1</p>  <p>x 1</p>	<p>2</p>  <p>x 1</p>	<p>3</p>  <p>x 1</p>	<p>4</p>  <p>x 1</p>
---	---	---	---

5



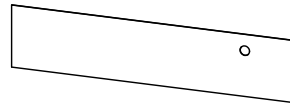
x 1

6



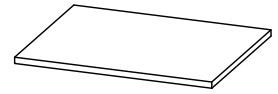
x 1

7



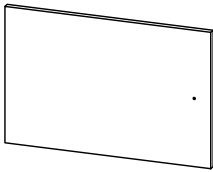
x 1

8



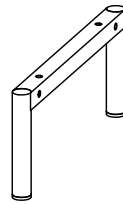
x 1

9



x 2

10



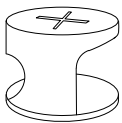
x 2

11



x 2

A1



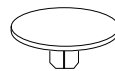
x 8

A2



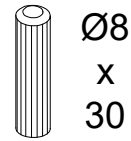
x 8

A3



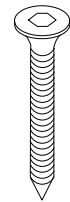
x 8

B



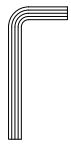
x 16

C



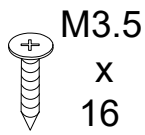
M6
x
50
x 8

D



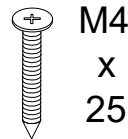
x 1

E



M3.5
x
16
x 28

F



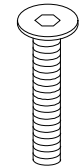
M4
x
25
x 2

G



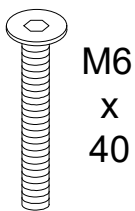
x 26

H



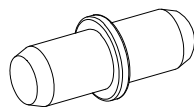
M6
x
30
x 10

I



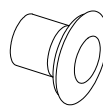
M6
x
40
x 4

J



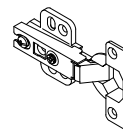
x 4

K



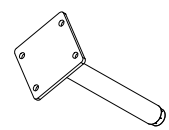
x 2

L



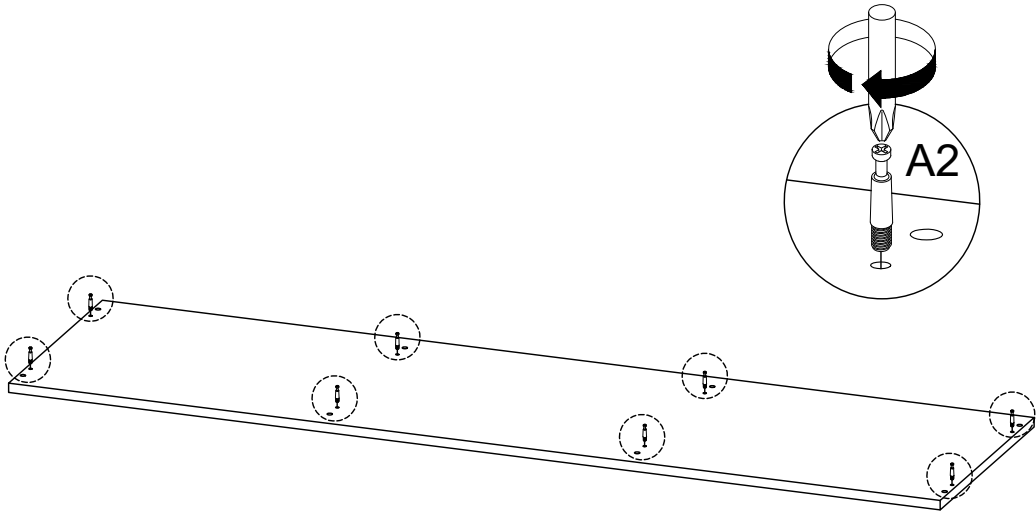
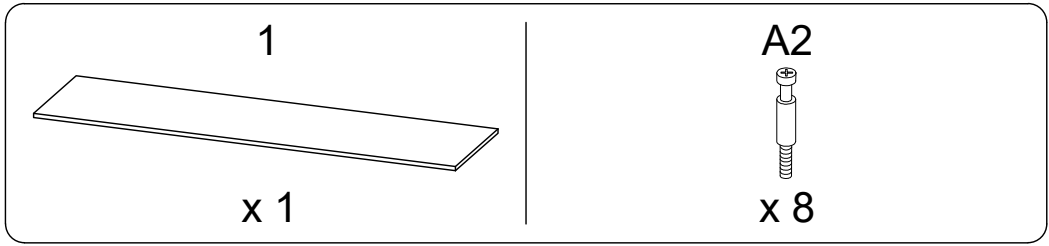
x 4

M

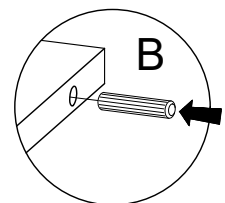
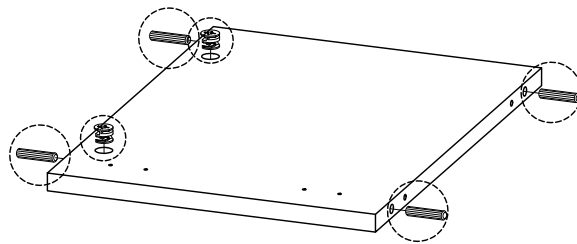
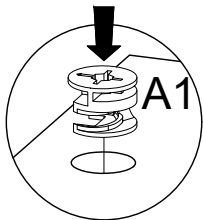
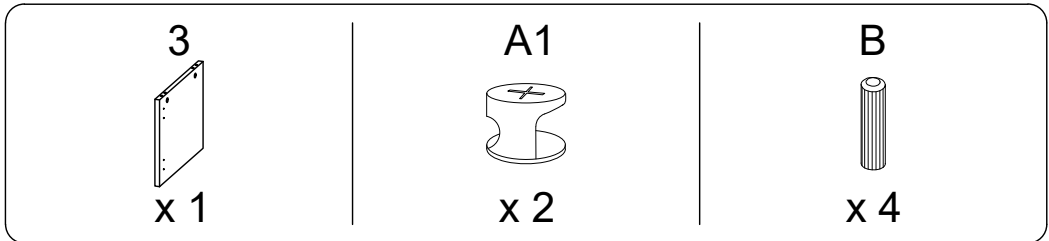


x 1

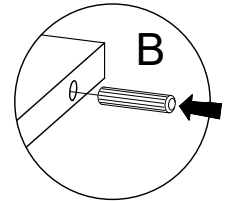
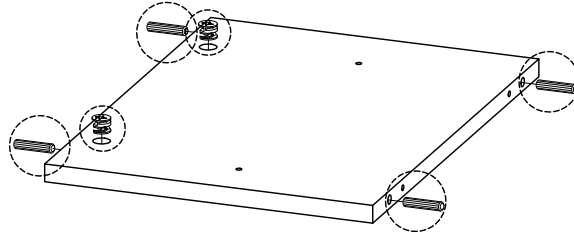
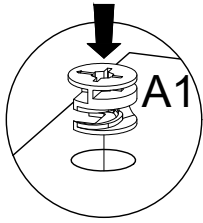
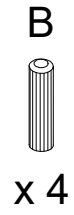
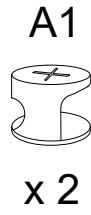
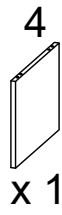
1



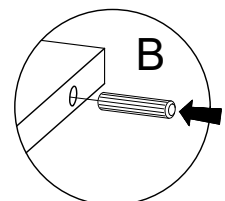
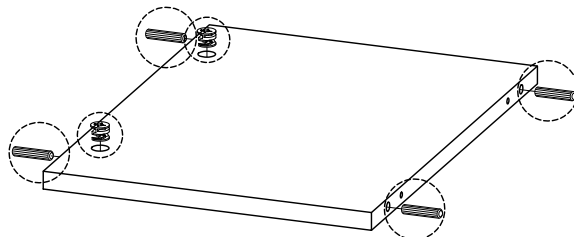
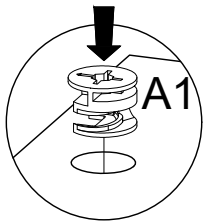
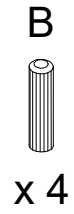
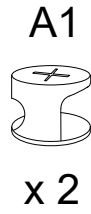
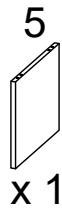
2



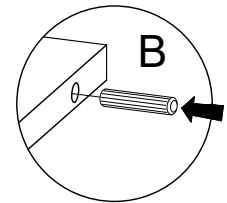
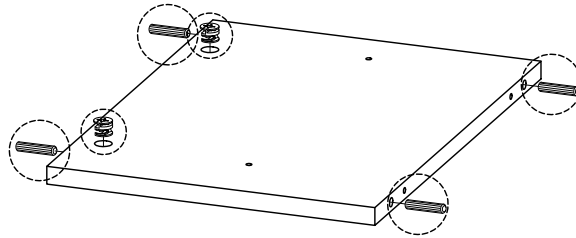
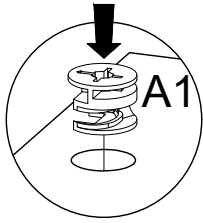
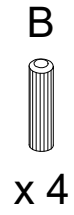
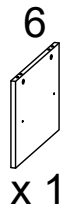
3



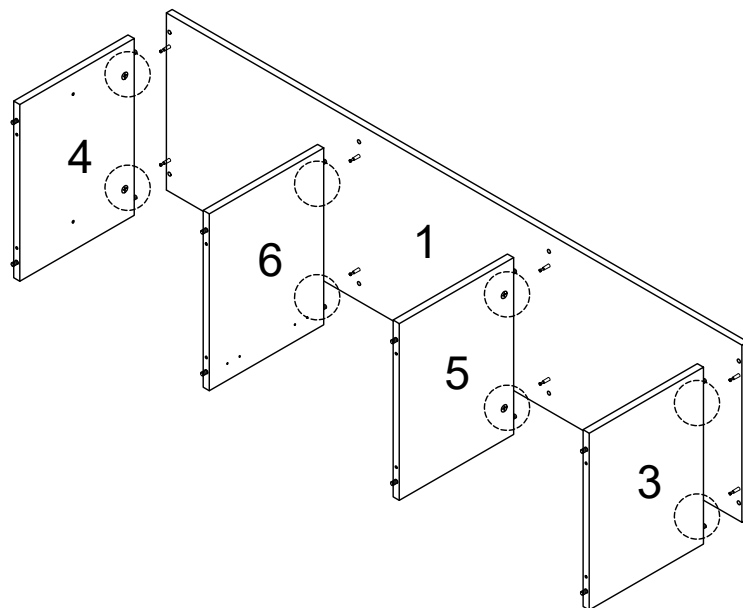
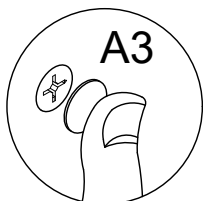
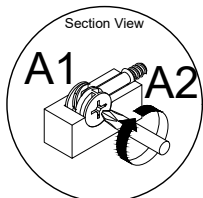
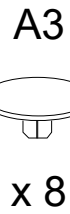
4



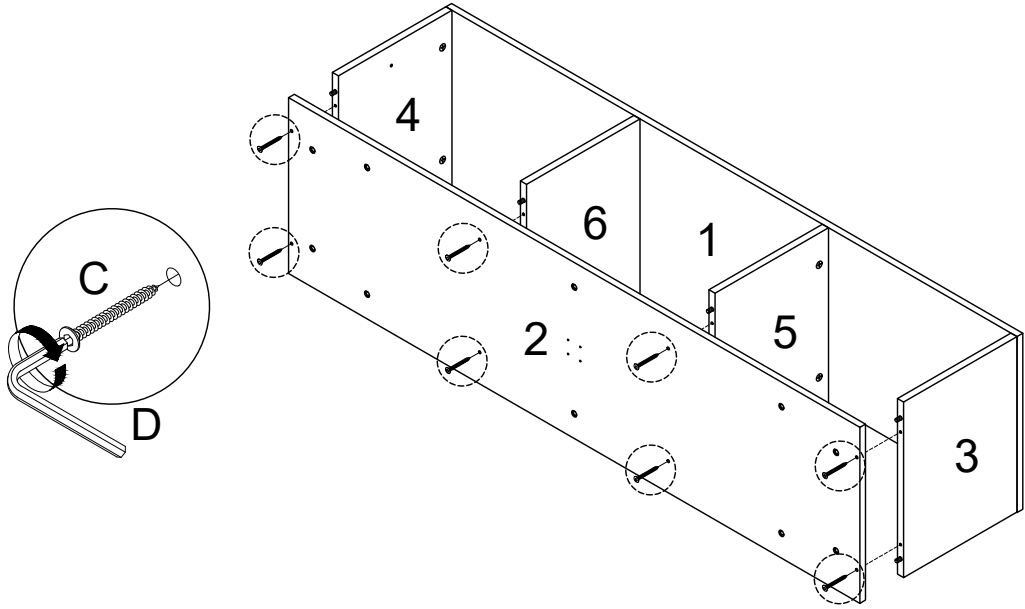
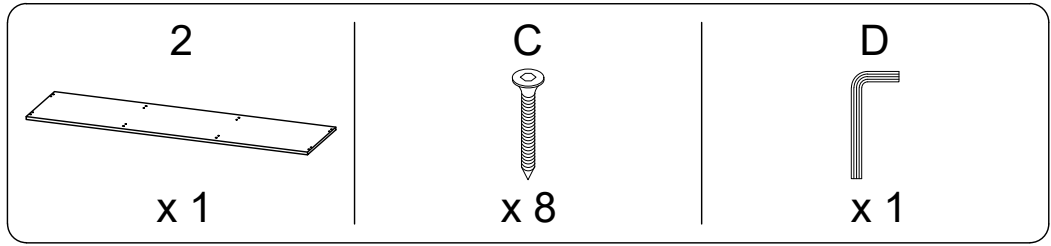
5



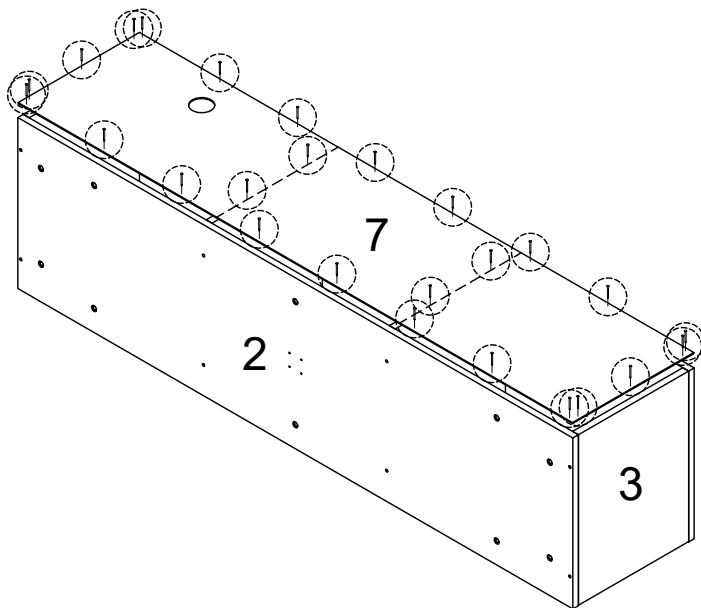
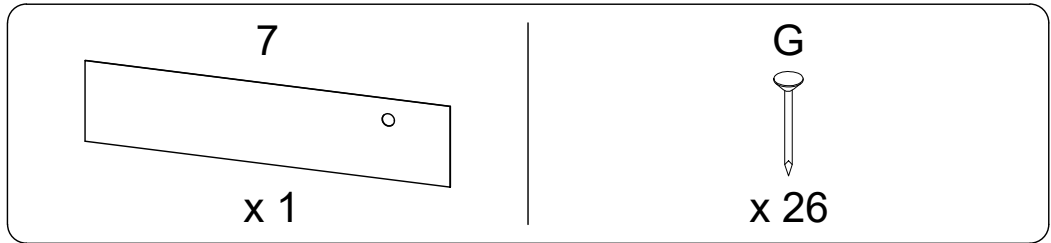
6



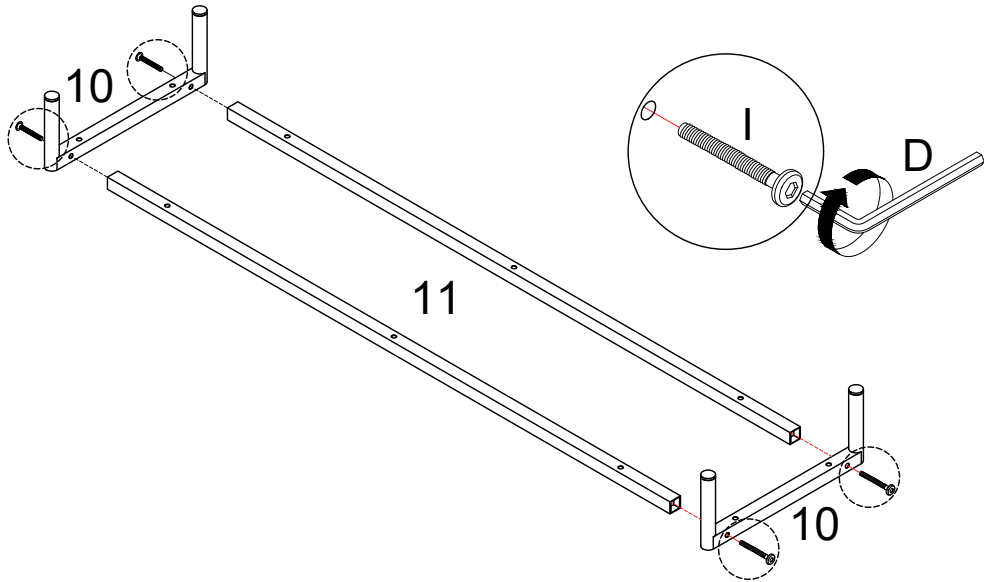
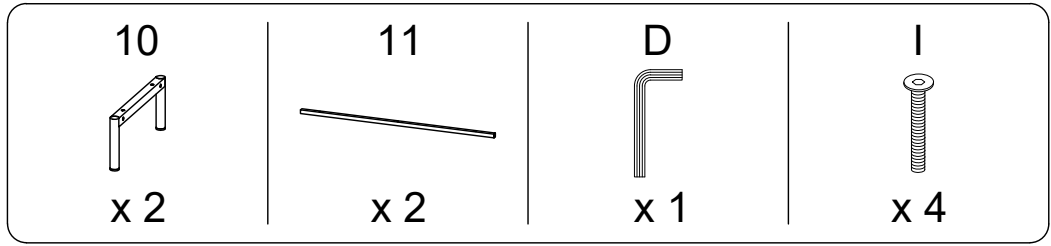
7



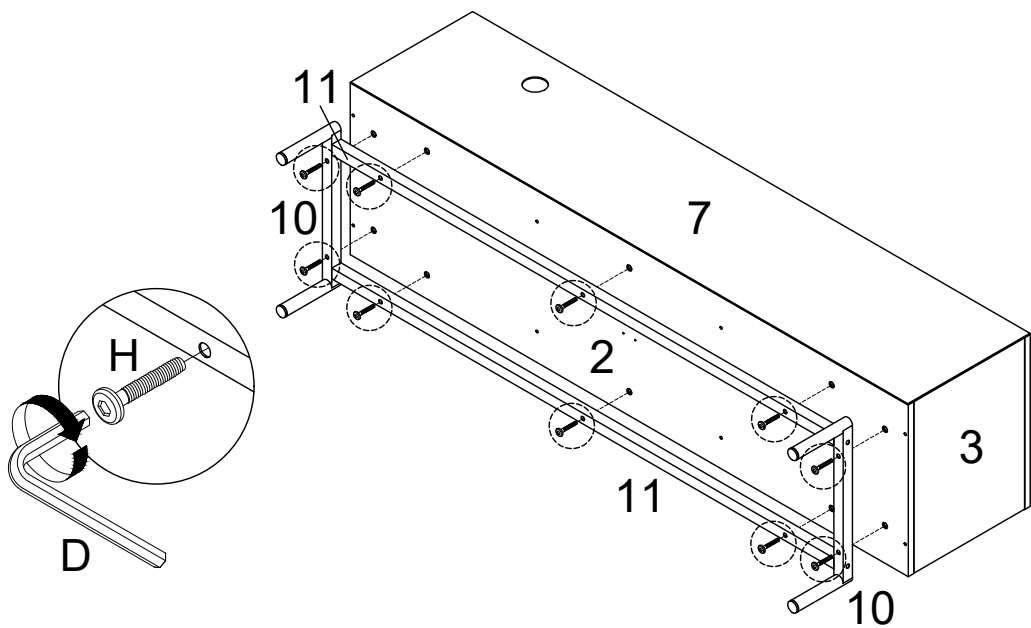
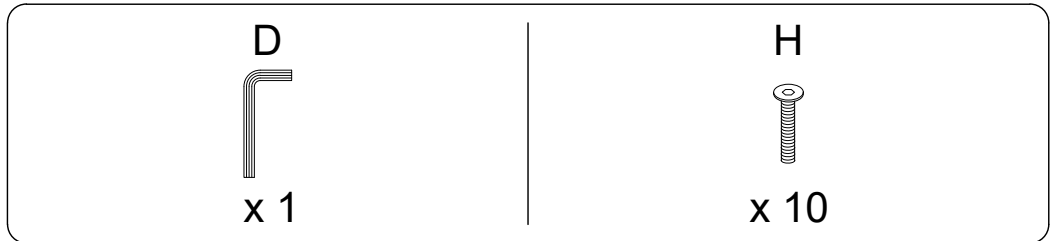
8



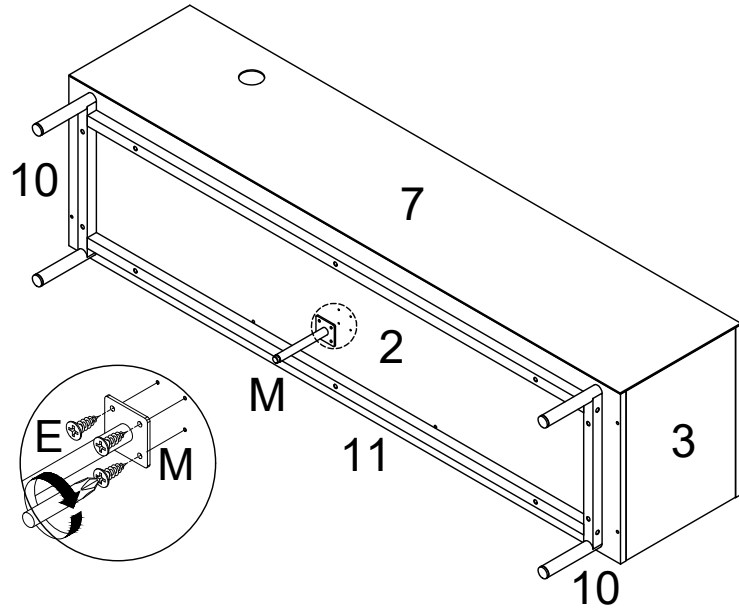
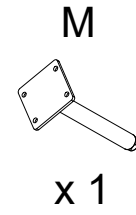
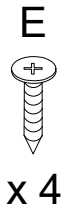
9



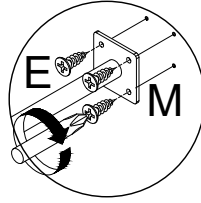
10



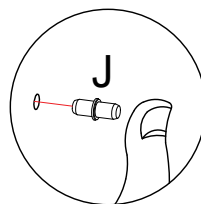
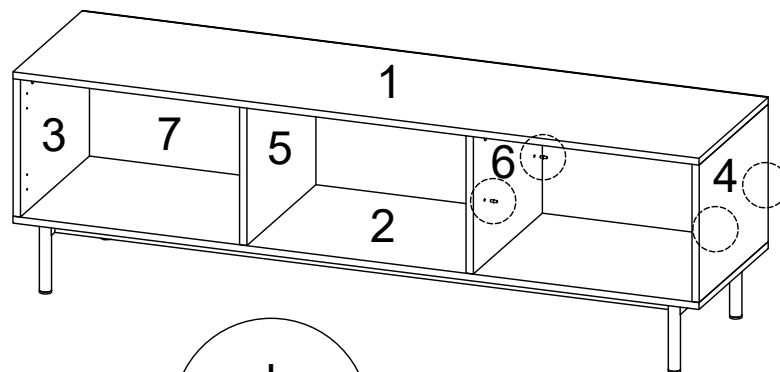
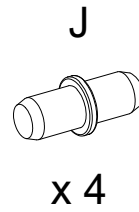
11



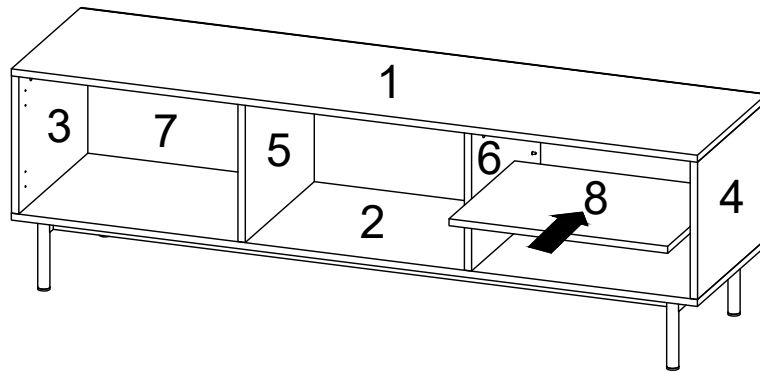
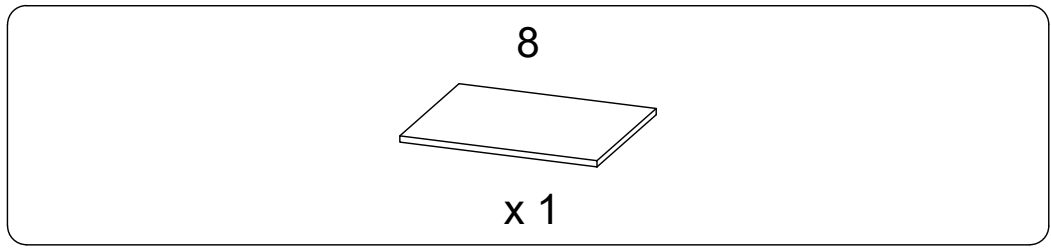
Please note that hardware M has a **Plastic adjuster** at the bottom to unscrew and adjust the height of hardware M if necessary.



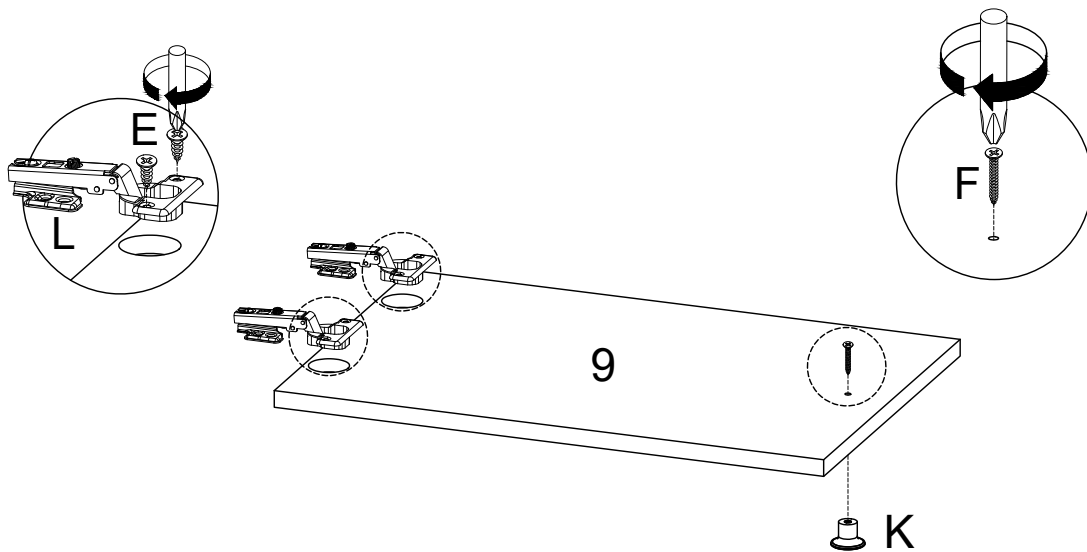
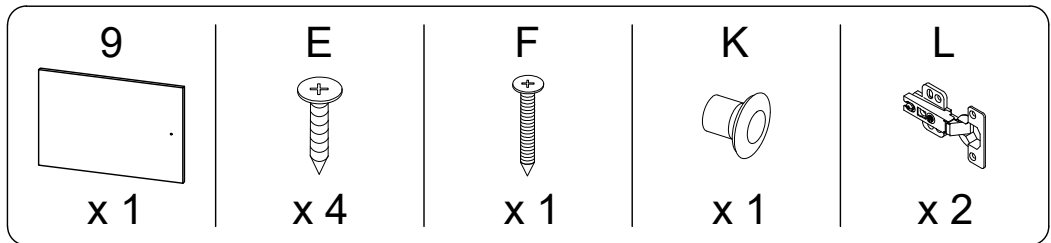
12



13

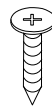


14 x 2



15

E



x 16

