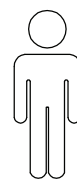
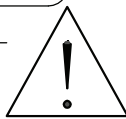
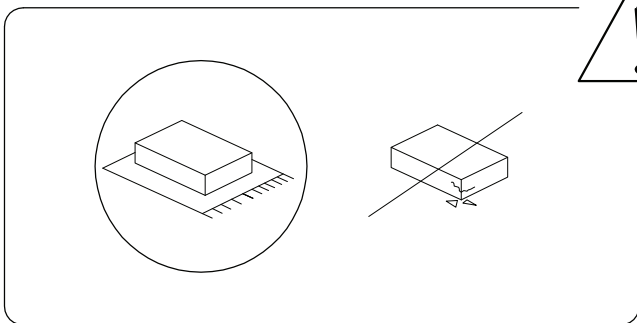
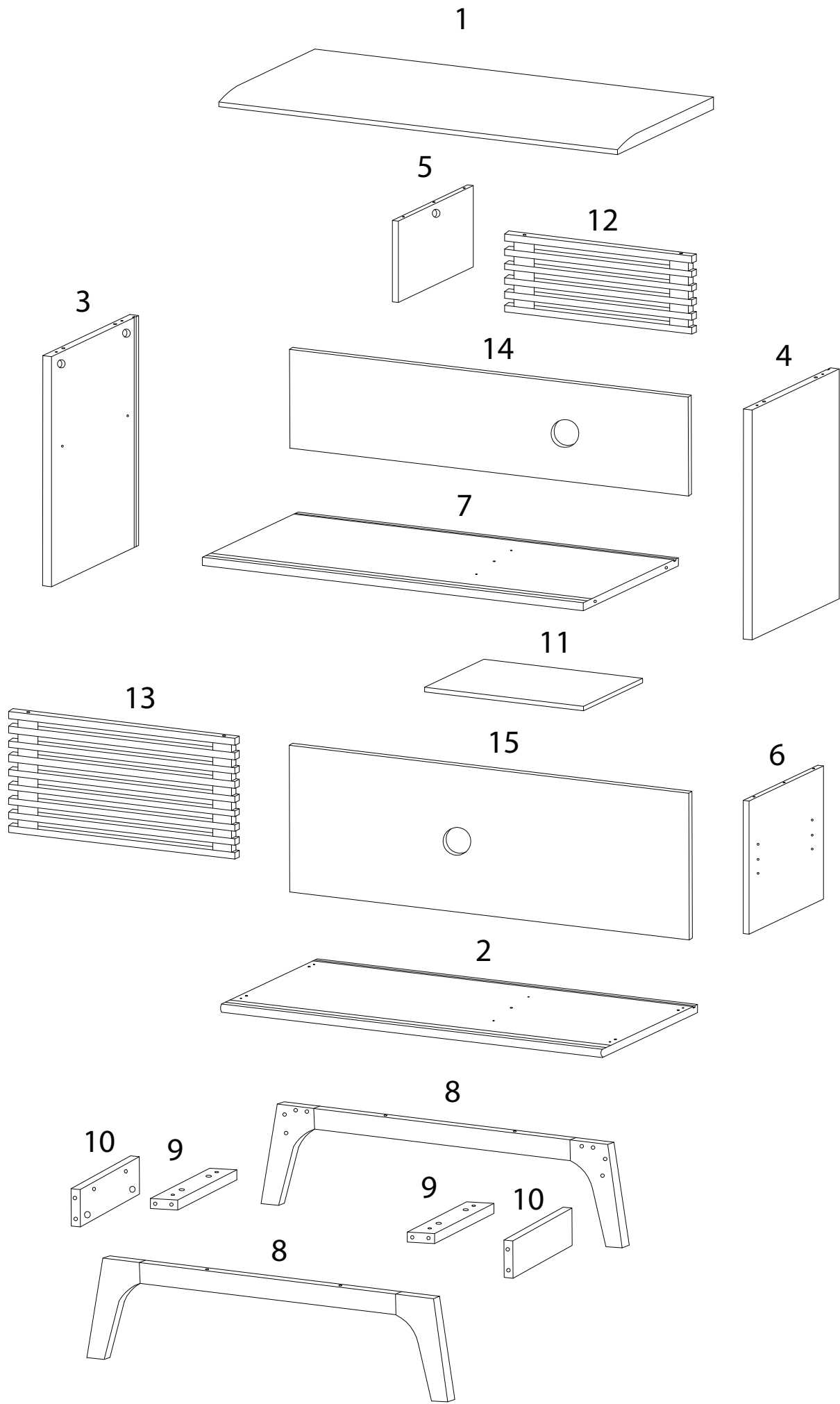


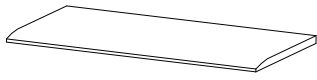
60'



2



1



x 1

2



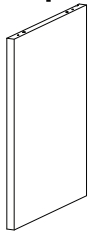
x 1

3



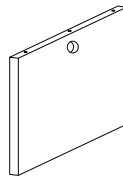
x 1

4



x 1

5



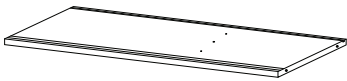
x 1

6



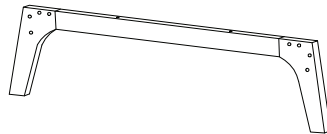
x 1

7



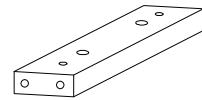
x 1

8



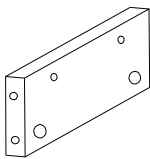
x 2

9



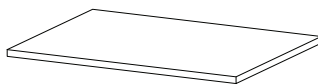
x 2

10



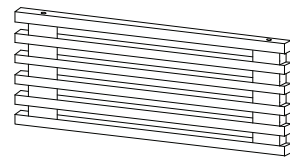
x 2

11



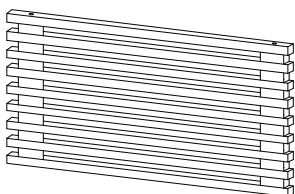
x 1

12



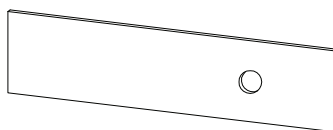
x 1

13



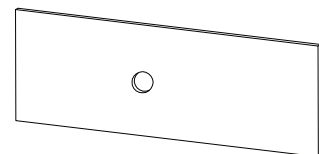
x 1

14



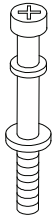
x 1

15



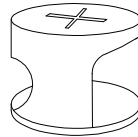
x 1

A



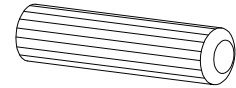
x 10

B



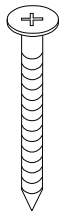
x 10

C



x 40

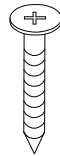
D



12
x
45

x 6

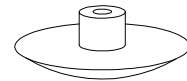
E



12
x
35

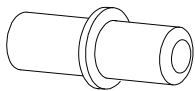
x 4

F



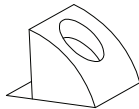
x 2

G



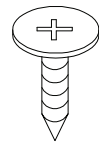
x 4

H



x 8

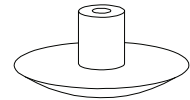
I



3.5
x
15

x 8

J



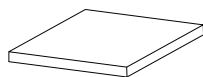
x 4

K



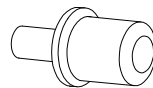
x 4

L



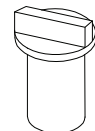
x 4

M



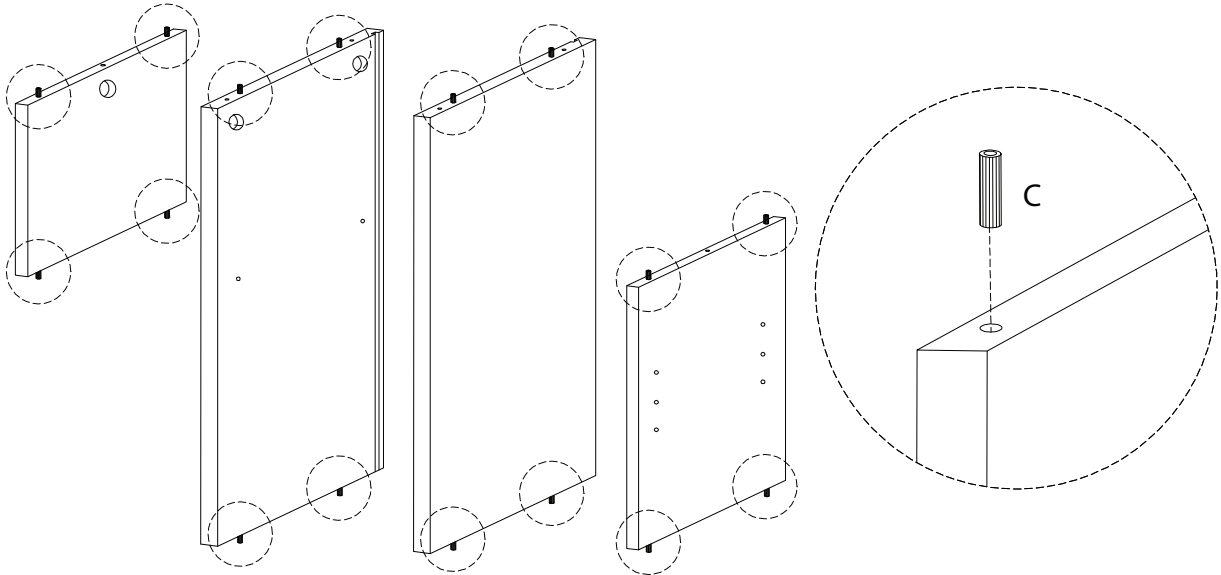
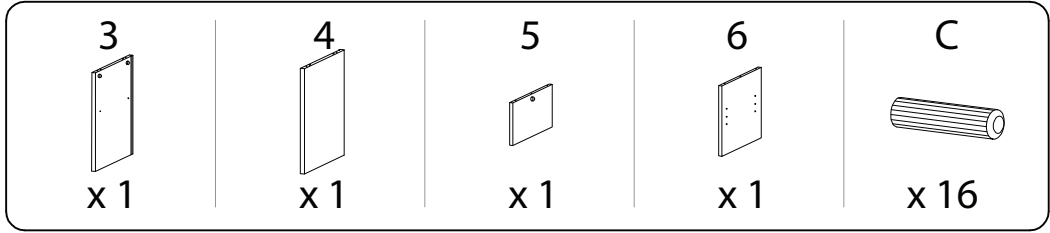
x 4

N

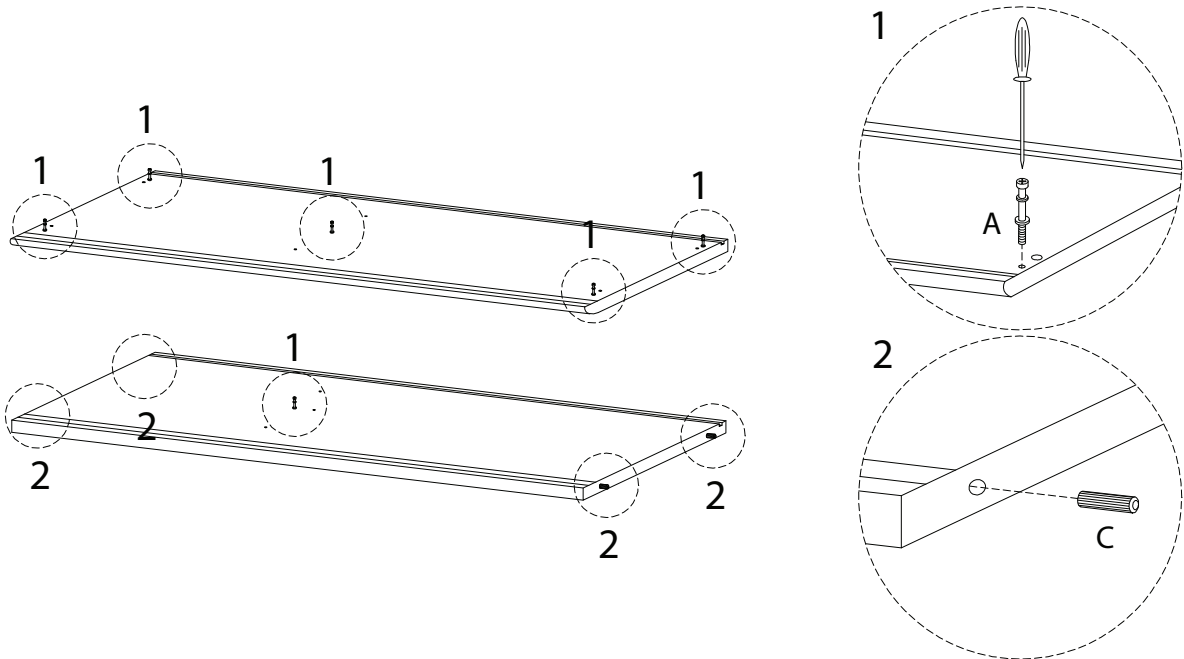
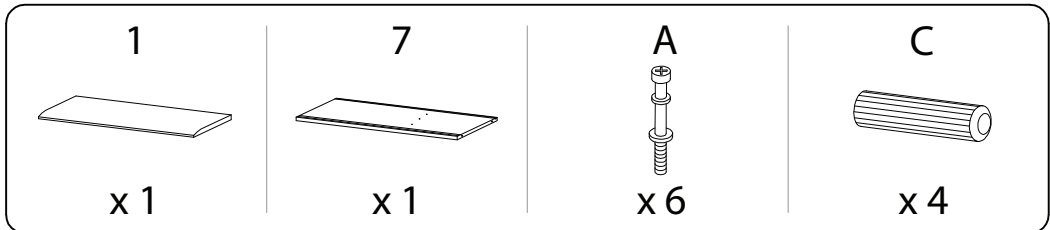


x 4

1



2



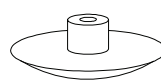
3

B



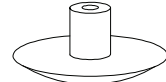
x5

F

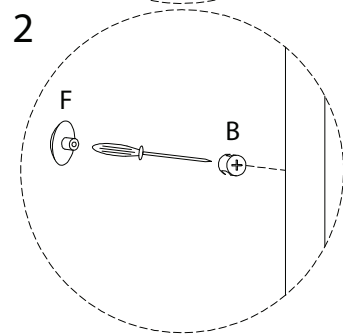
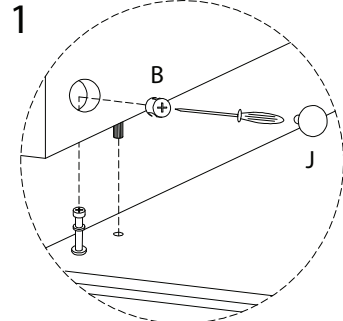
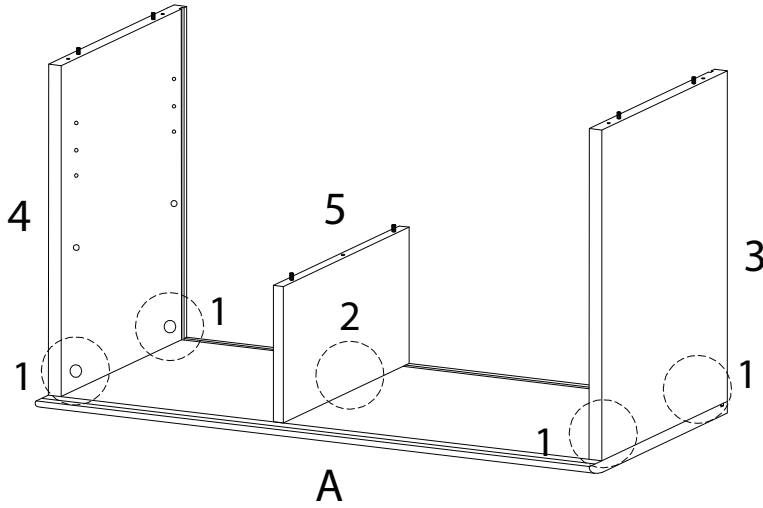


x1

J

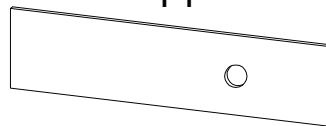


x4

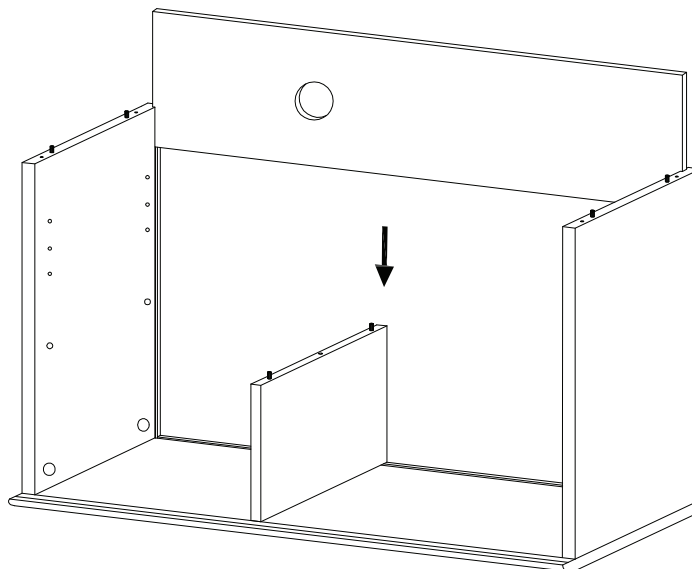


4

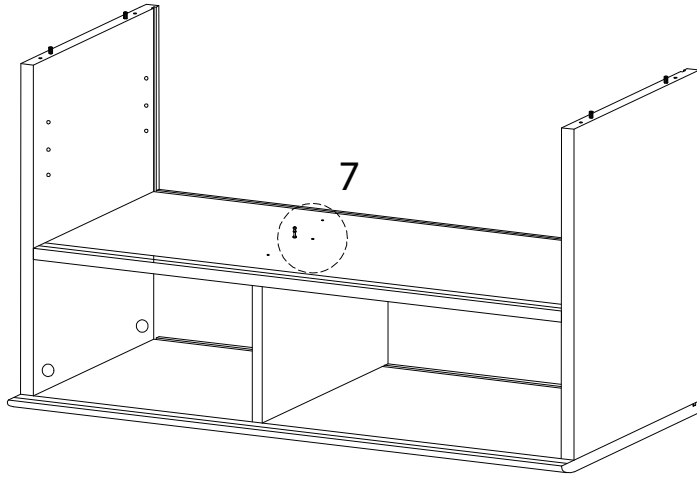
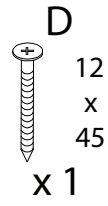
14



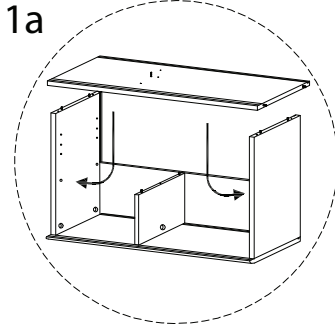
x1



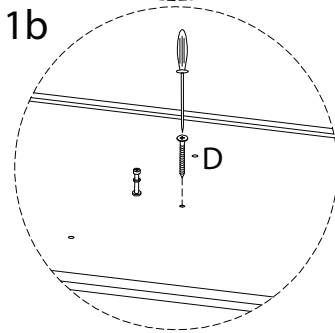
5



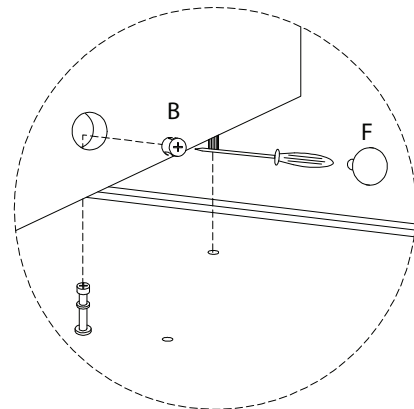
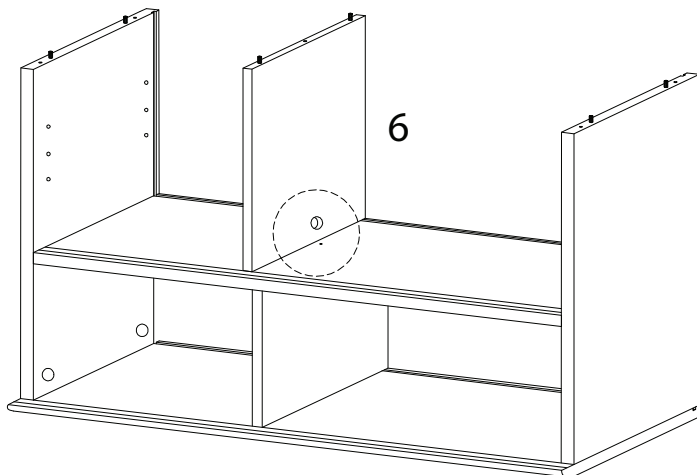
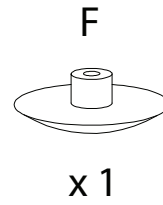
1a



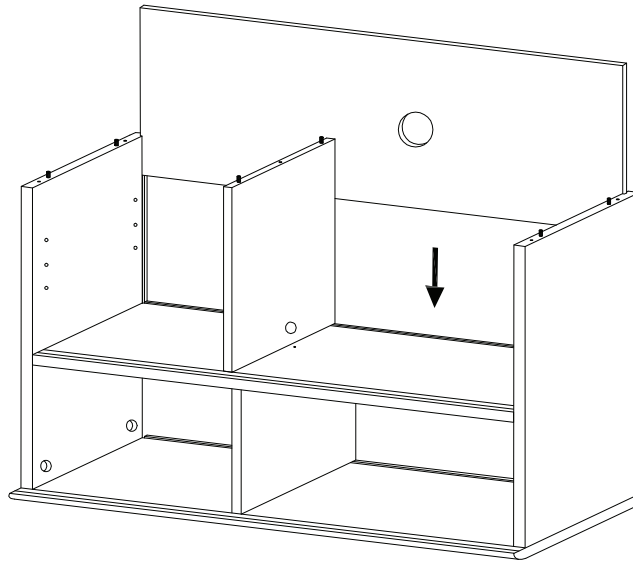
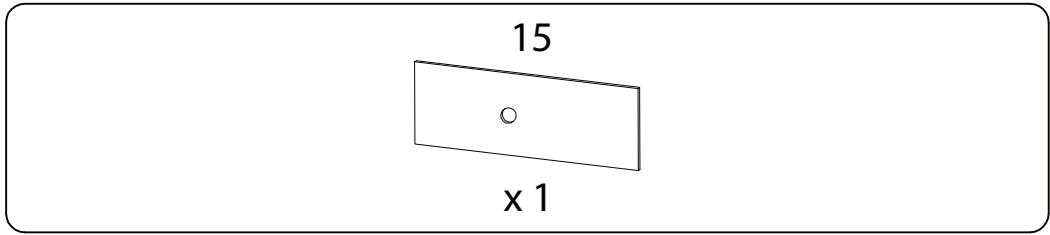
1b



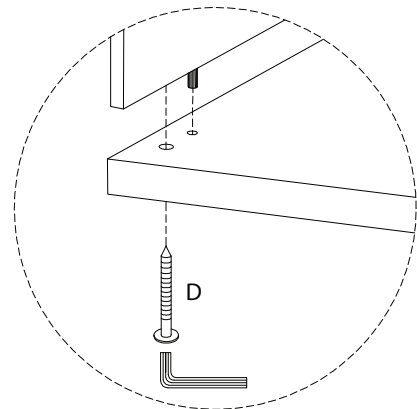
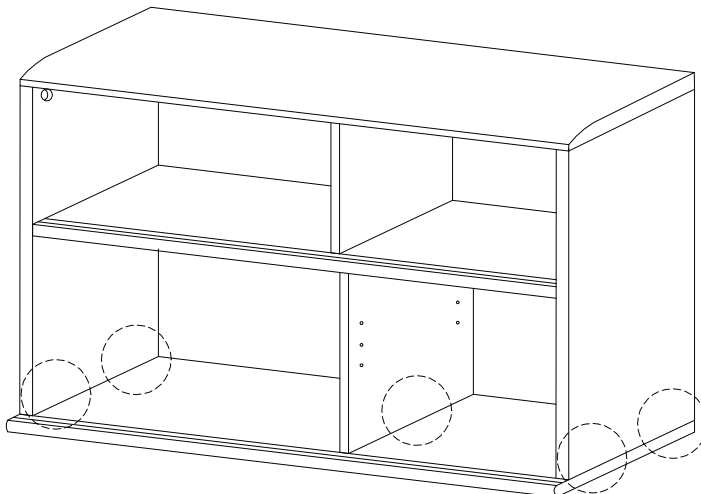
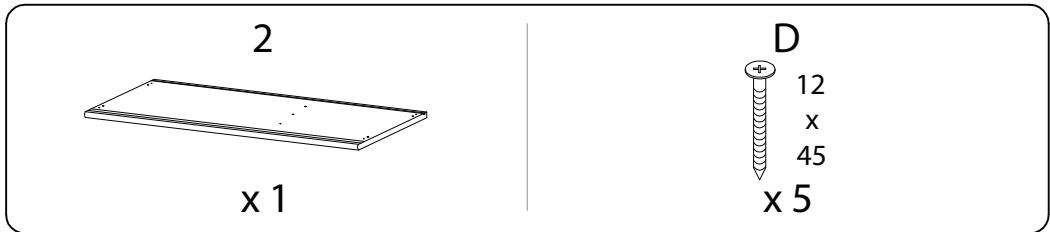
6



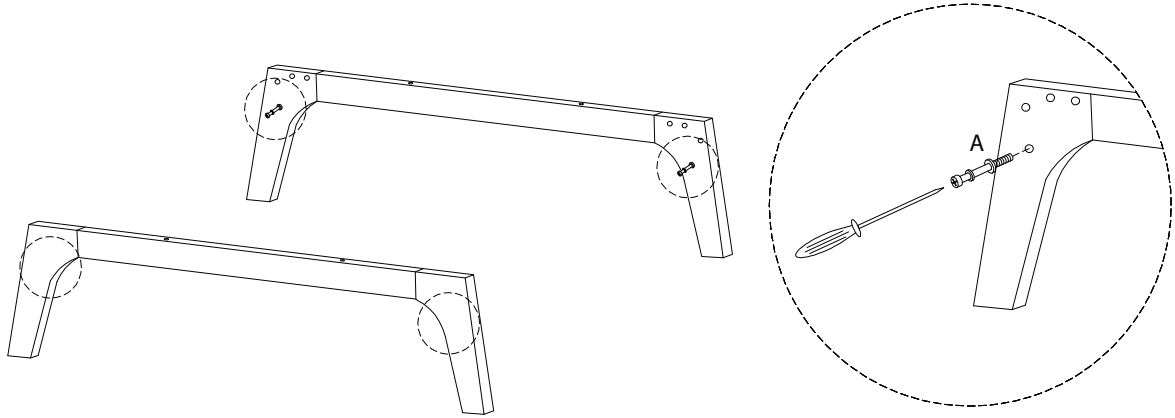
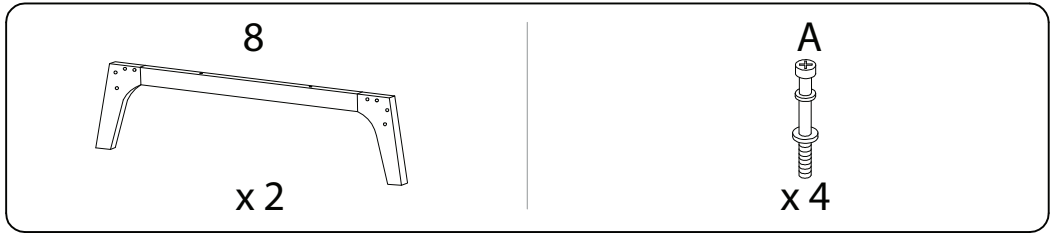
7



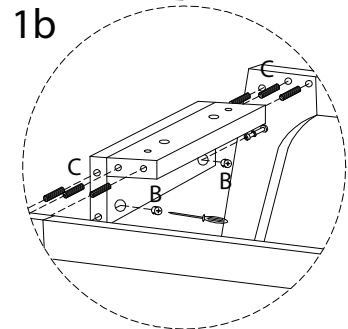
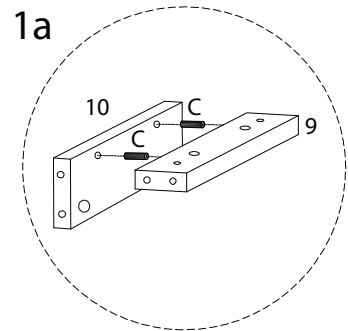
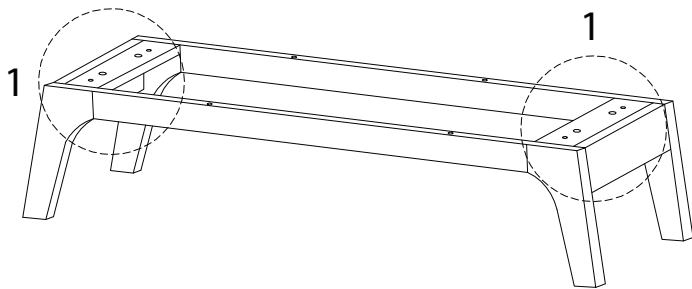
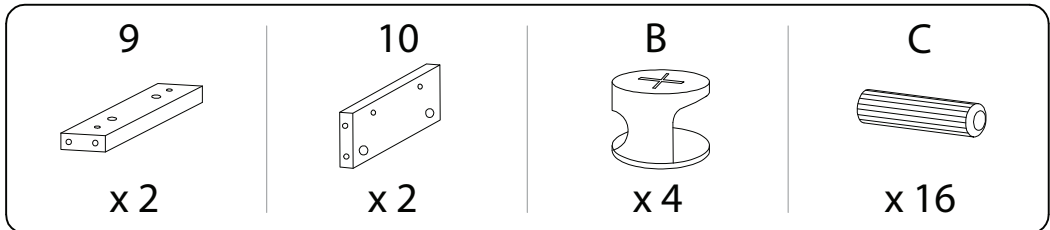
8



9



10

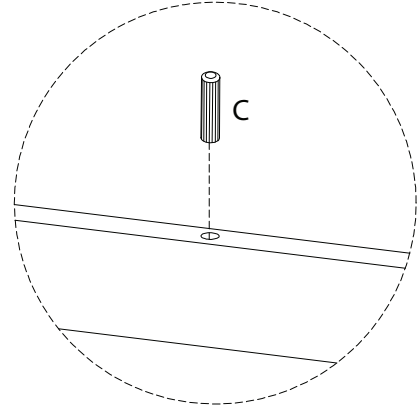
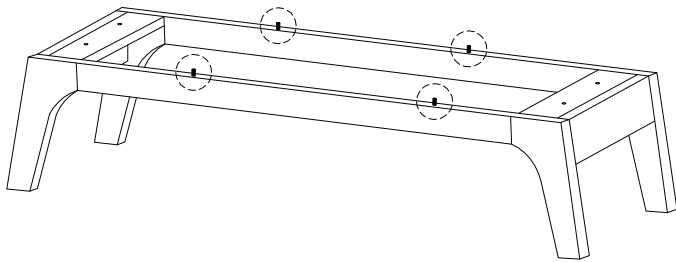


11

C

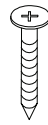


x4



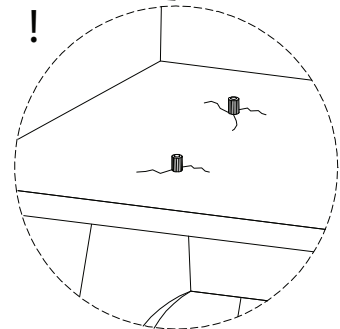
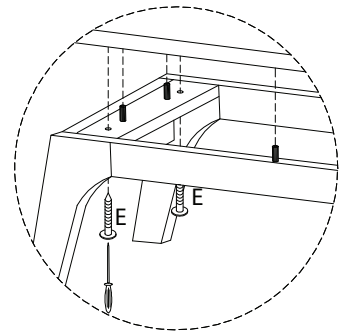
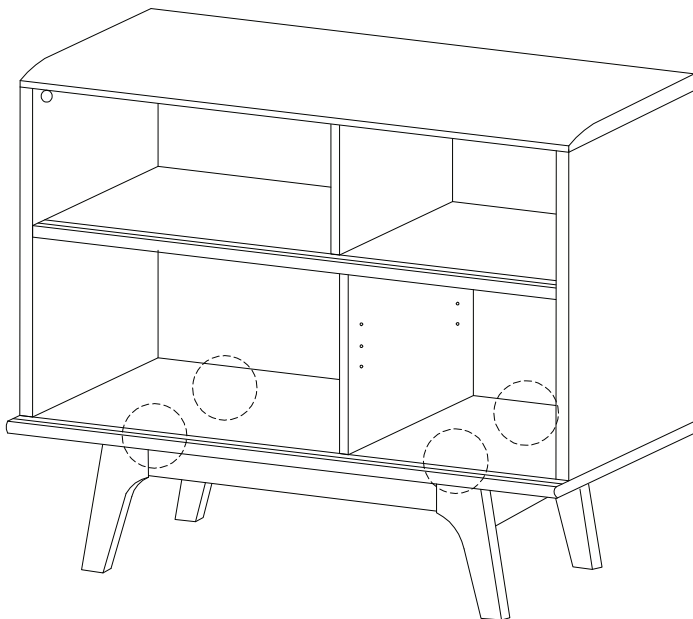
12

E



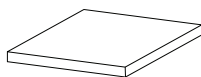
12
x
35

x4

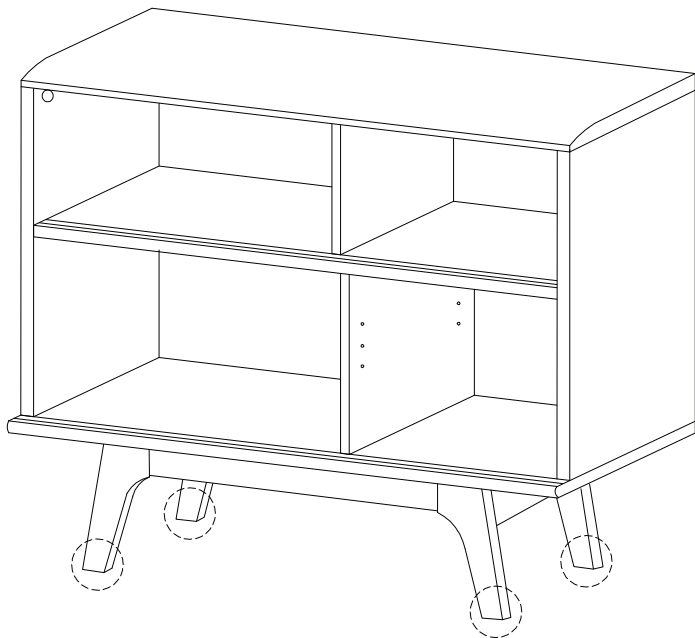


13

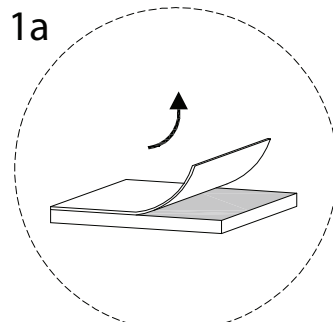
L



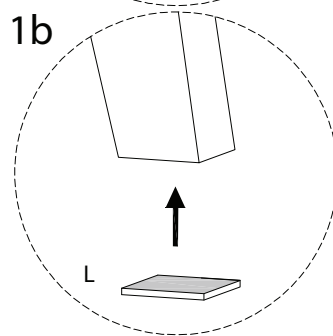
x4



1a



1b



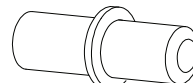
14

11

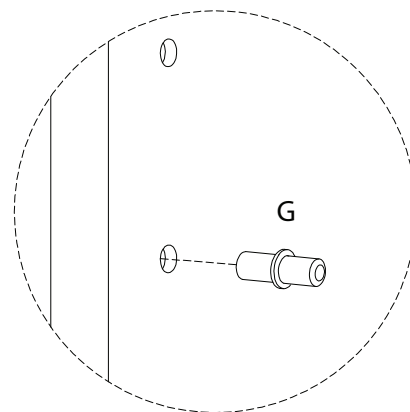
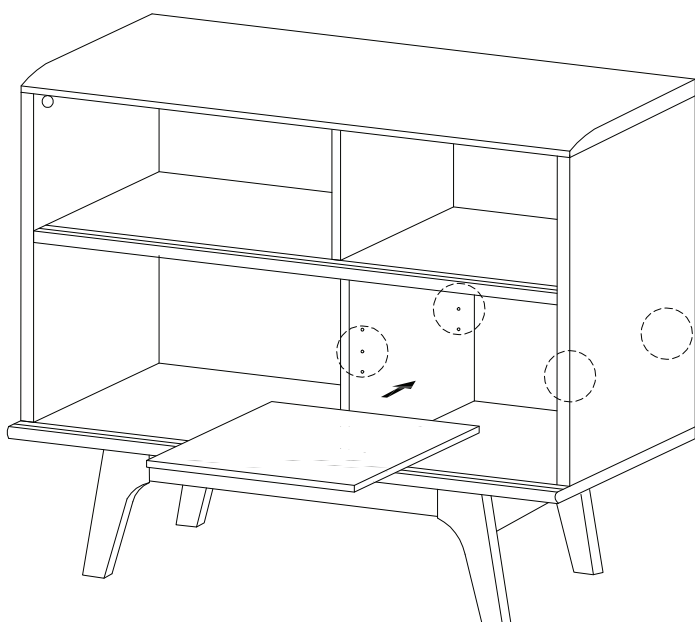


x1

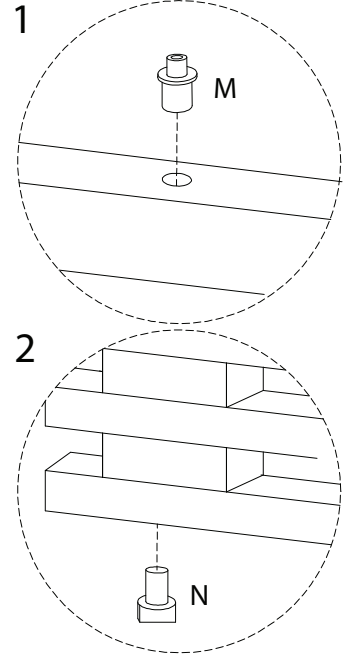
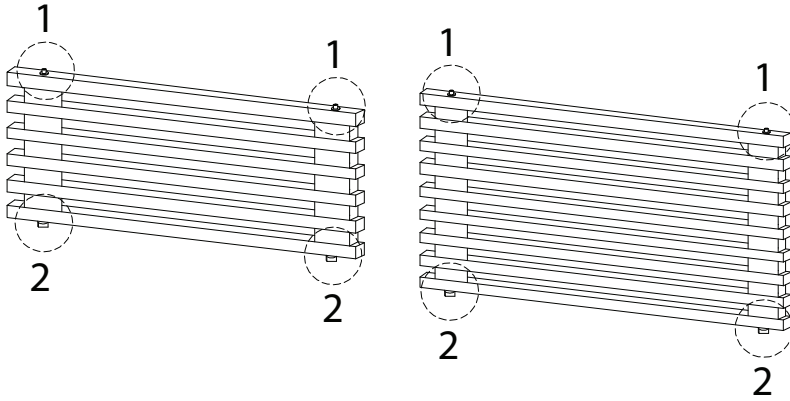
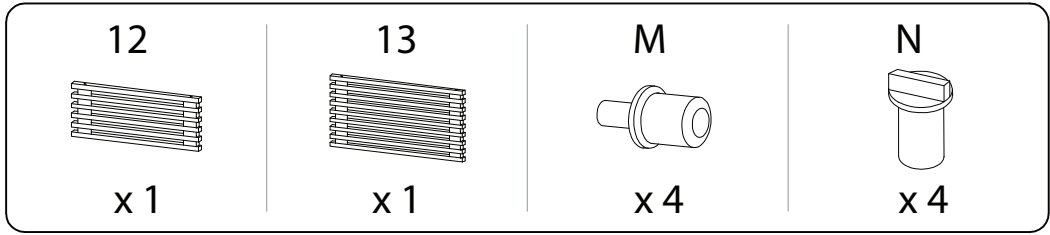
G



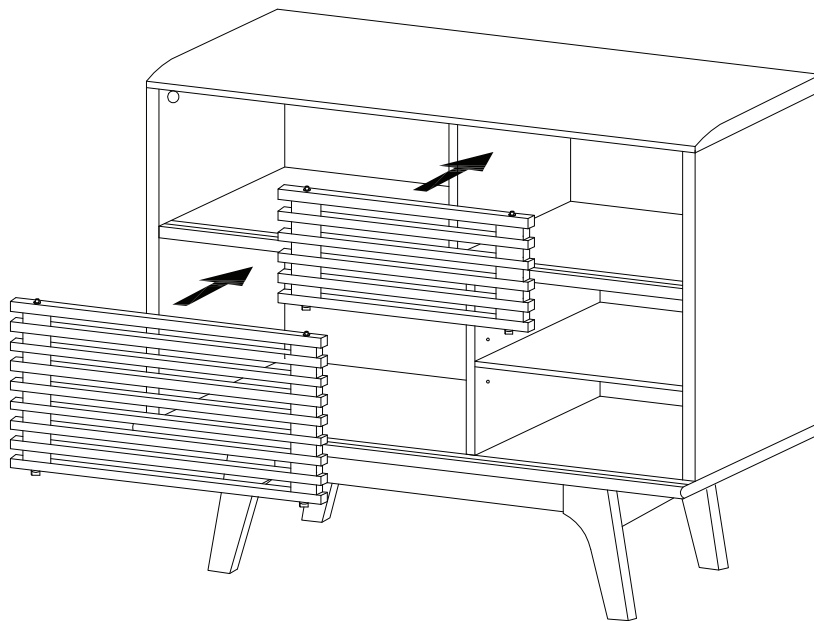
x4



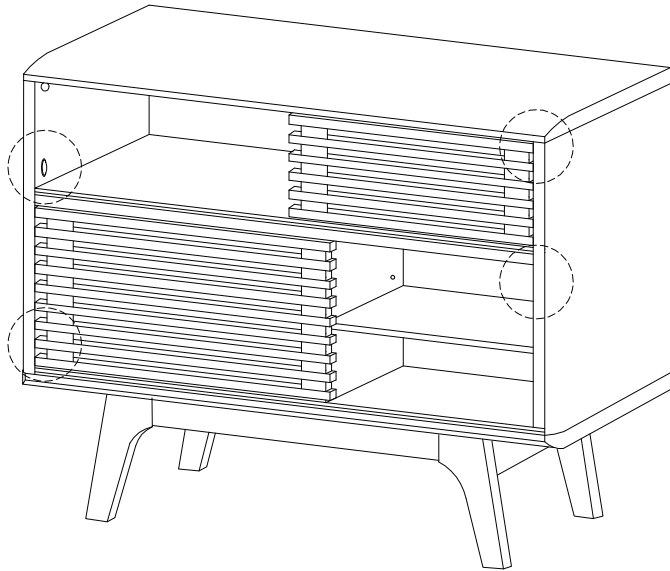
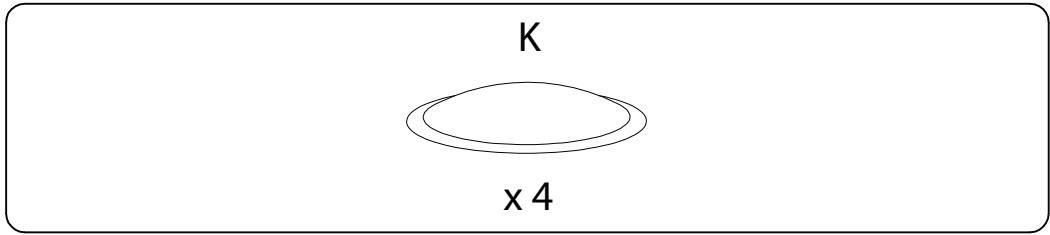
15



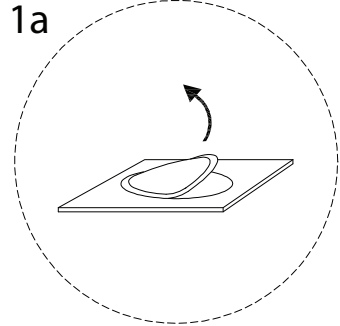
16



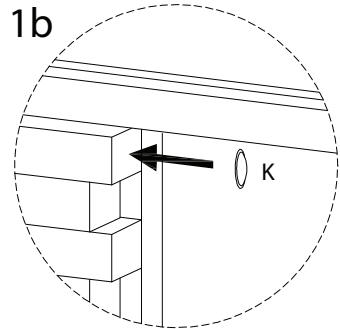
17



1a



1b



18

