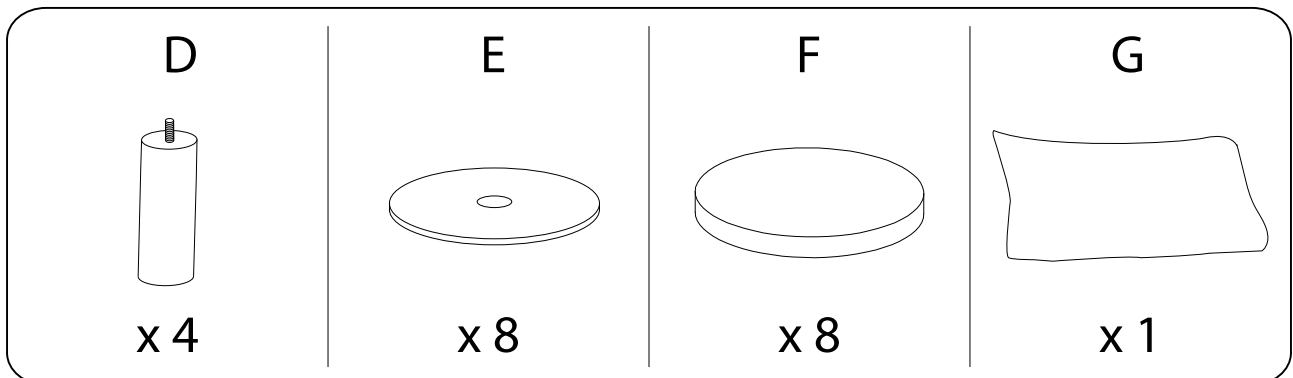
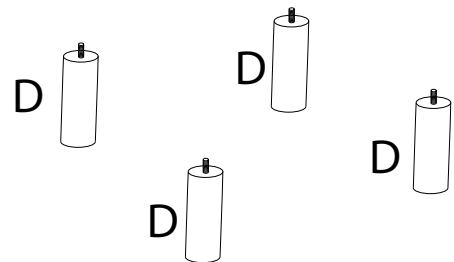
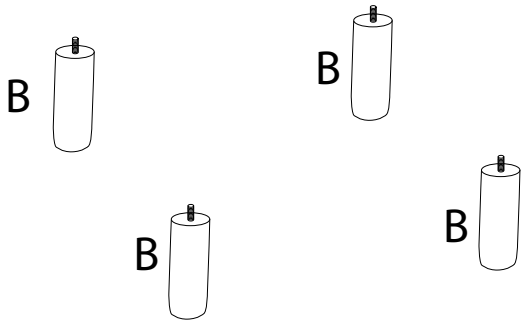
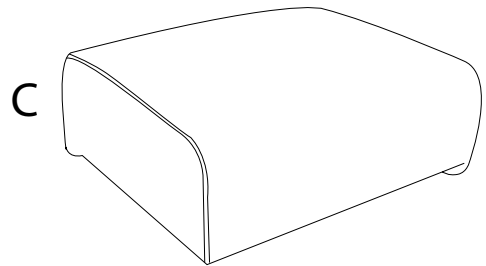
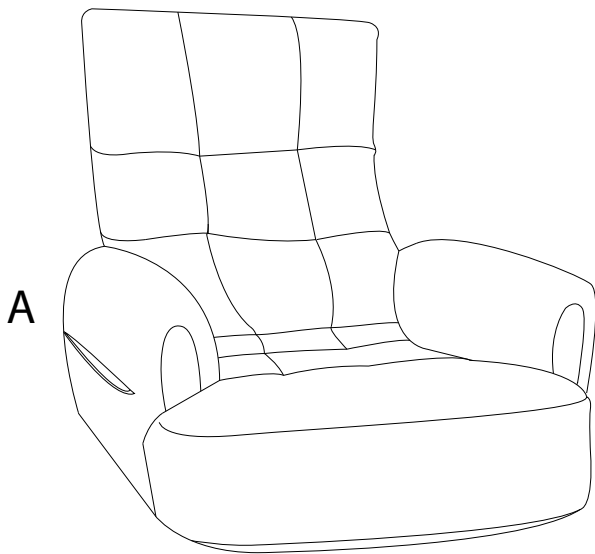
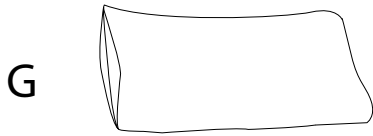
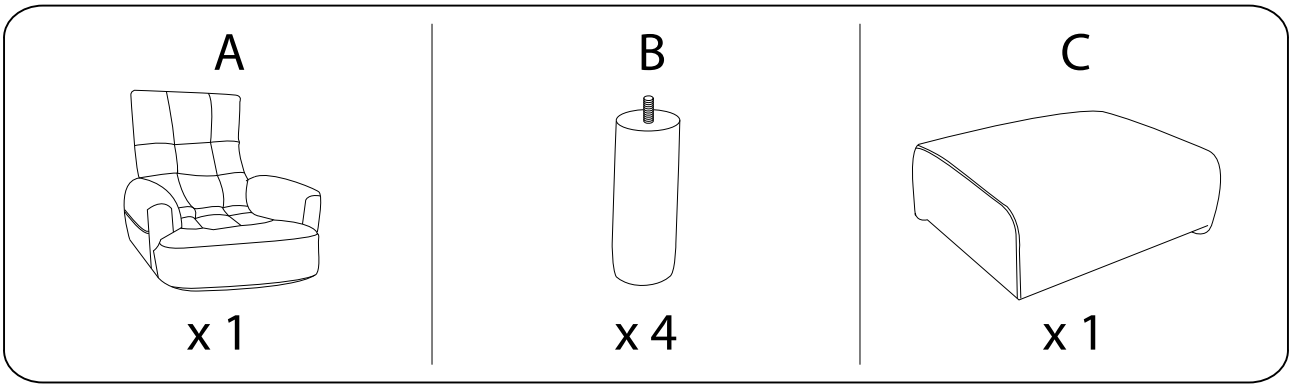


Warning icons for the first step: a hand holding a drill bit, a crossed-out drill, a warning triangle, and a clock icon.

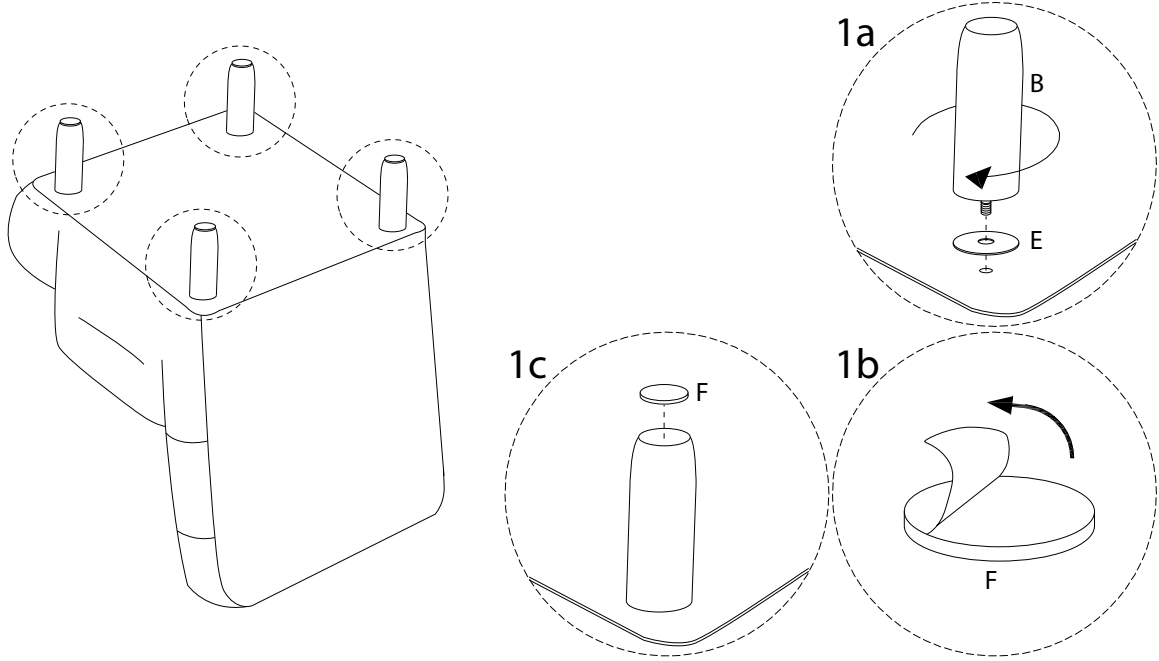
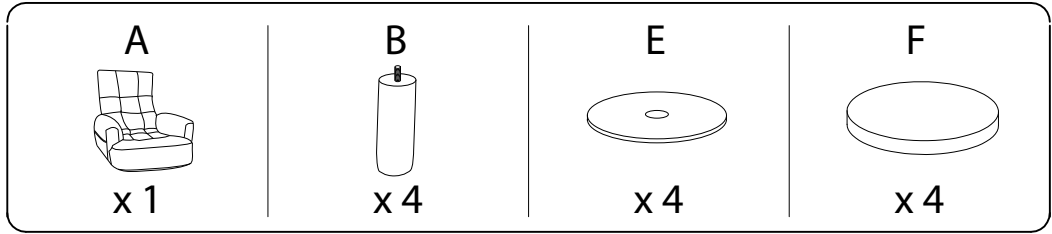
20'

Warning icons for the second step: a block on a mat, a crossed-out block, a warning triangle, and a person icon.

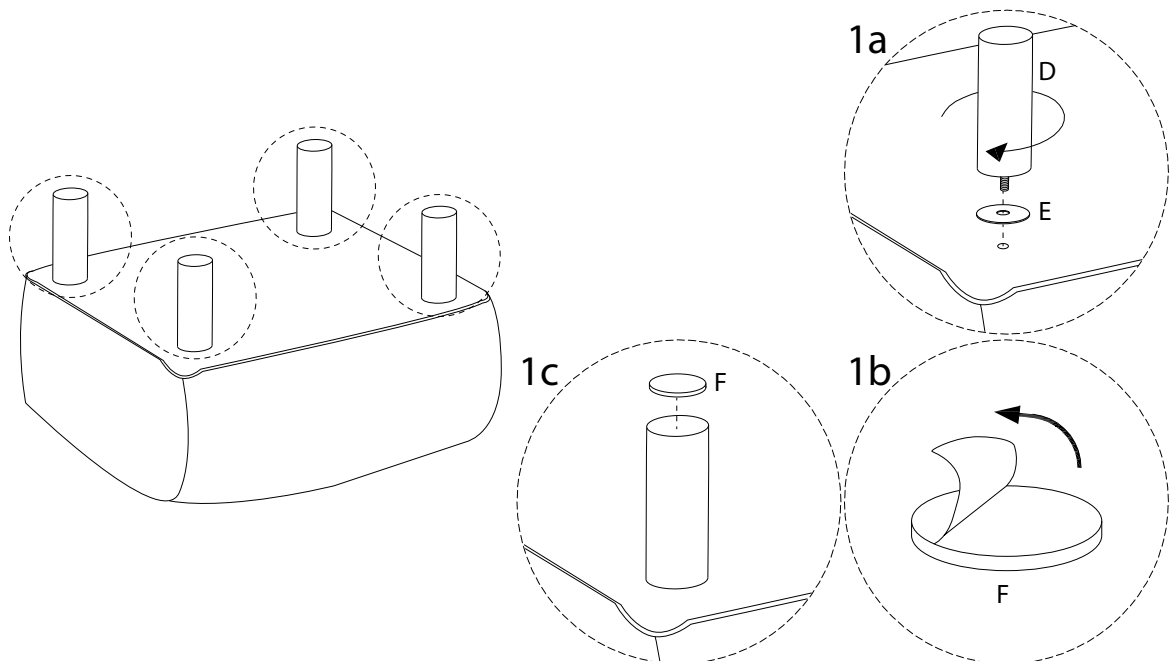
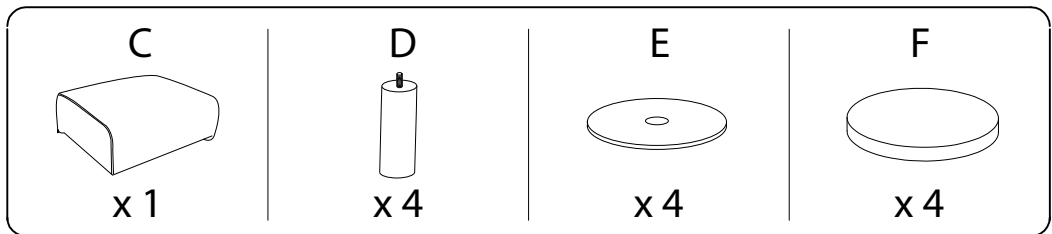
1



1



2



3

G



x1

