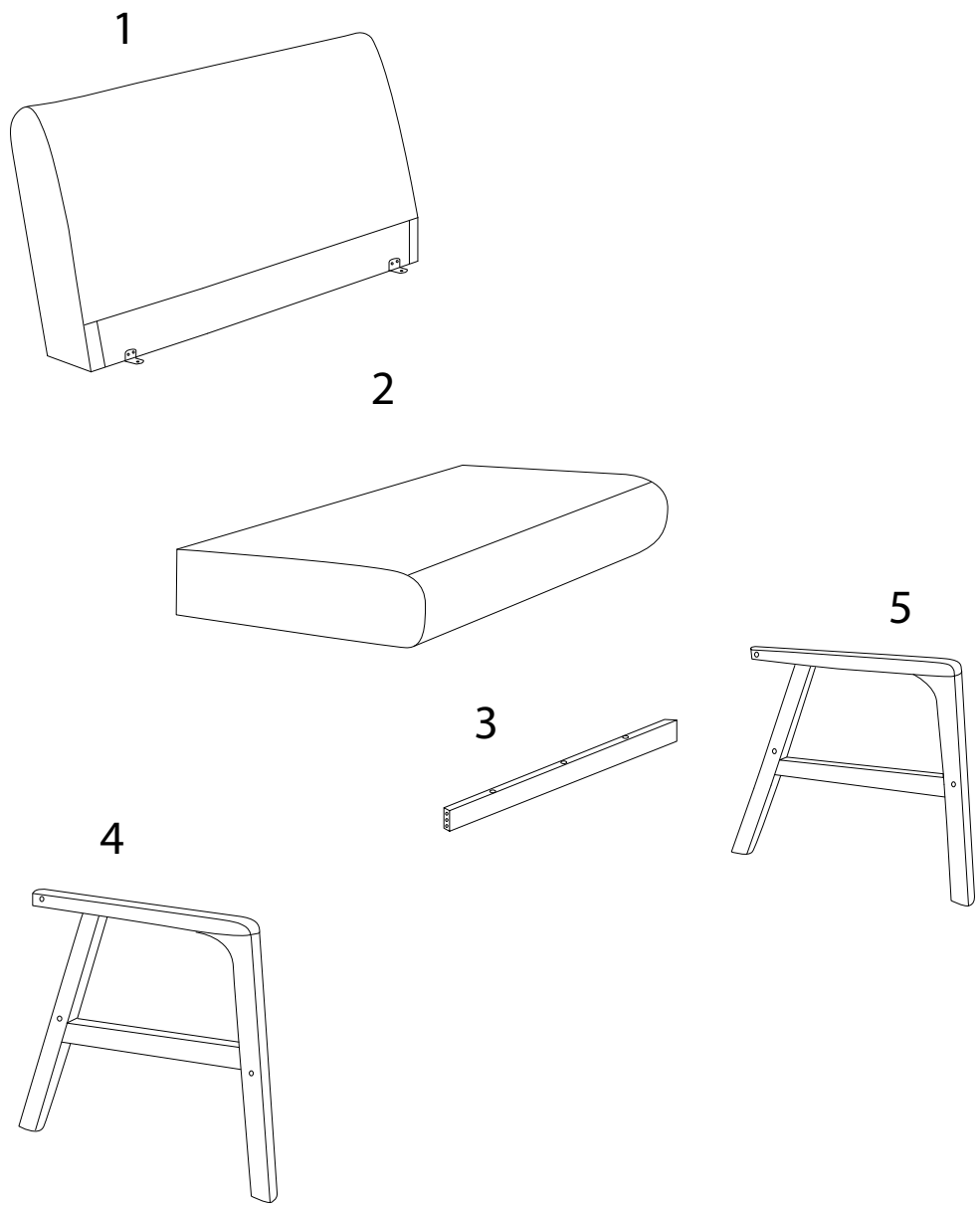
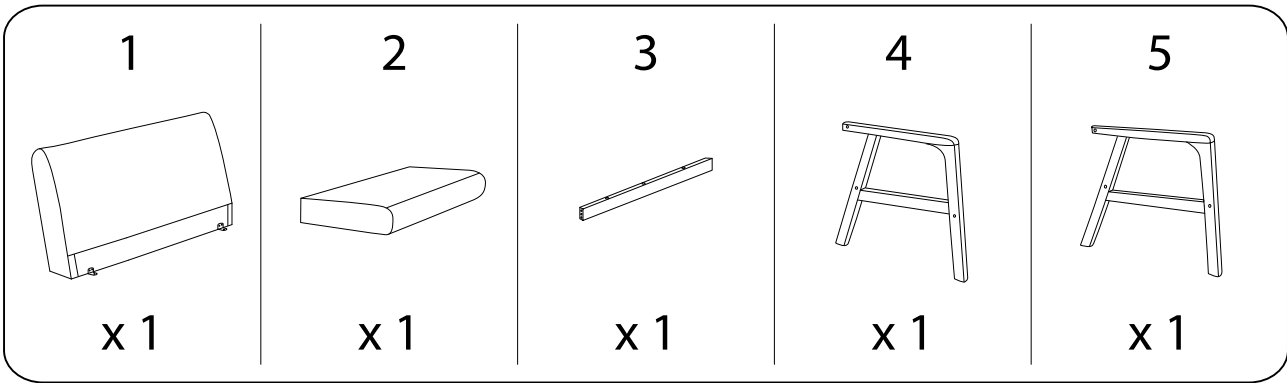
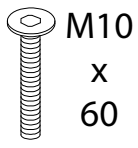

1		

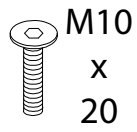


A



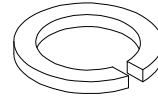
x 6

B



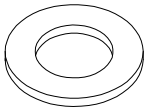
x 2

C



x 6

D



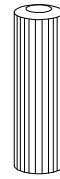
x 6

E



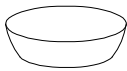
x 2

F



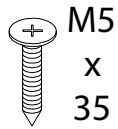
x 4

G



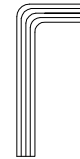
x 6

H



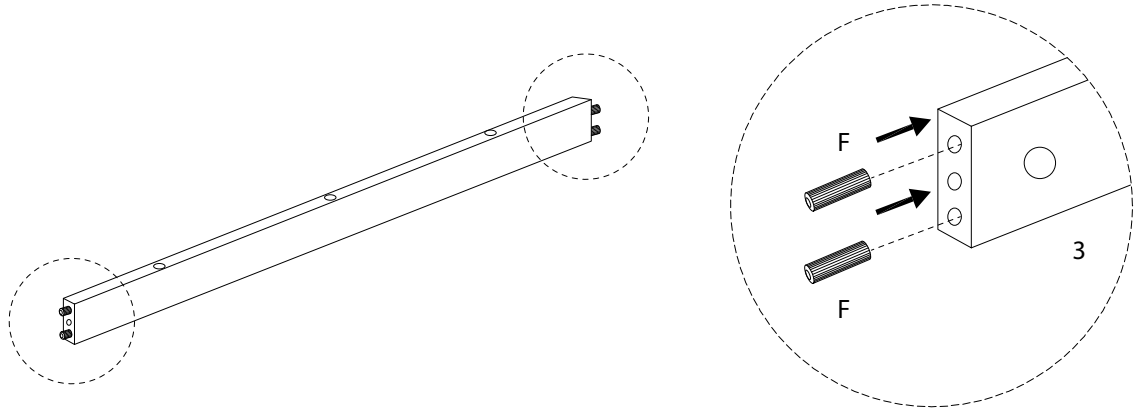
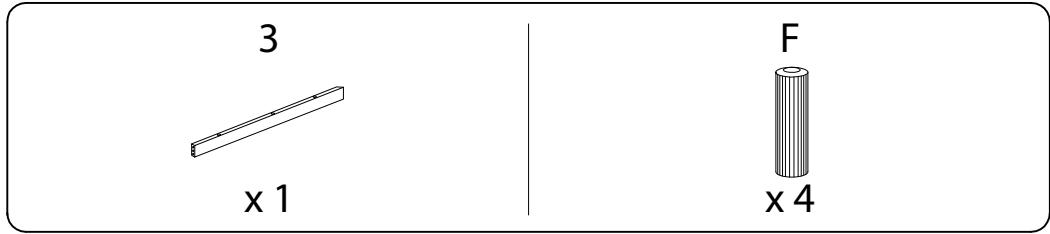
x 3

I

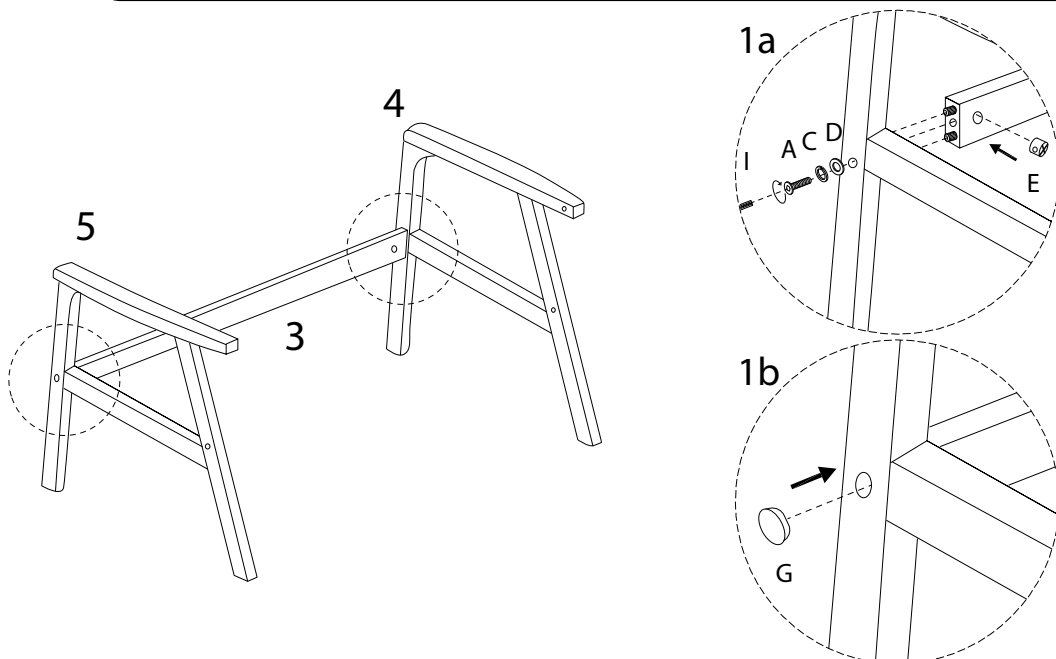
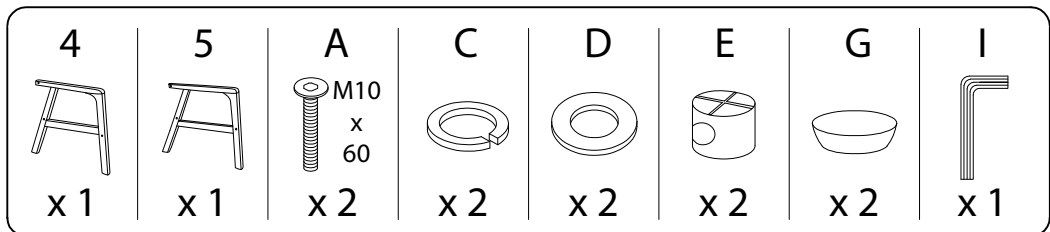


x 1

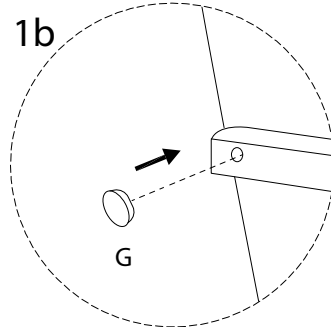
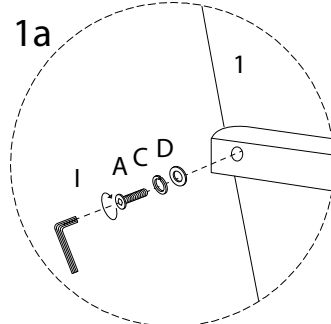
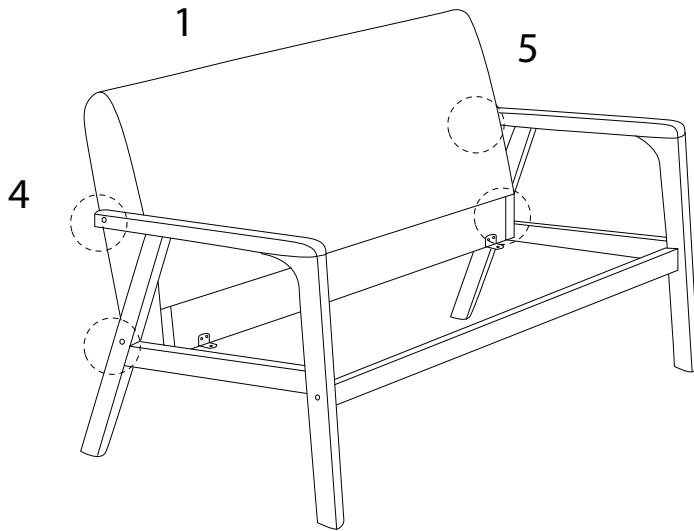
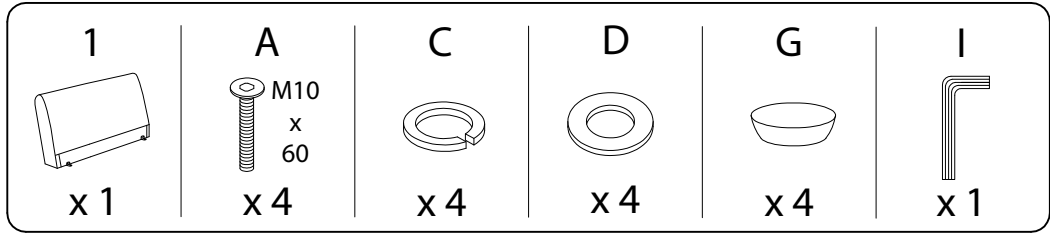
1



2



3



4

