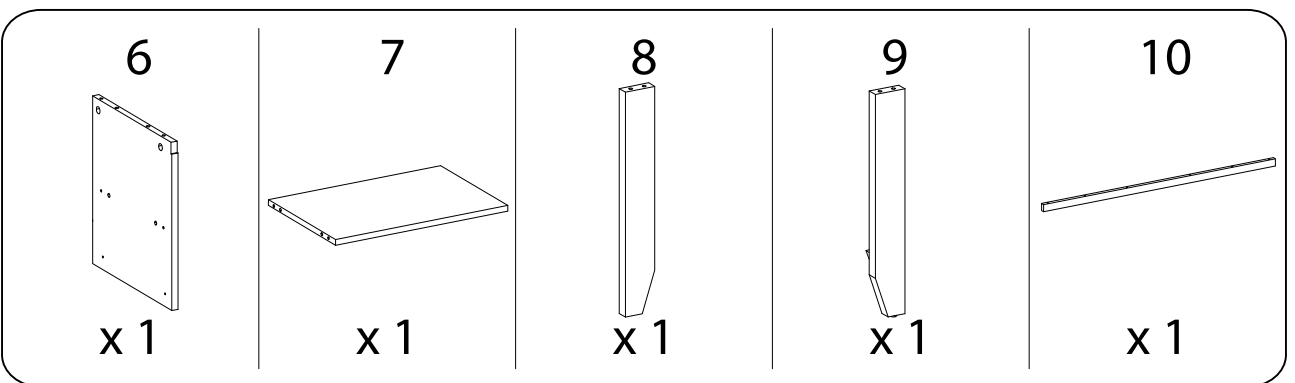
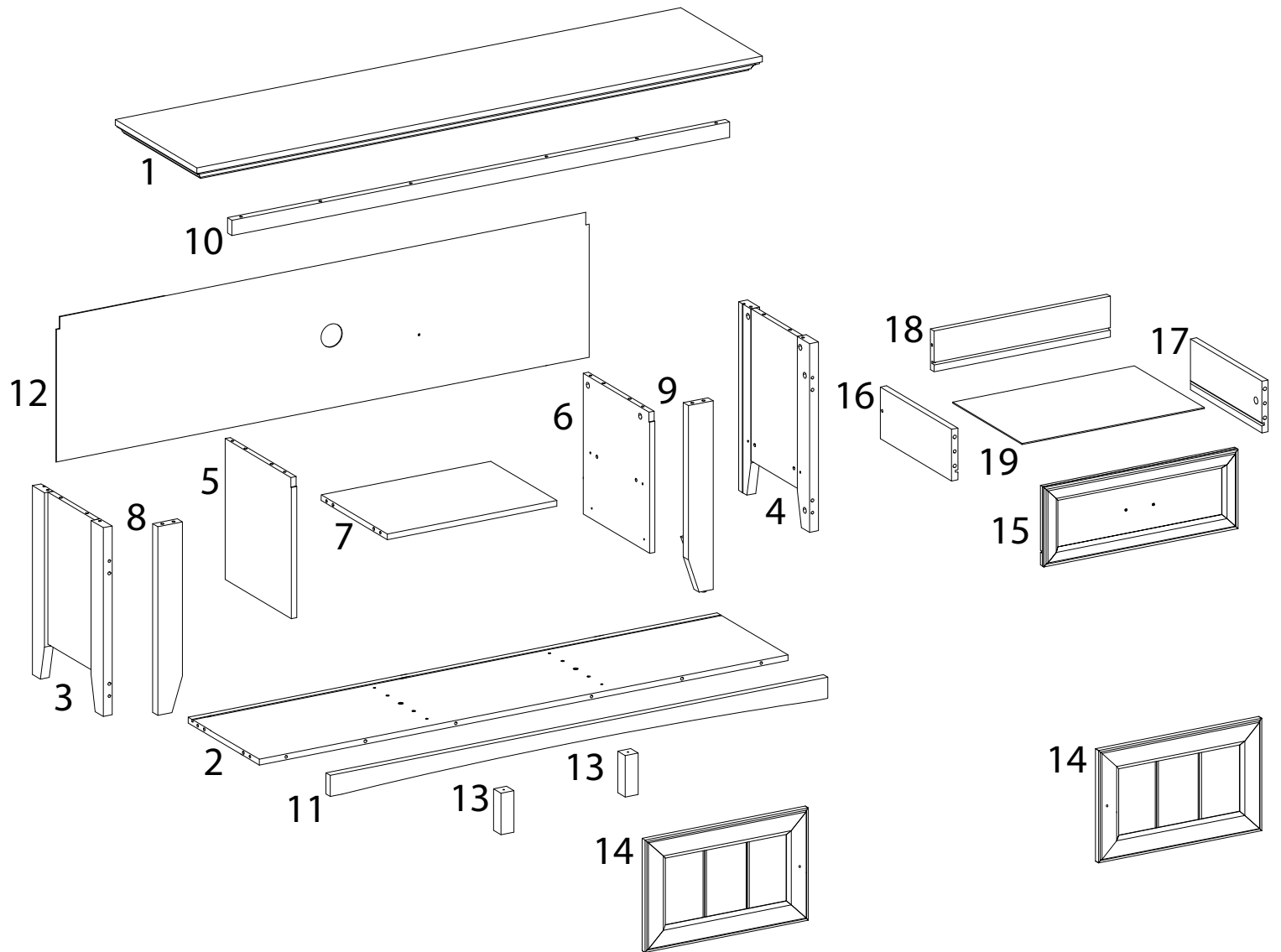
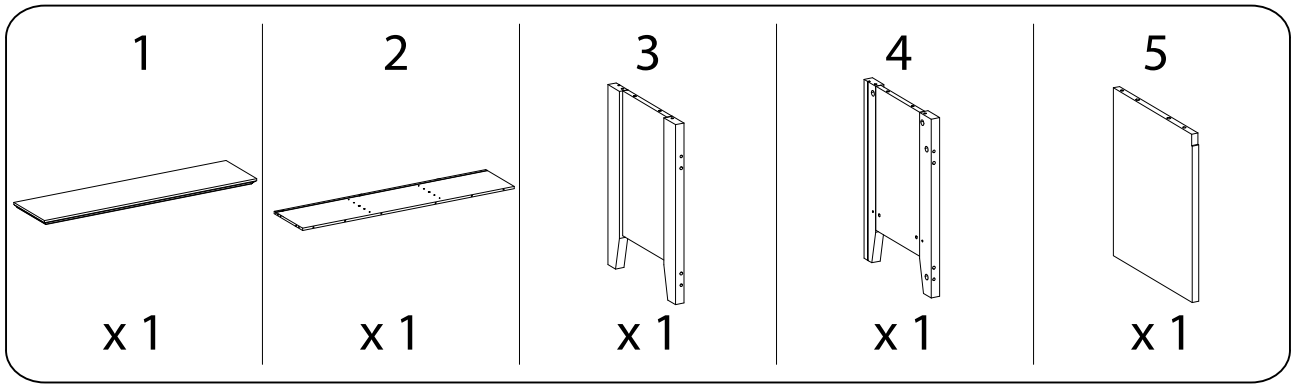
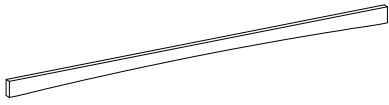


Assembly instructions for step 1/23:

- Tools:** A screwdriver is required. A power drill is not required (indicated by a slash through the drill icon).
- Time:** Estimated assembly time is 90 minutes (indicated by a clock icon).
- Warnings:** Two warning triangles with exclamation marks are present, indicating potential hazards or important instructions.
- Personnel:** One person is required for assembly (indicated by a person icon and the number 1).
- Material:** A diagram shows a rectangular block being placed on a textured surface, with a second diagram showing the block being secured with a screw.

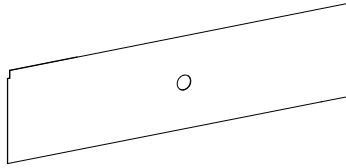


11



x 1

12



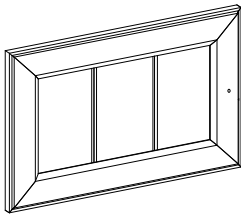
x 1

13



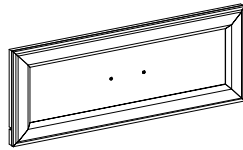
x 2

14



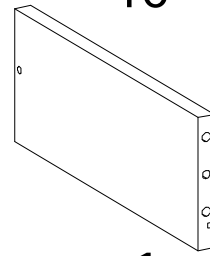
x 2

15



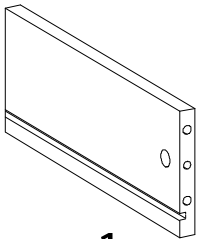
x 1

16



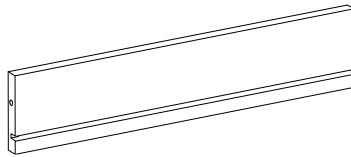
x 1

17



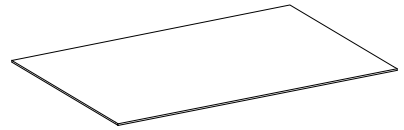
x 1

18



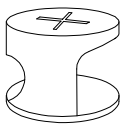
x 1

19



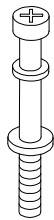
x 1

A



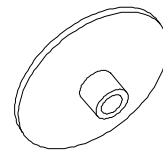
x 30

B



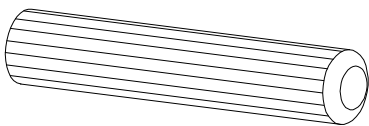
x 30

C



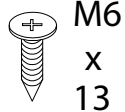
x 14

D



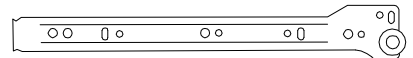
x 40

E

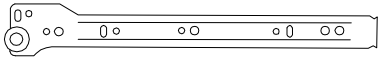


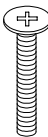
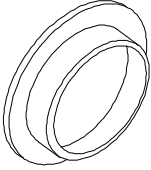
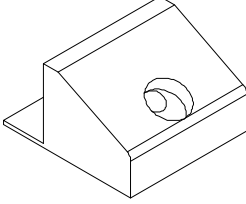
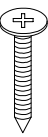
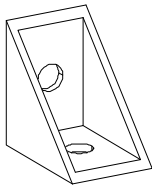

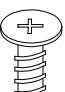

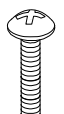
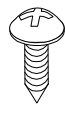
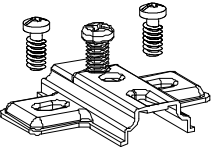
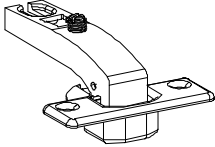
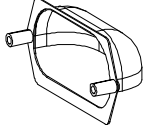
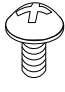


x 4

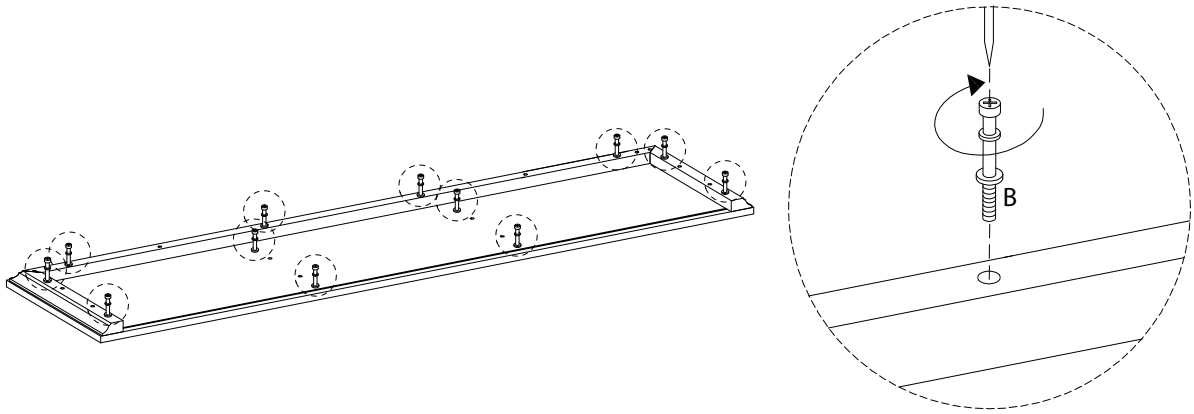
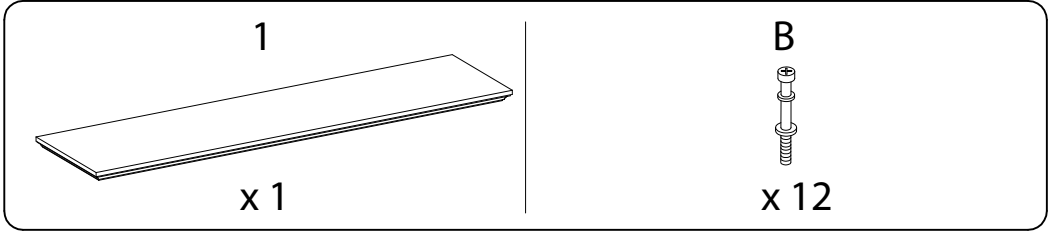
F1



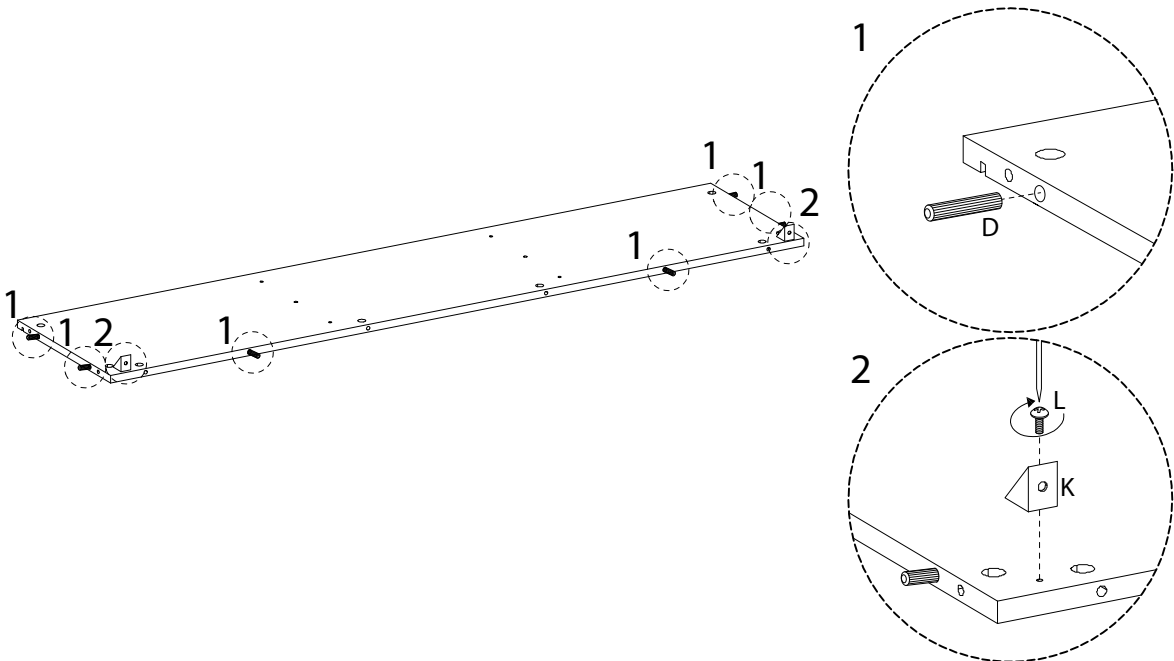
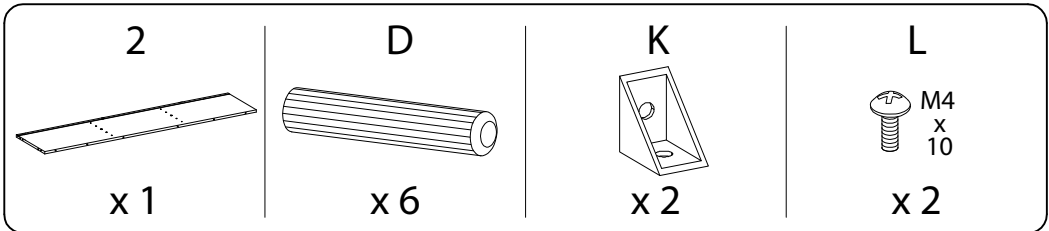
x 1

| | | | |
|---|--|---|--|
| <p style="text-align: center;">F2</p>  <p style="text-align: center;">x 1</p> | <p style="text-align: center;">F3</p>  <p style="text-align: center;">x 1</p> | <p style="text-align: center;">F4</p>  <p style="text-align: center;">x 1</p> | |
| <p style="text-align: center;">G</p>  <p style="text-align: center;">M10 x 33.5</p> <p style="text-align: center;">x 8</p> | <p style="text-align: center;">H</p>  <p style="text-align: center;">x 4</p> | <p style="text-align: center;">I</p>  <p style="text-align: center;">x 16</p> | |
| <p style="text-align: center;">J</p>  <p style="text-align: center;">M4 x 19</p> <p style="text-align: center;">x 16</p> | <p style="text-align: center;">K</p>  <p style="text-align: center;">x 2</p> | <p style="text-align: center;">L</p>  <p style="text-align: center;">M4 x 10</p> <p style="text-align: center;">x 12</p> | |
| <p style="text-align: center;">M</p>  <p style="text-align: center;">M6 x 8</p> <p style="text-align: center;">x 4</p> | <p style="text-align: center;">N</p>  <p style="text-align: center;">x 2</p> | <p style="text-align: center;">O</p>  <p style="text-align: center;">M4 x 22</p> <p style="text-align: center;">x 2</p> | <p style="text-align: center;">P</p>  <p style="text-align: center;">M4 x 12</p> <p style="text-align: center;">x 2</p> |
| <p style="text-align: center;">Q1</p>  <p style="text-align: center;">x 4</p> | <p style="text-align: center;">Q2</p>  <p style="text-align: center;">x 4</p> | <p style="text-align: center;">R</p>  <p style="text-align: center;">x 1</p> | <p style="text-align: center;">S</p>  <p style="text-align: center;">M4 x 8</p> <p style="text-align: center;">x 2</p> |

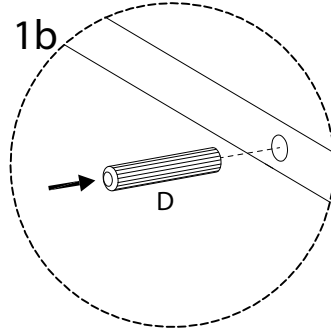
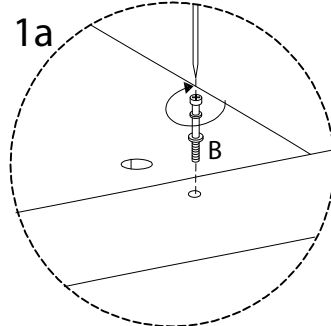
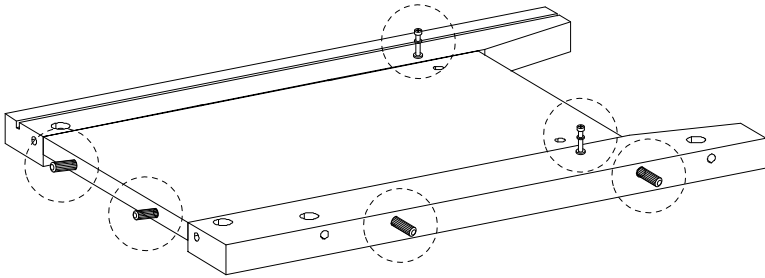
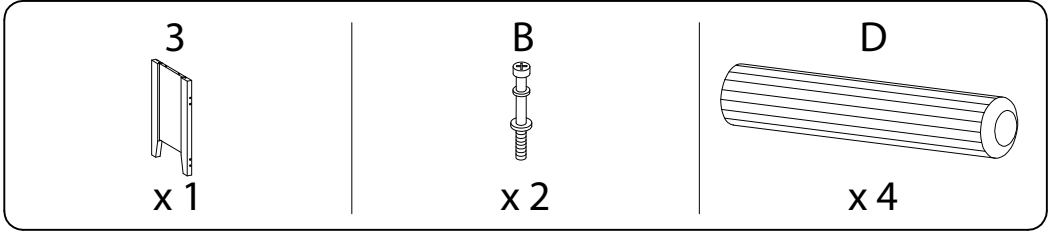
1



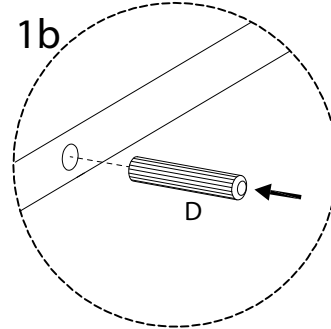
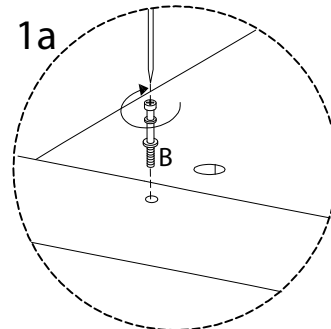
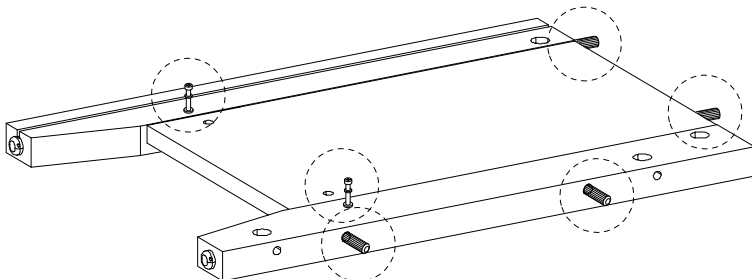
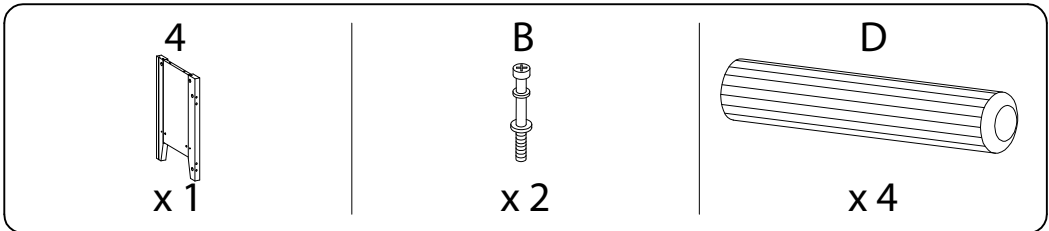
2



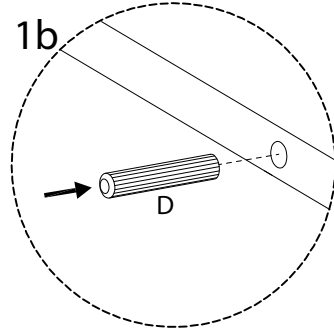
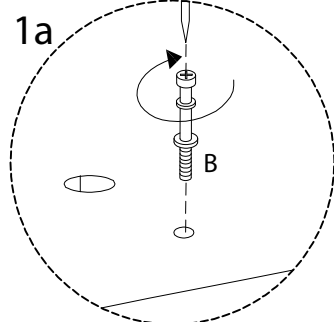
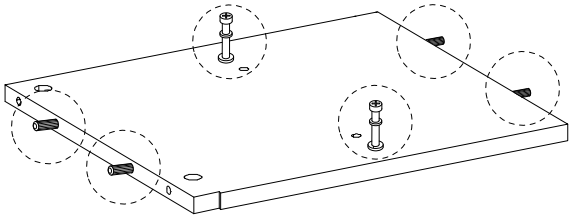
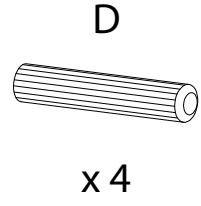
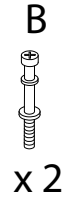
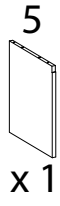
3



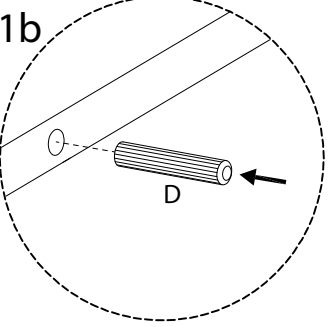
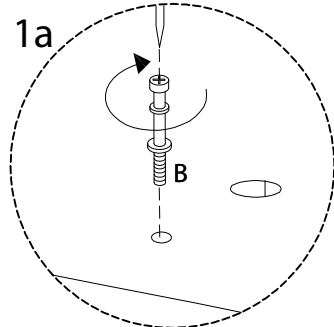
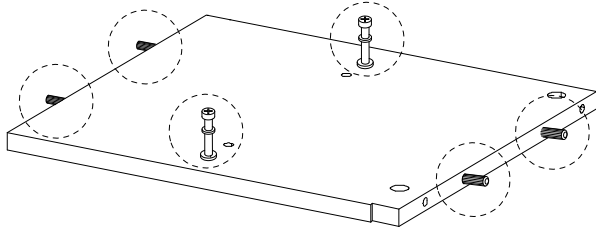
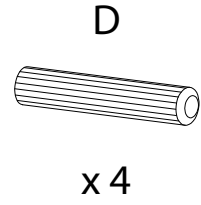
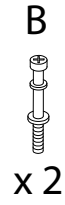
4



5

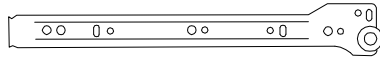


6



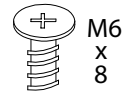
7

F1

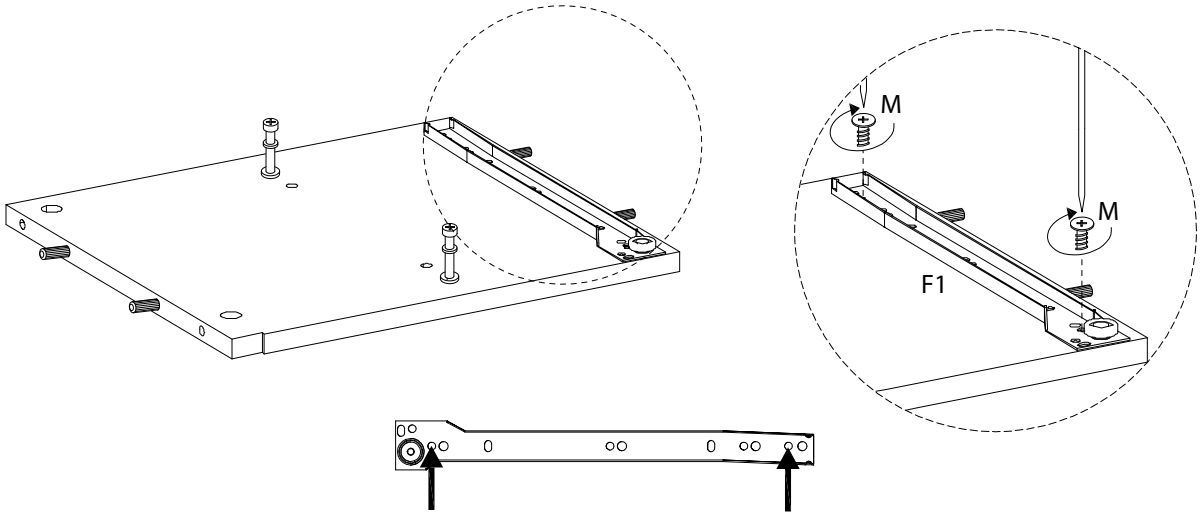


x 1

M

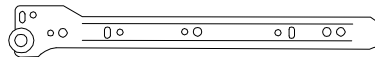


x 2



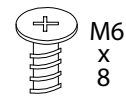
8

F2

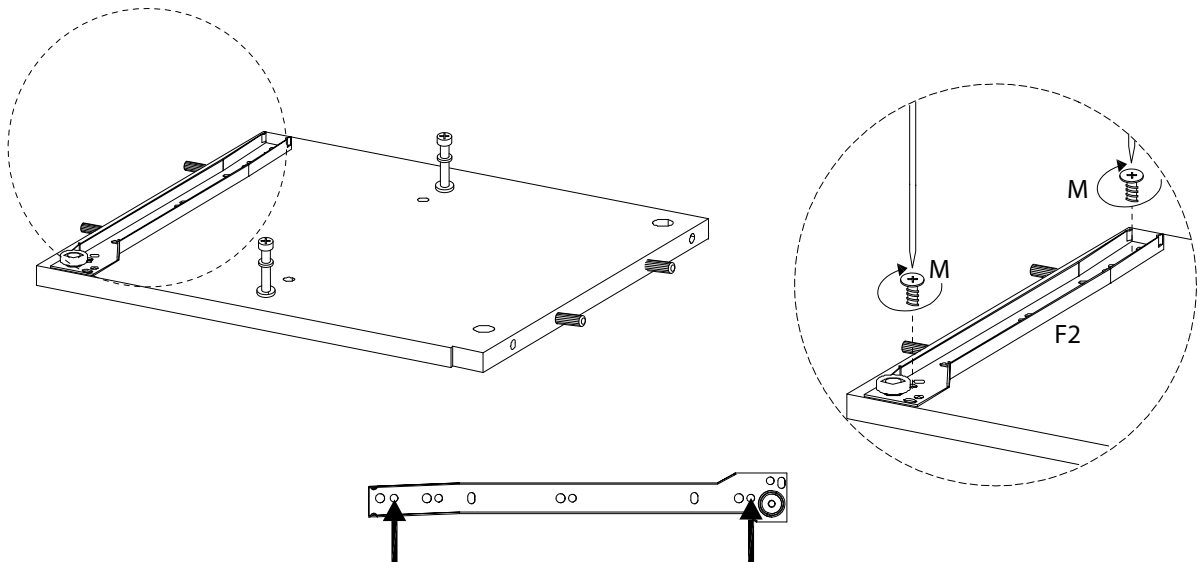


x 1

M

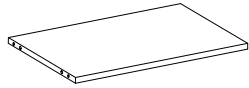


x 2



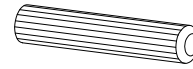
9

7

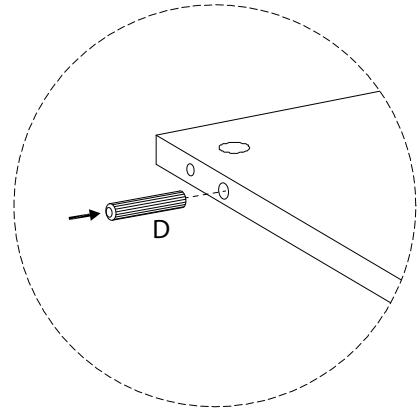
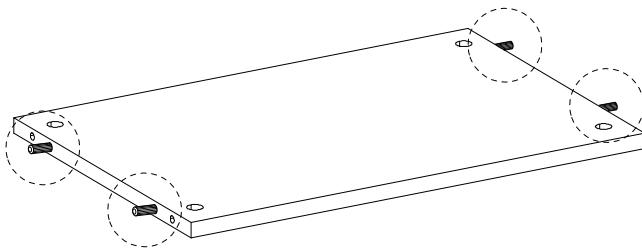


x 1

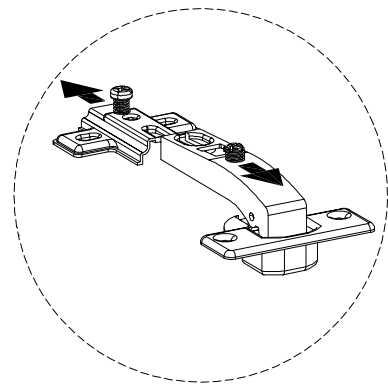
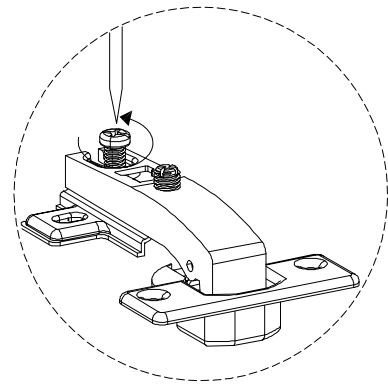
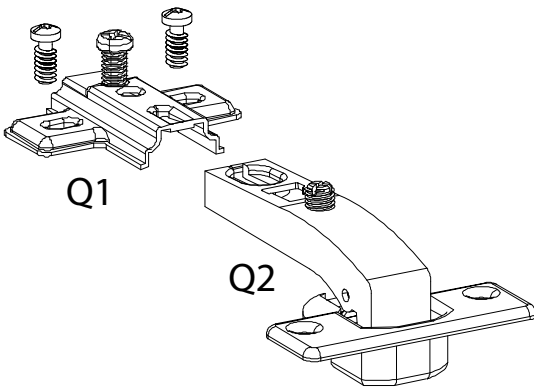
D



x 4



!



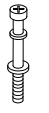
10

8



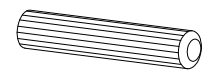
x 1

B



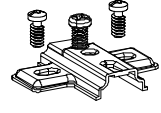
x 2

D

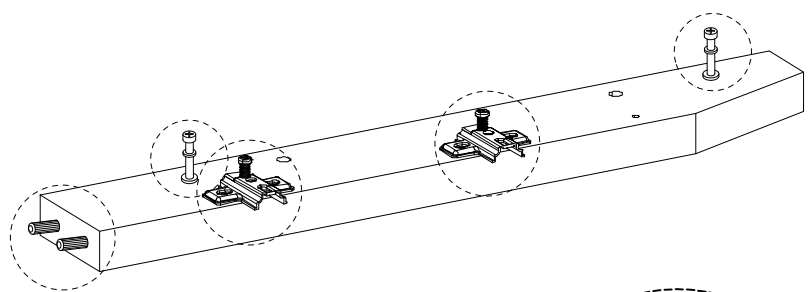


x 2

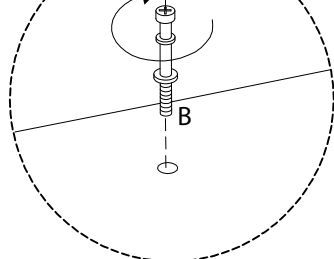
Q1



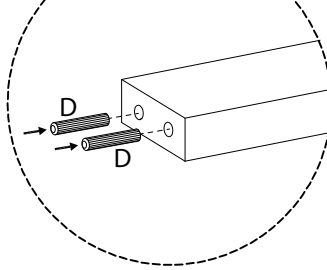
x 2



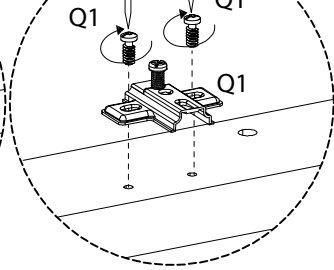
1b



1a



1c



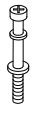
11

9



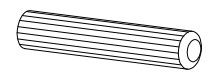
x 1

B



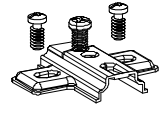
x 2

D

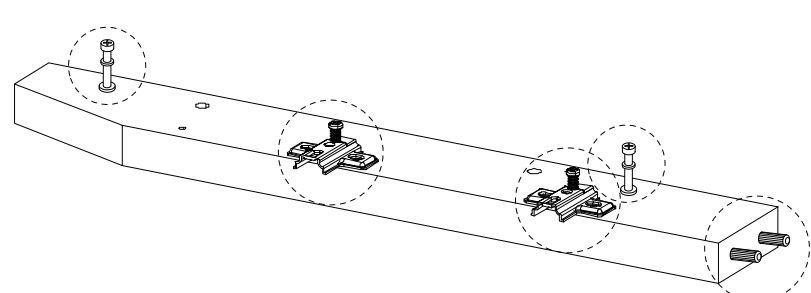


x 2

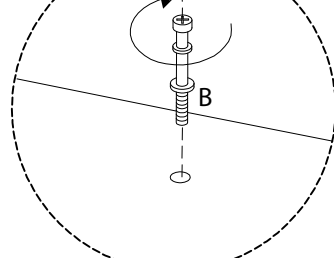
Q1



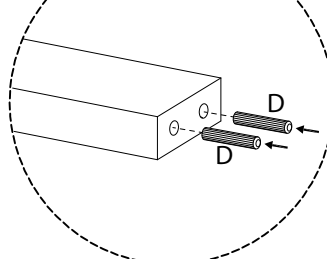
x 2



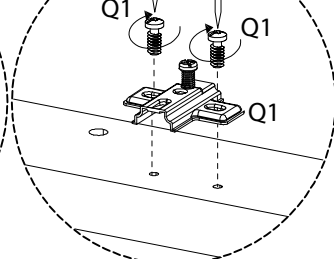
1b



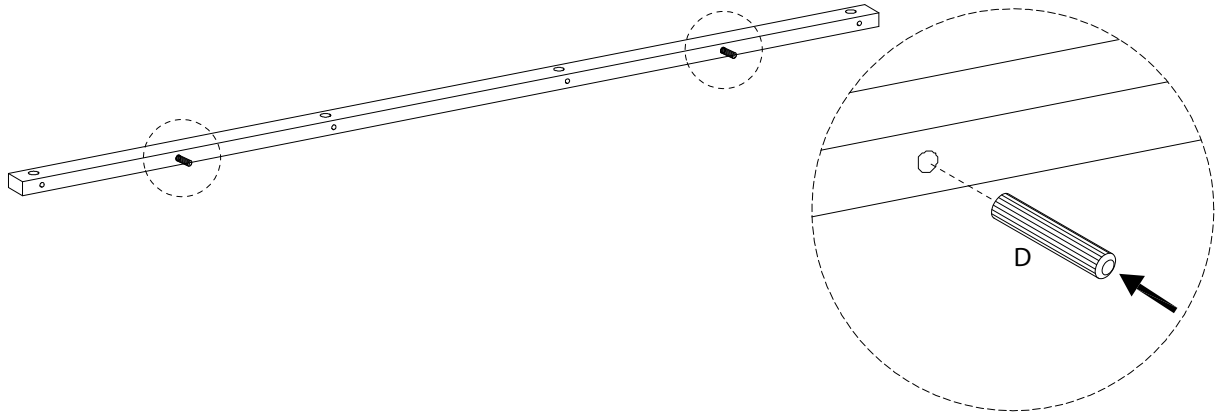
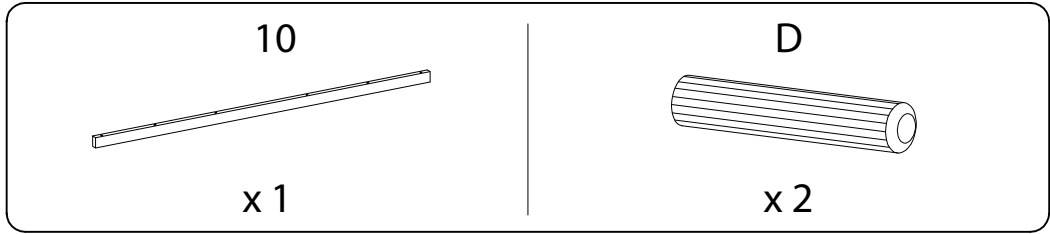
1a



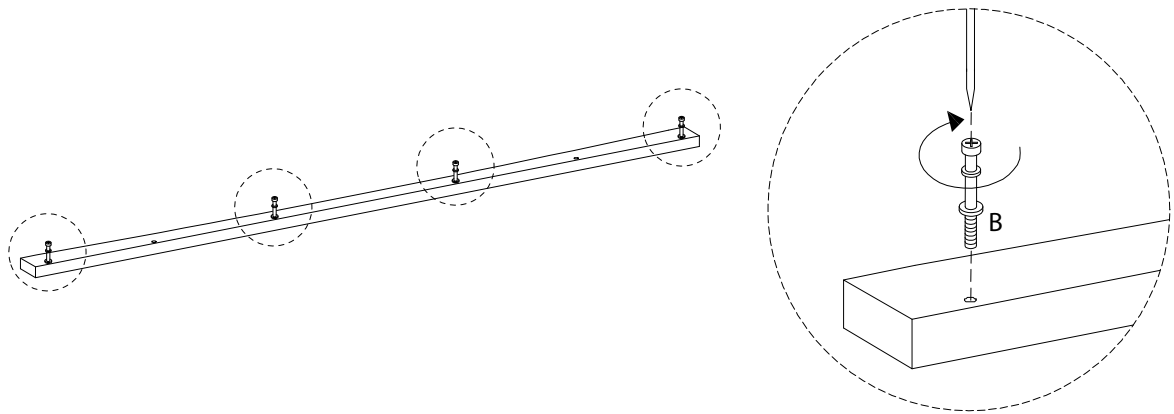
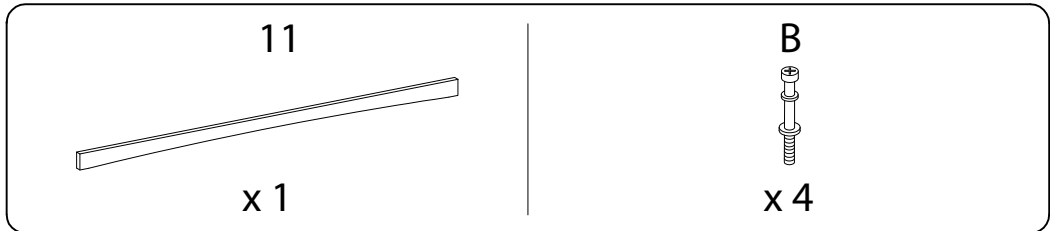
1c



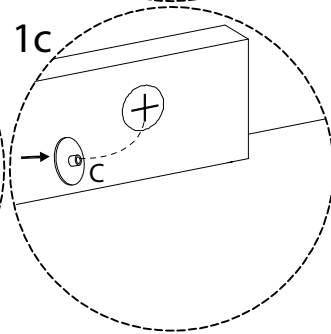
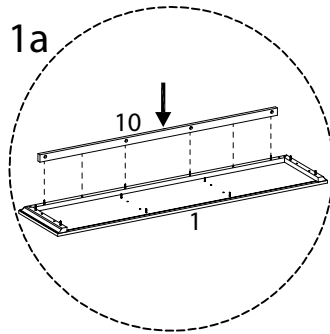
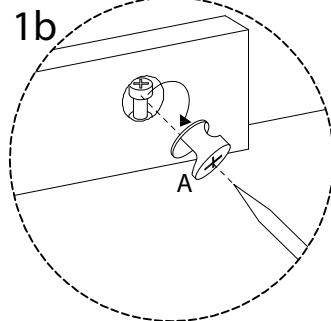
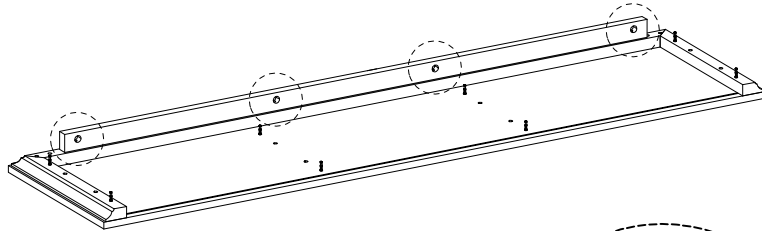
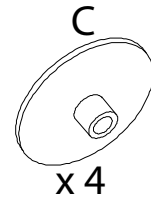
12



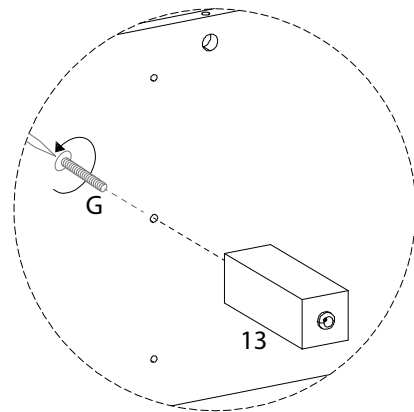
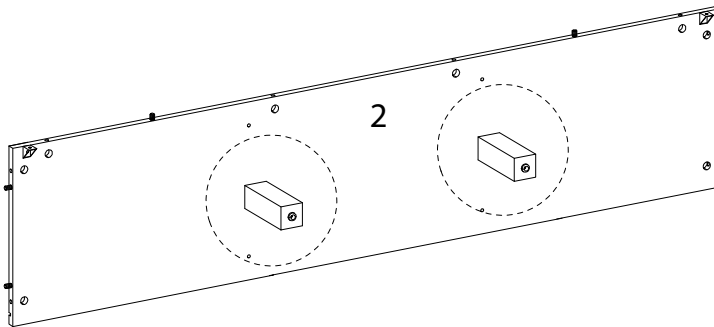
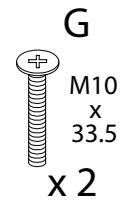
13



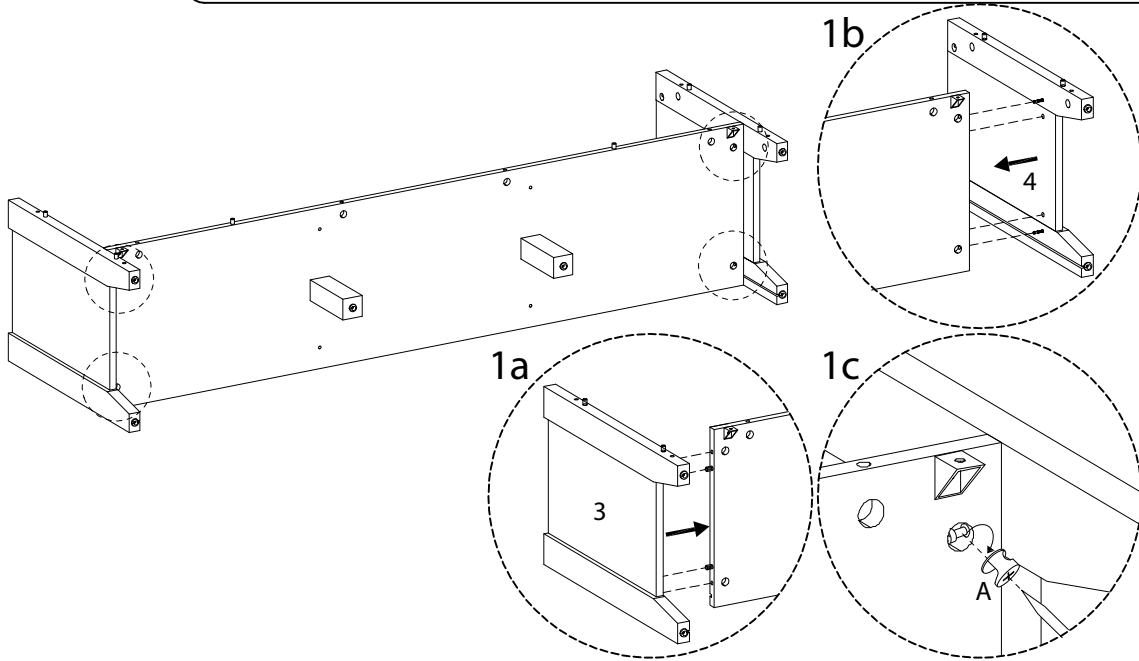
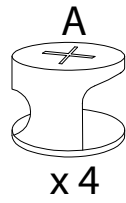
14



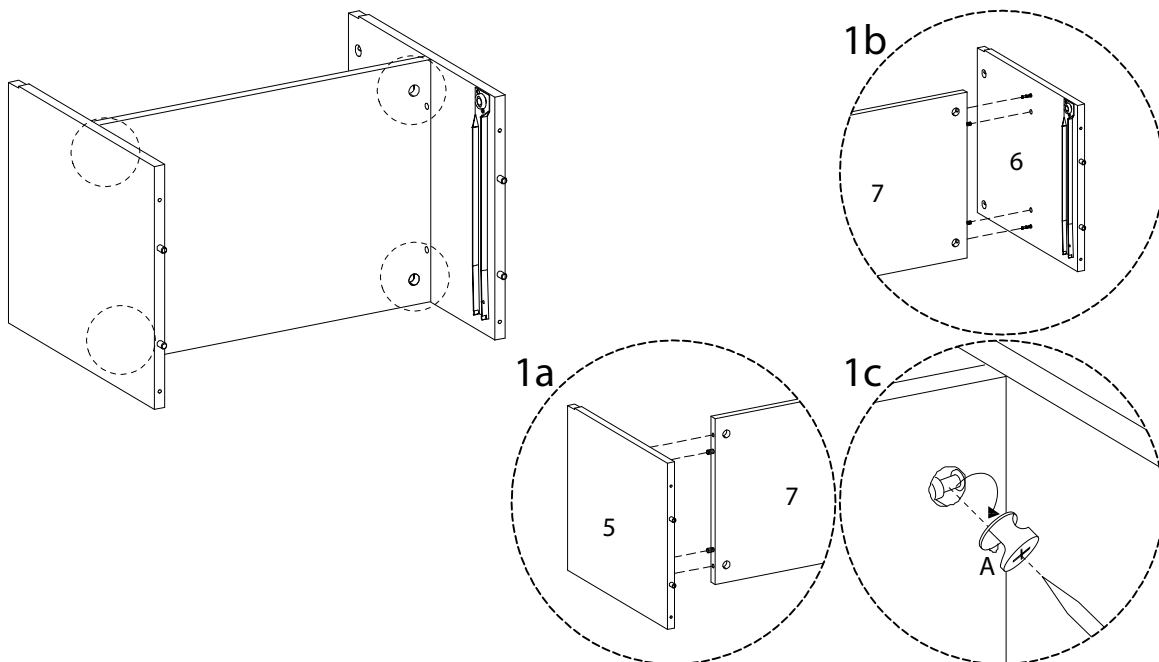
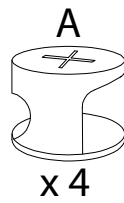
15



16

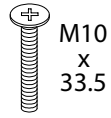


17

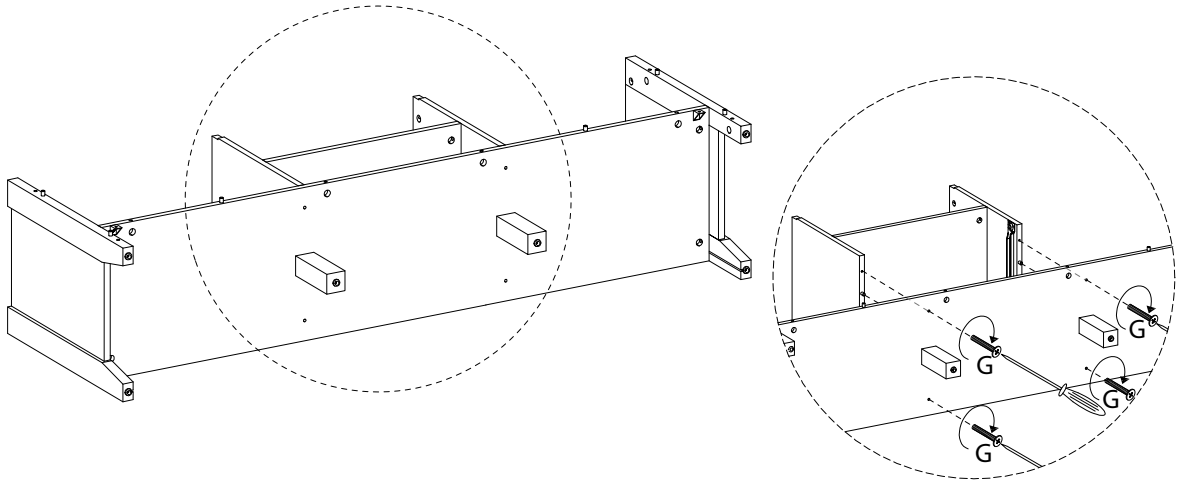


18

G



x 4

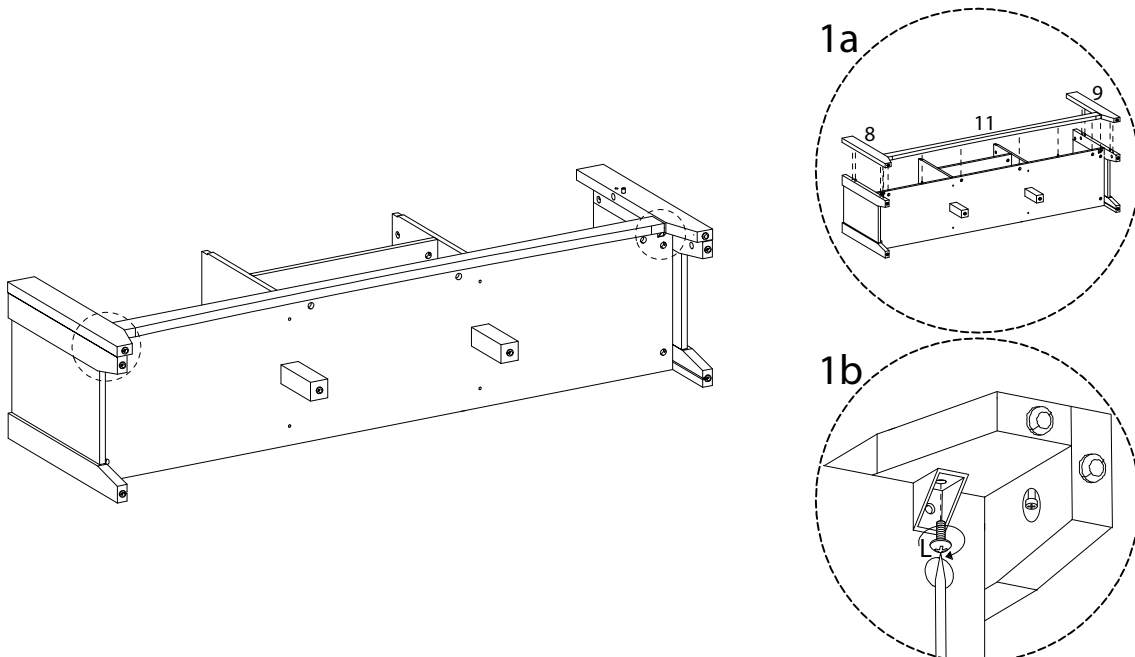


19

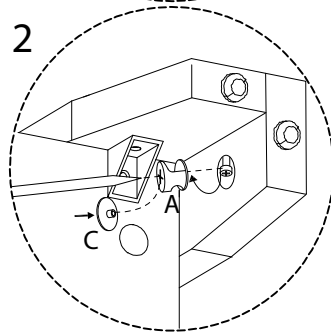
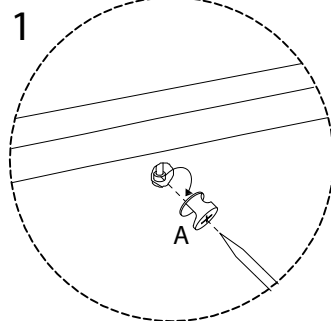
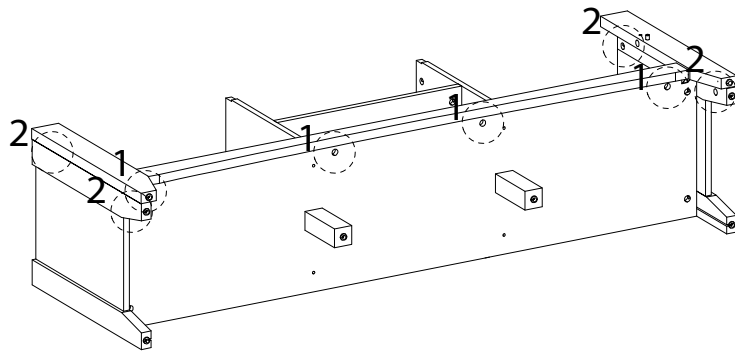
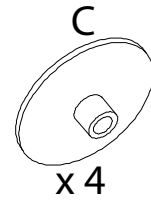
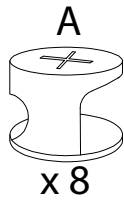
L



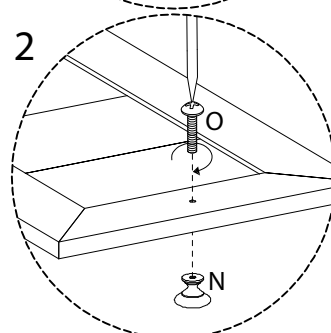
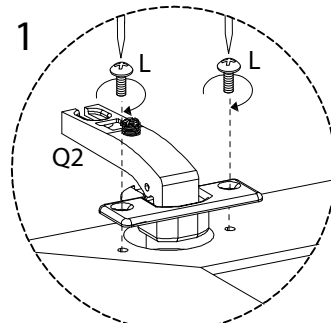
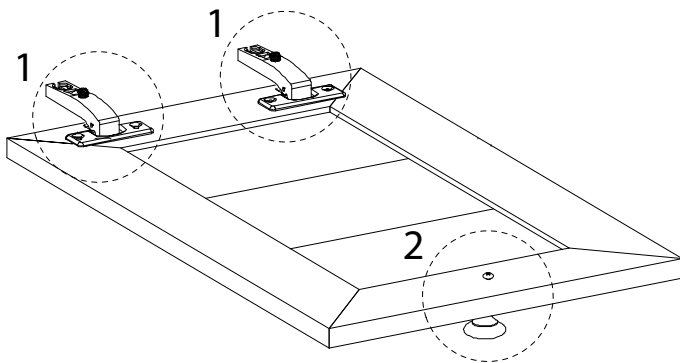
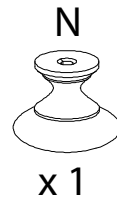
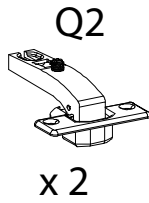
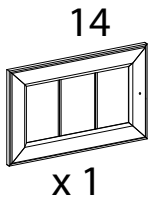
x 2



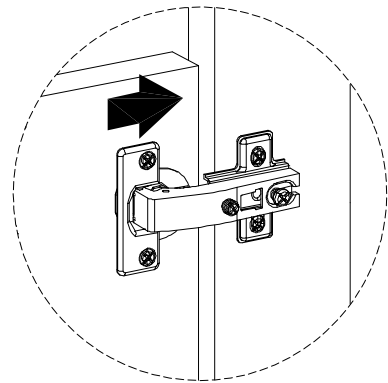
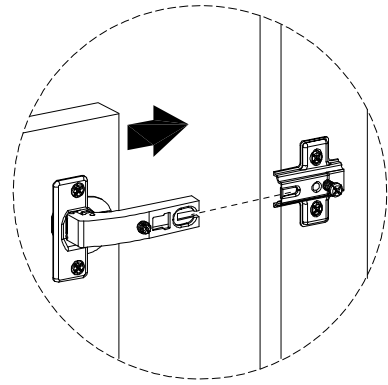
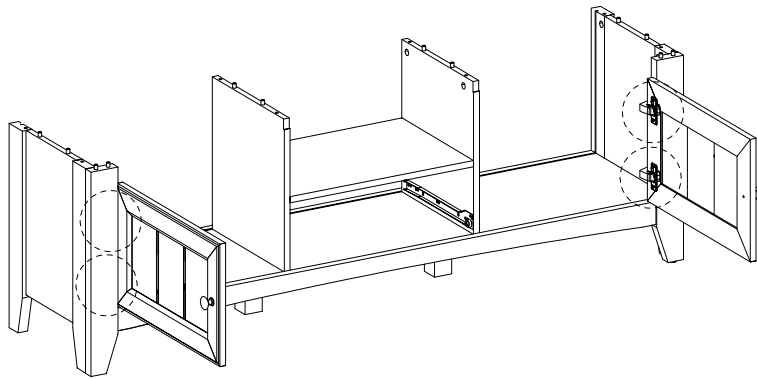
20



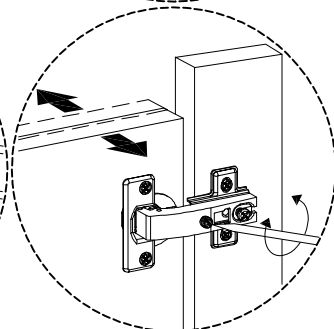
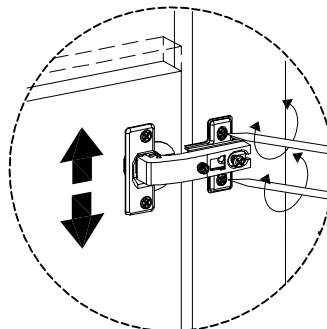
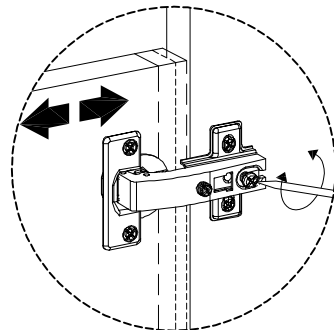
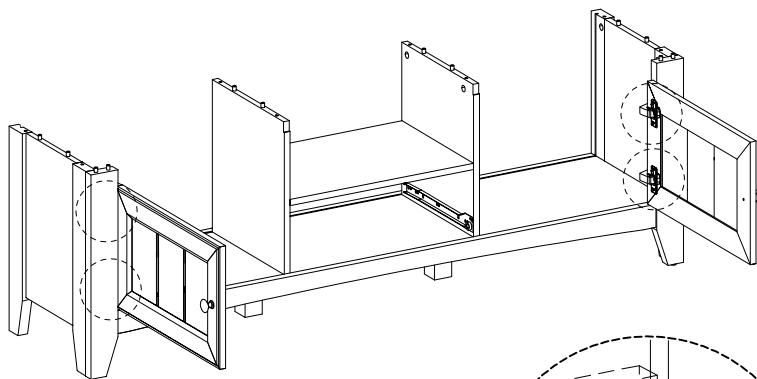
21 x2



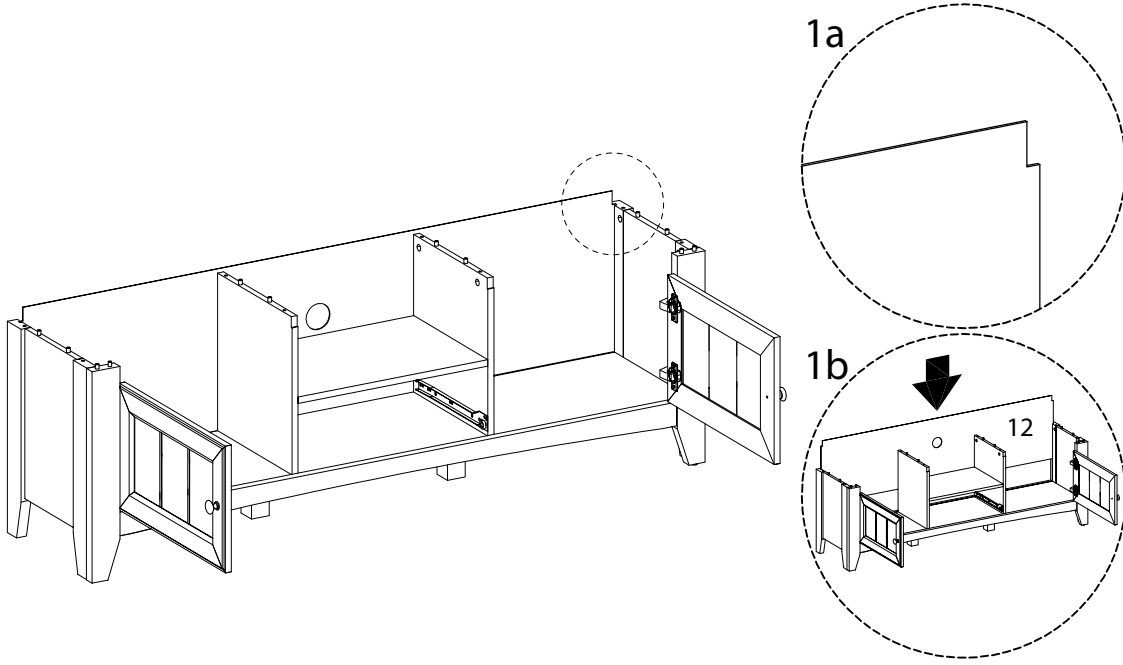
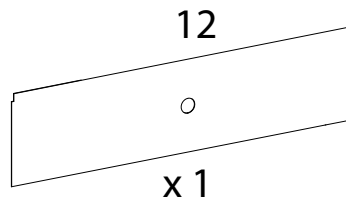
22



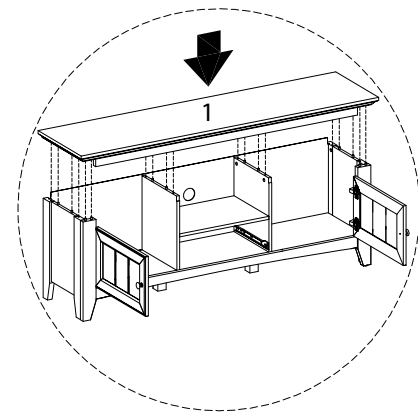
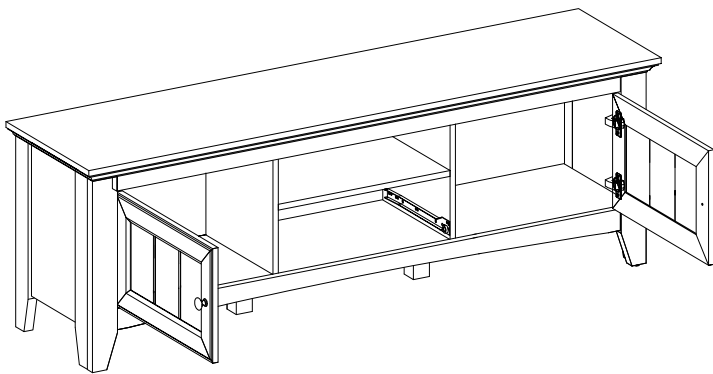
23



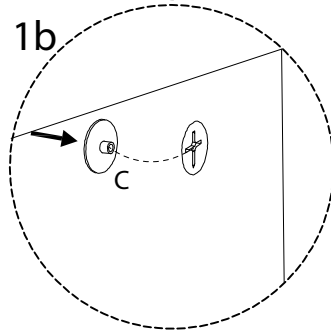
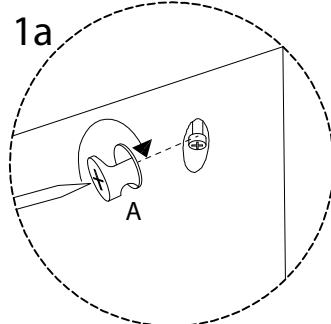
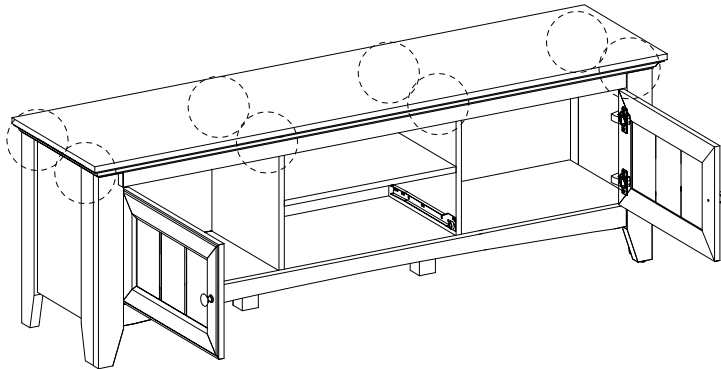
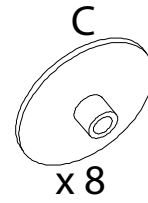
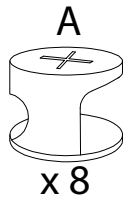
24



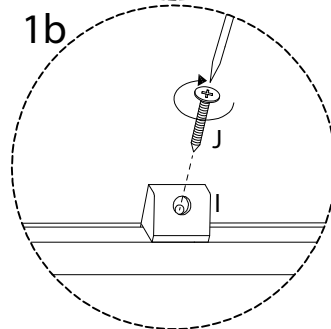
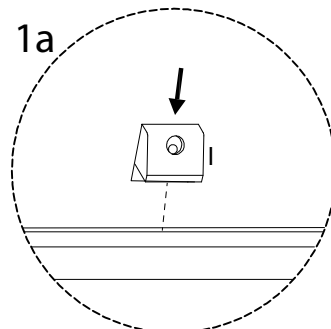
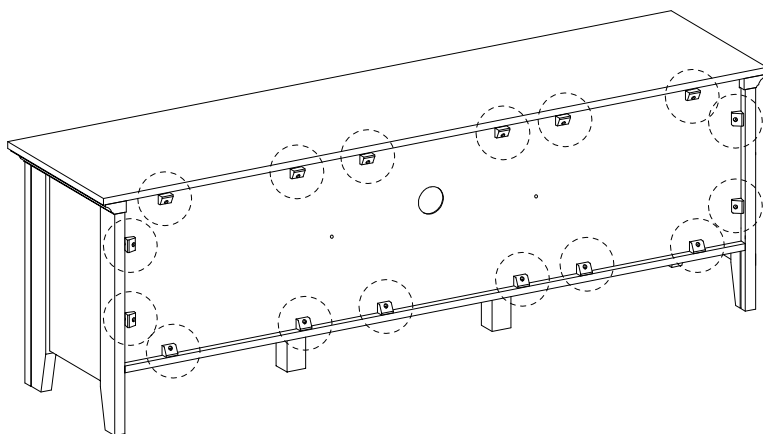
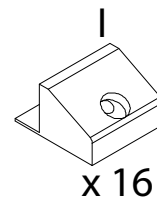
25



26



27

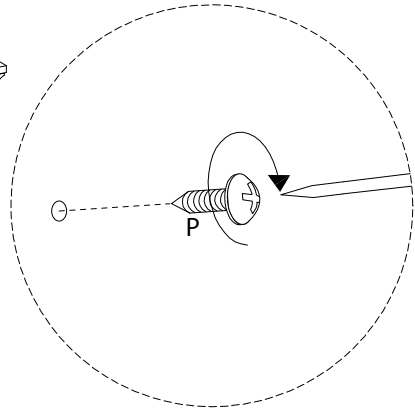
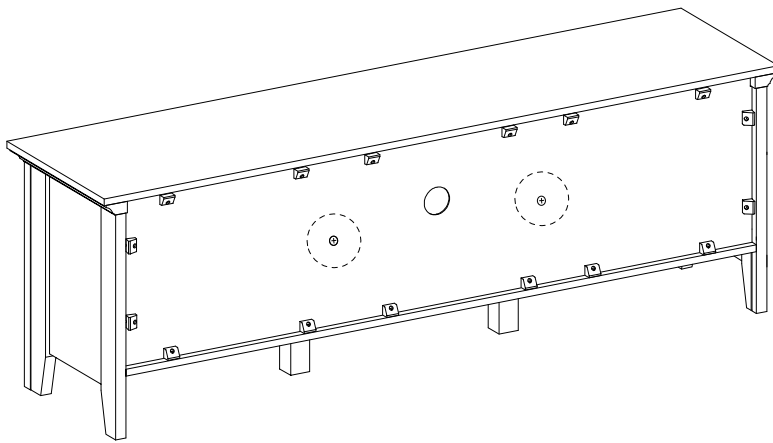


28

P



x 2



29

15



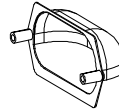
x 1

B



x 4

R

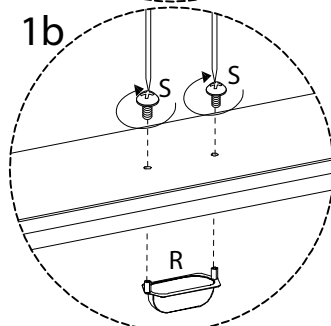
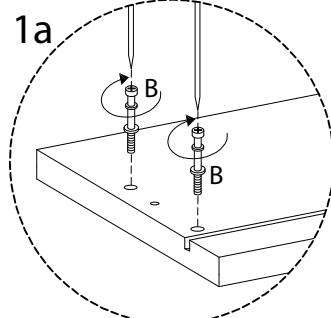
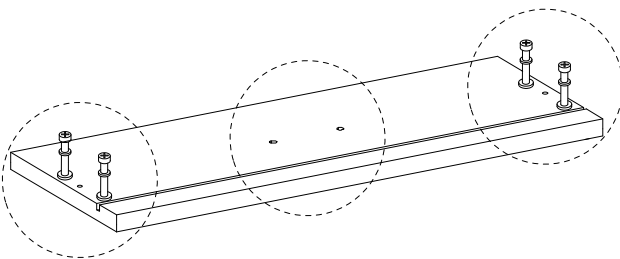


x 1

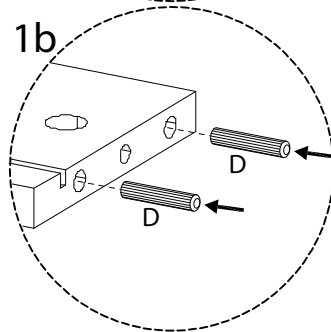
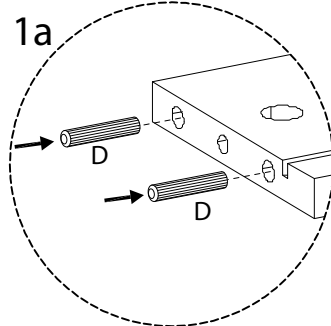
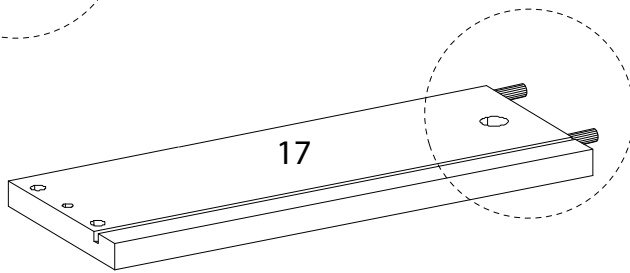
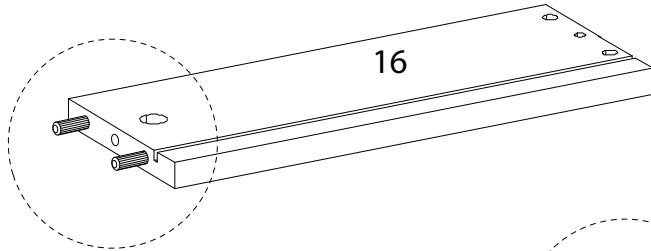
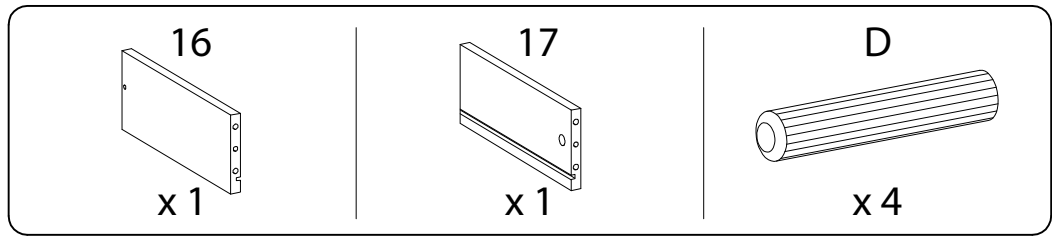
S



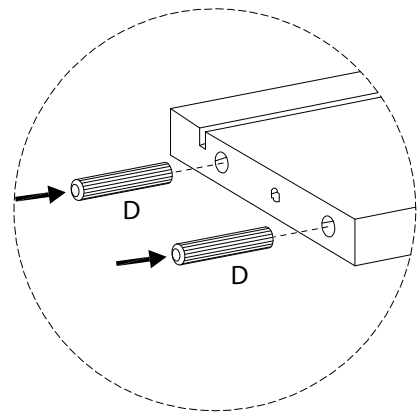
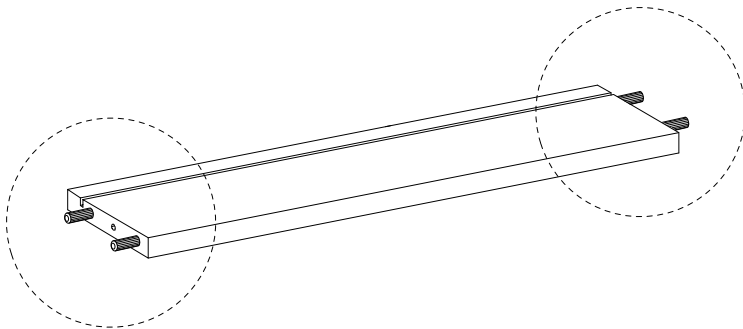
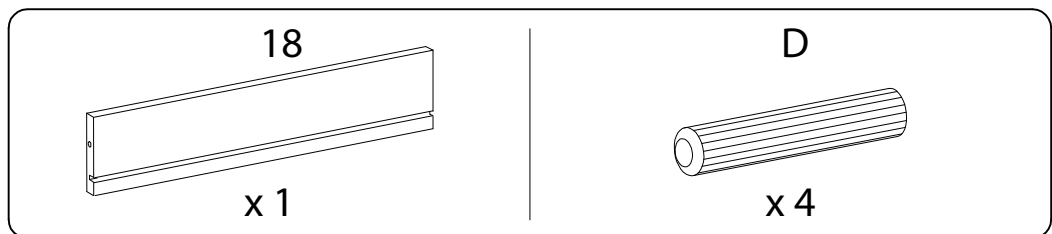
x 2



30

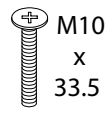


31

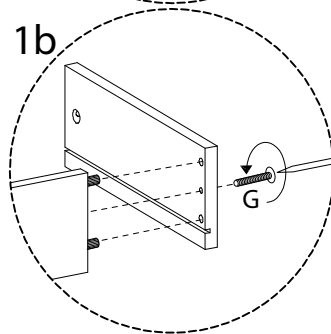
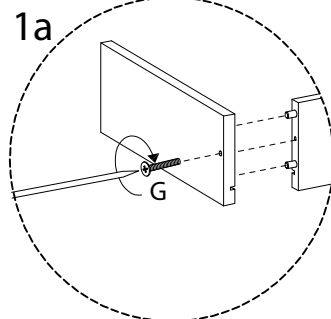
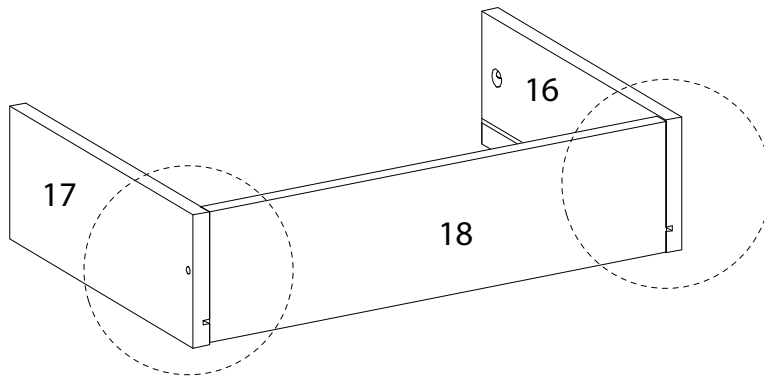


32

G

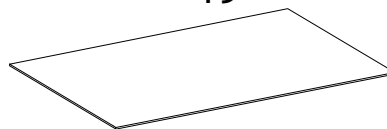


x 2

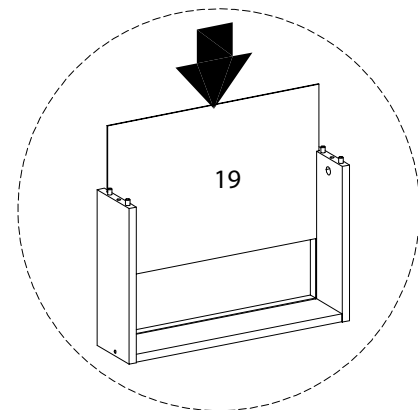
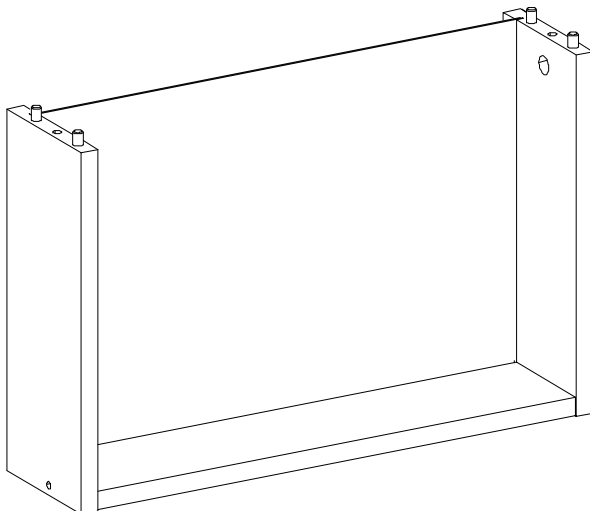


33

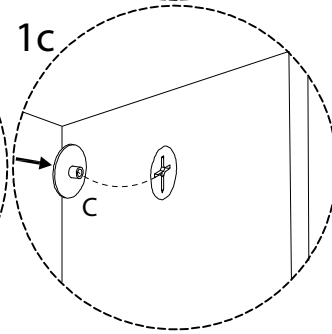
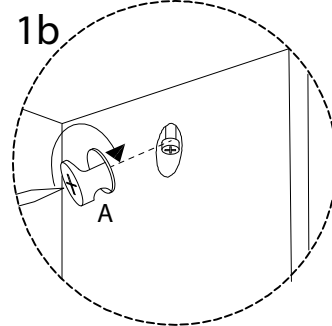
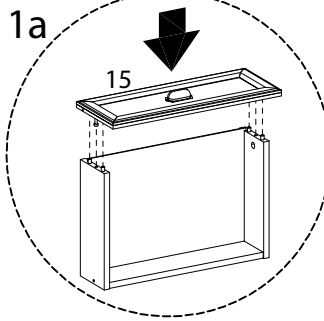
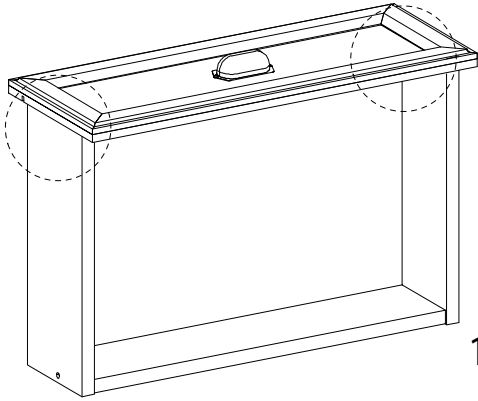
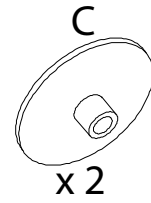
19



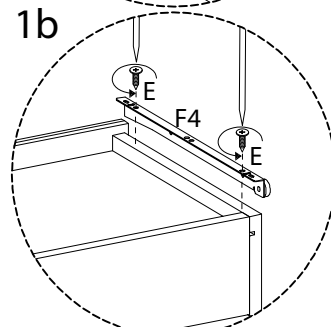
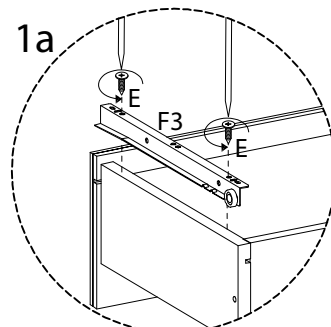
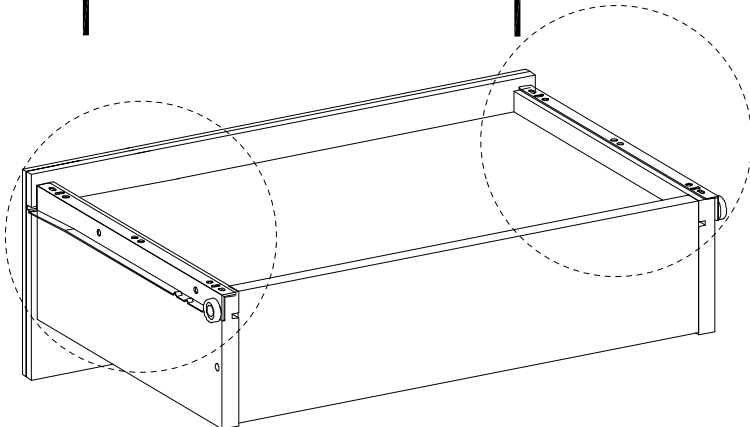
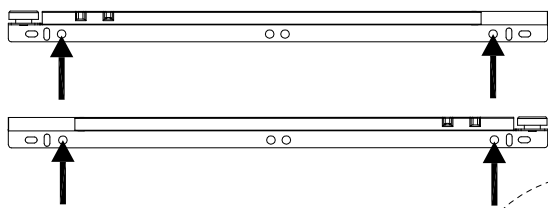
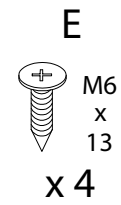
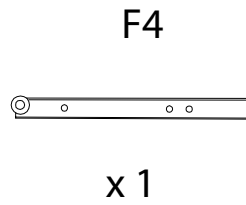
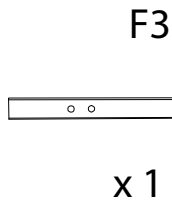
x 1



34



35



36

