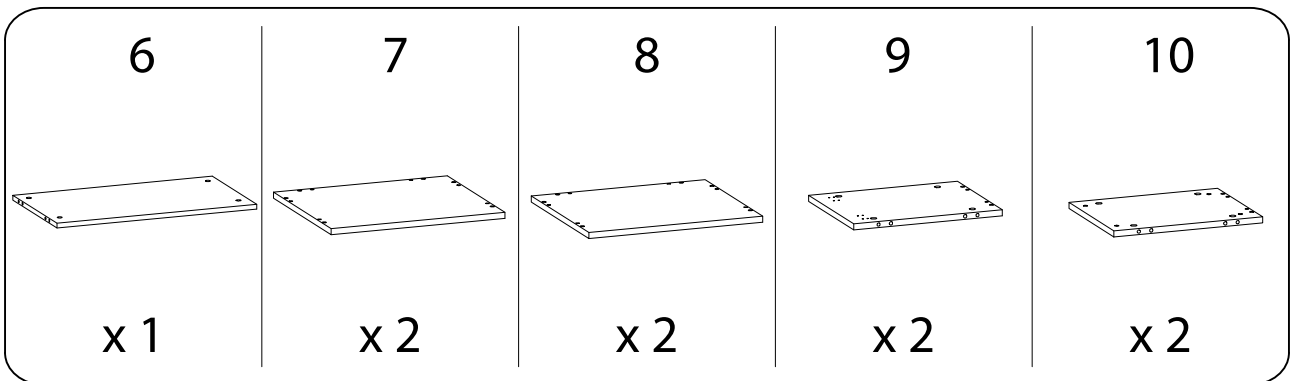
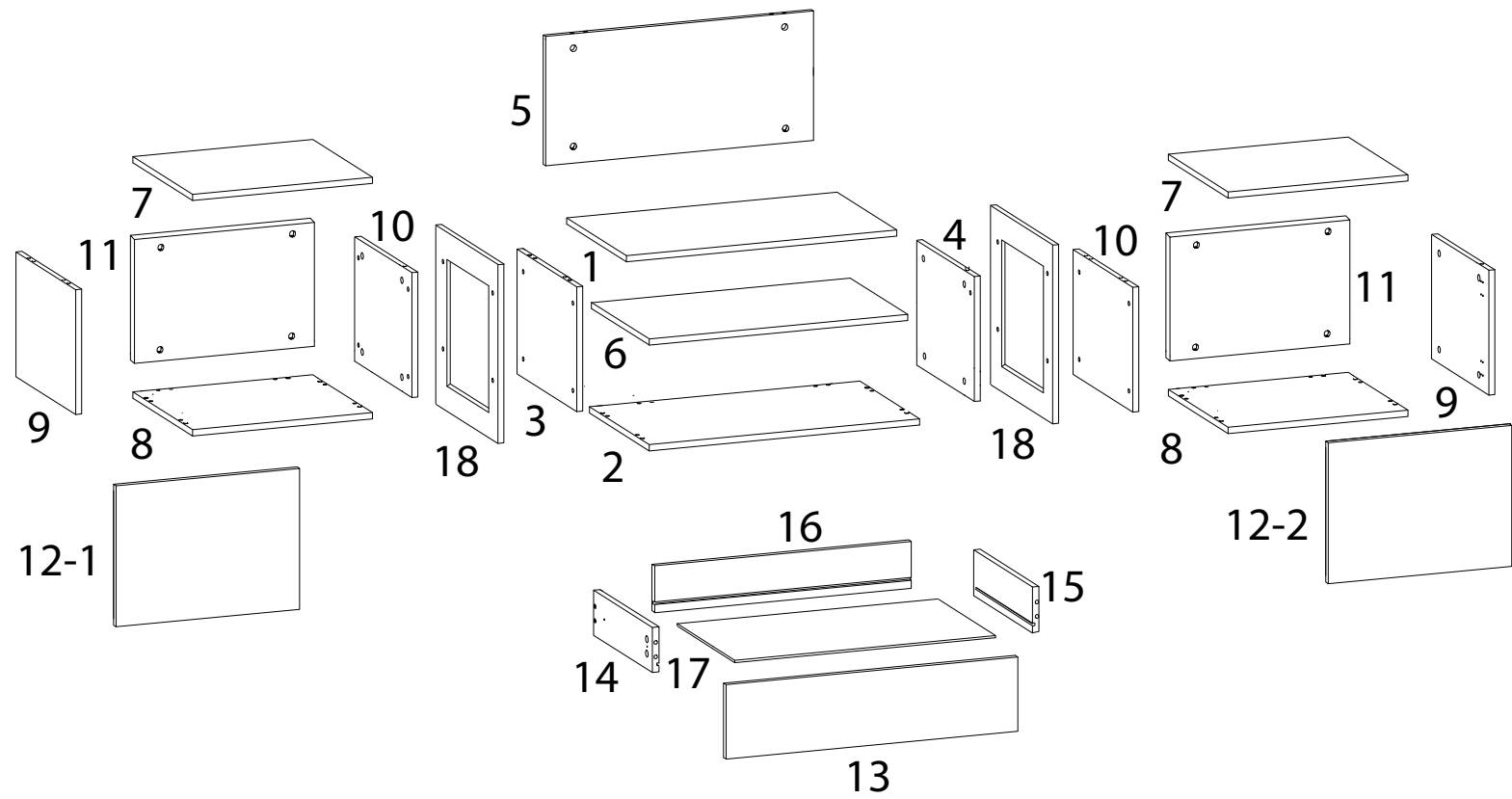
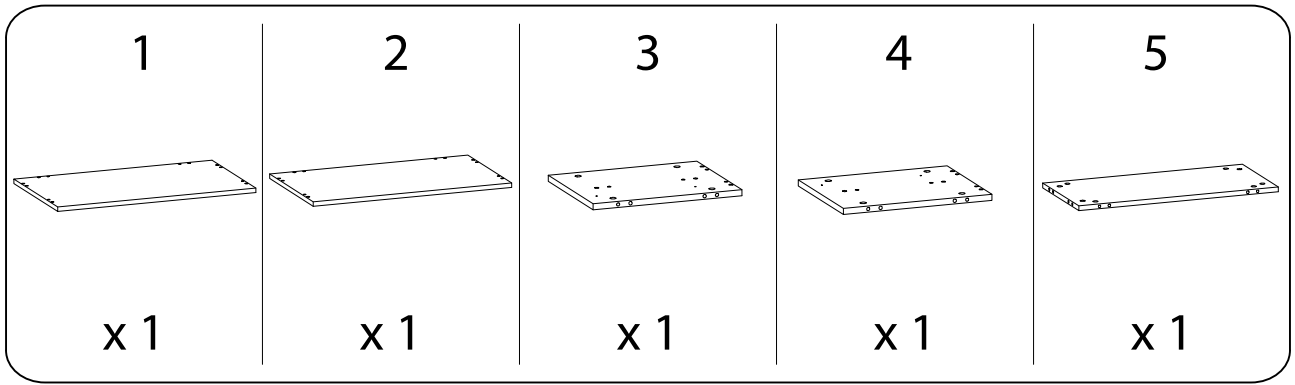
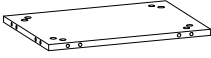



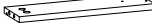




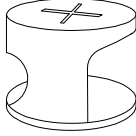

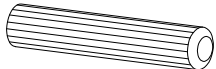
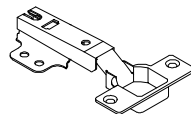


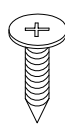
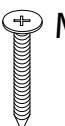
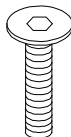
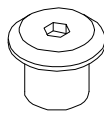
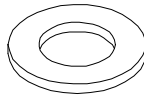

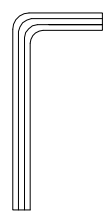


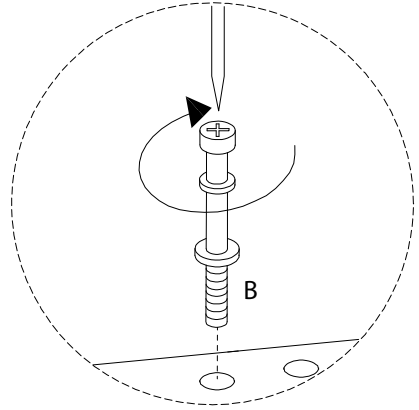
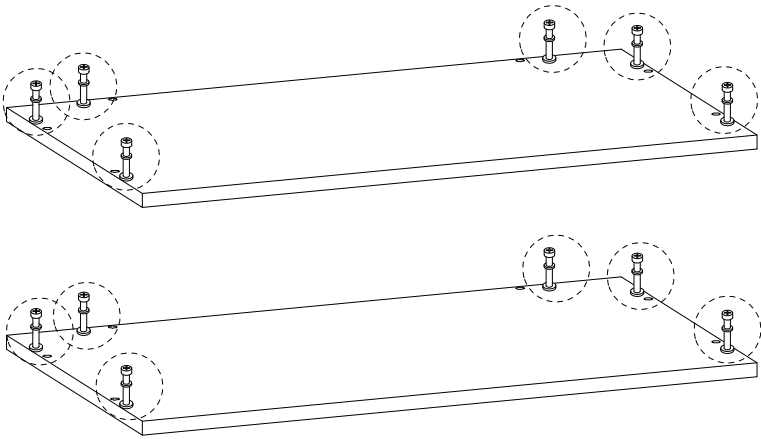
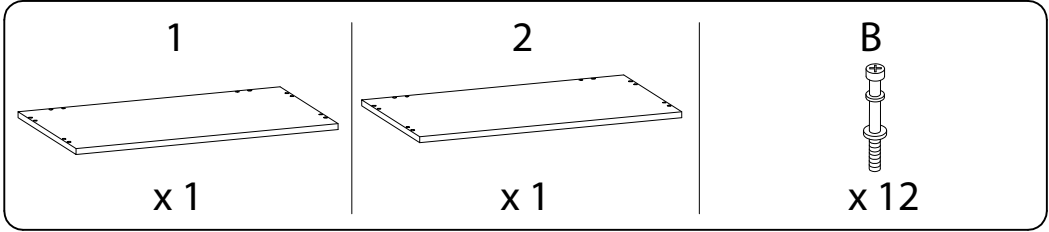
Assembly instructions for step 1/19:

- Tools:** A circle containing a screwdriver and an L-shaped Allen key. A power drill is shown with a diagonal line through it, indicating it should not be used.
- Warning:** A triangle with an exclamation mark.
- Time:** A clock icon with the text "90'" below it, indicating a 90-minute assembly time.
- Personnel:** A stick figure icon with the number "1" below it, indicating that one person is required for assembly.
- Diagram:** A circle containing a 3D perspective of a rectangular block being placed on a textured surface. A second diagram shows the block with a diagonal line through it, indicating it should not be placed on a soft surface like a rug.

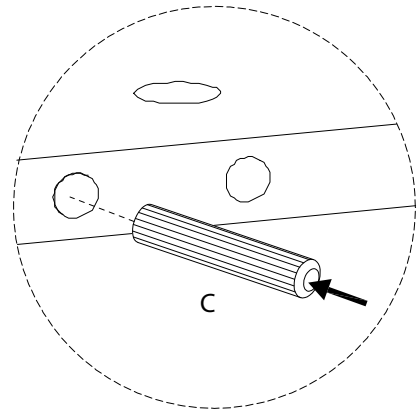
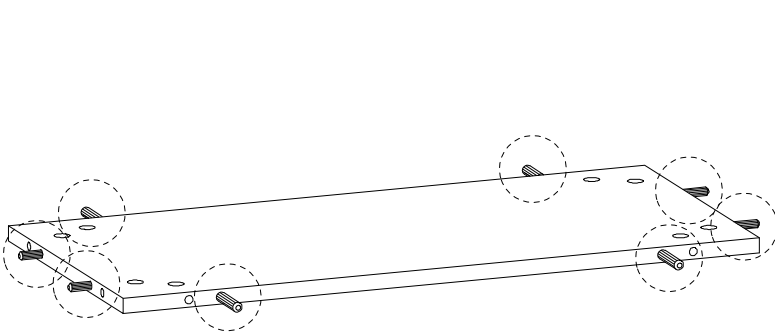
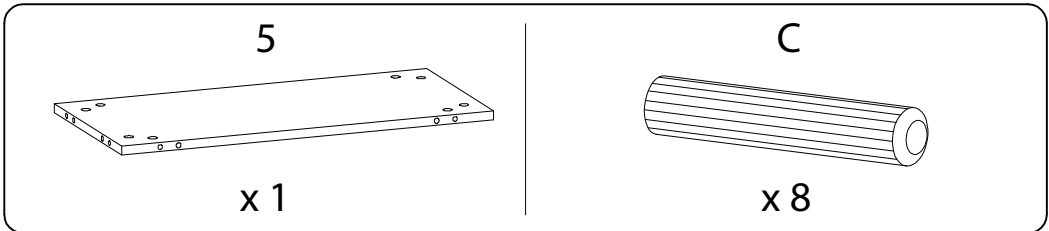


11  x 2	12-1  x 2	12-2  x 1	13  x 1	14  x 1
15  x 1	16  x 1	17  x 1	18  x 2	A  x 56
B  x 56	C  x 52	D  x 4	E  x 2	F  x 2
G  M3.5 x 14 x 32	H  M3.5 x 35 x 4	I  M8 x 25 x 8	J  x 8	K  x 8
L  x 1	M  x 1			

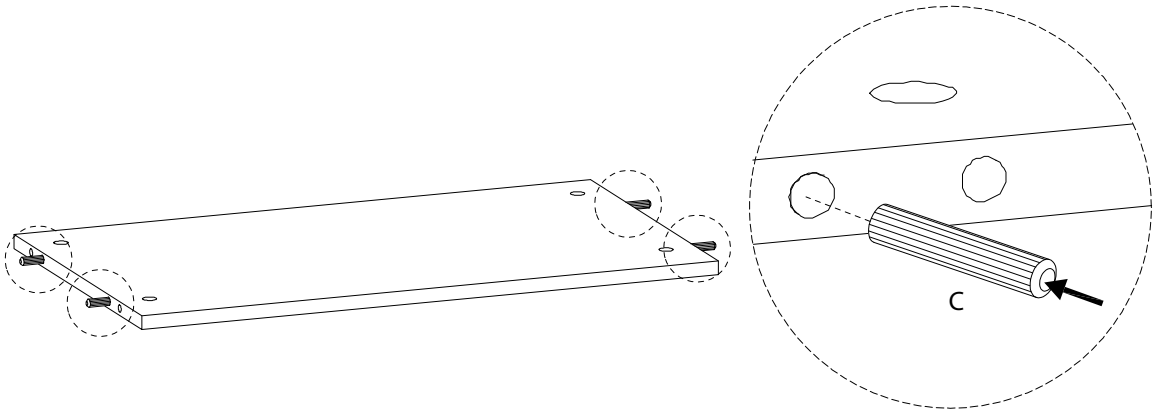
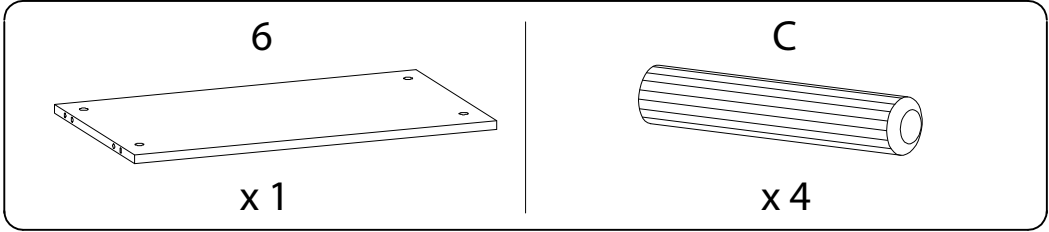
1



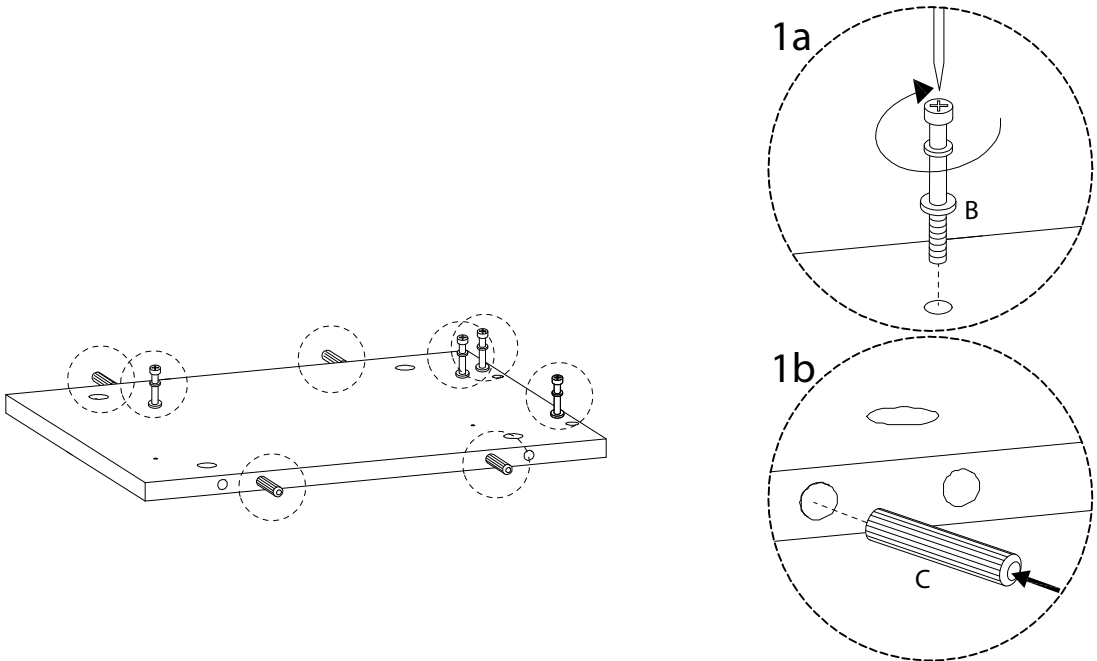
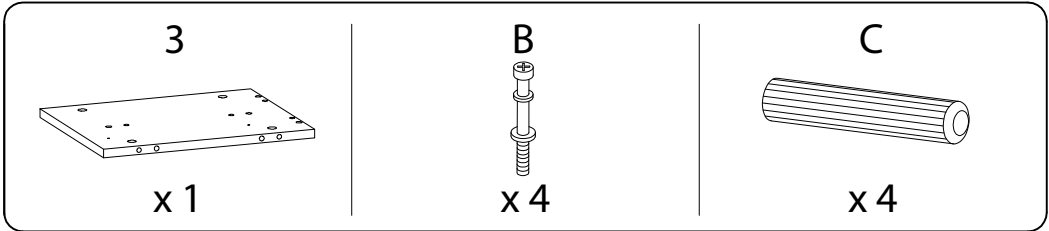
2



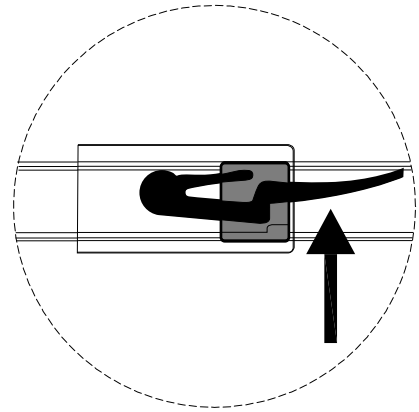
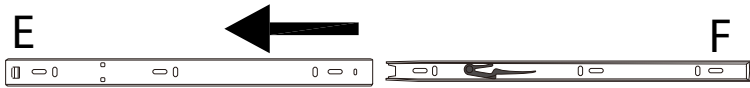
3



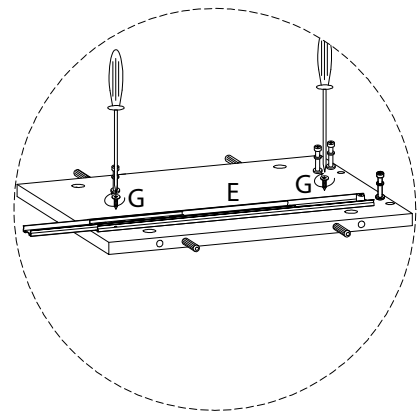
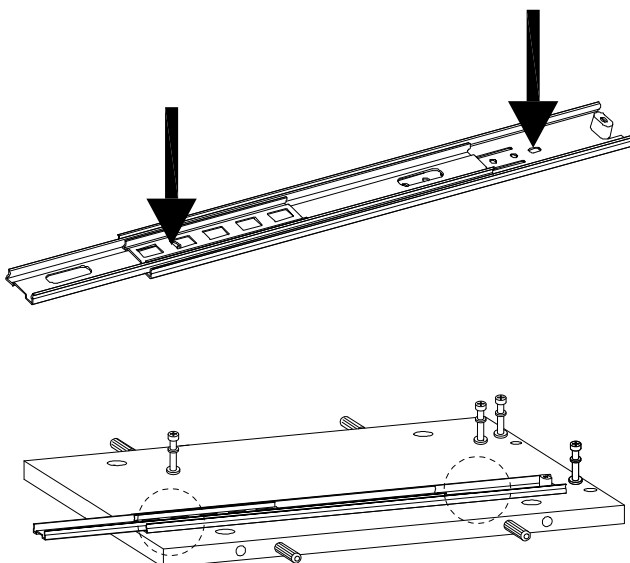
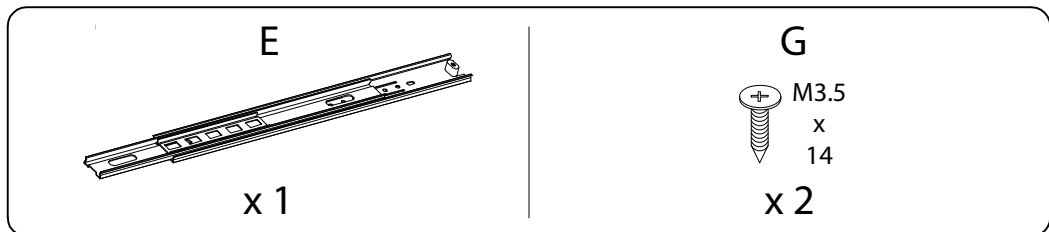
4



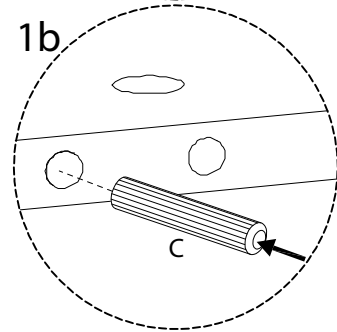
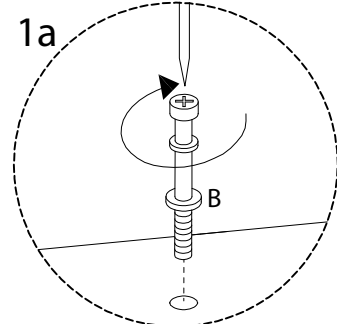
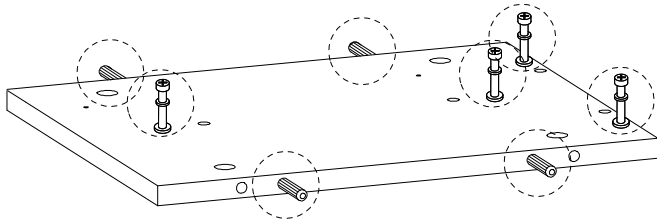
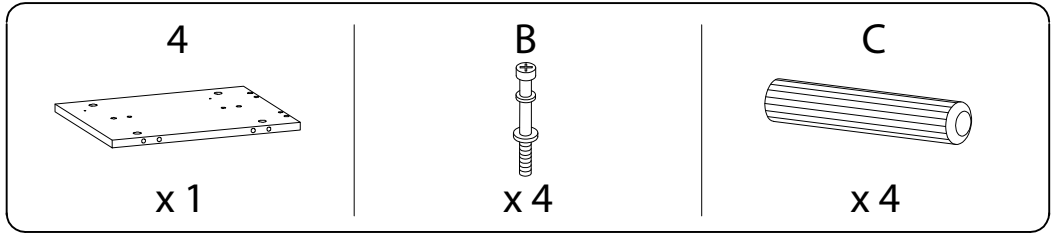
!



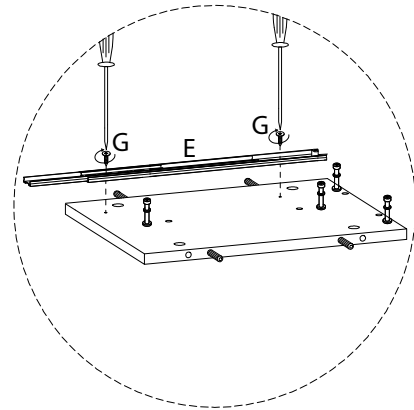
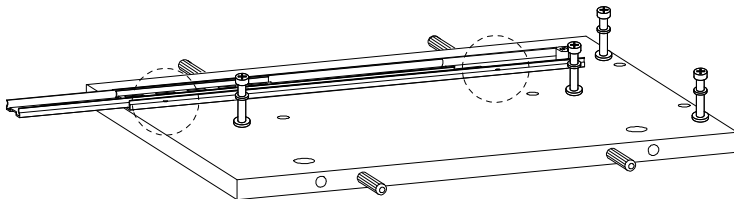
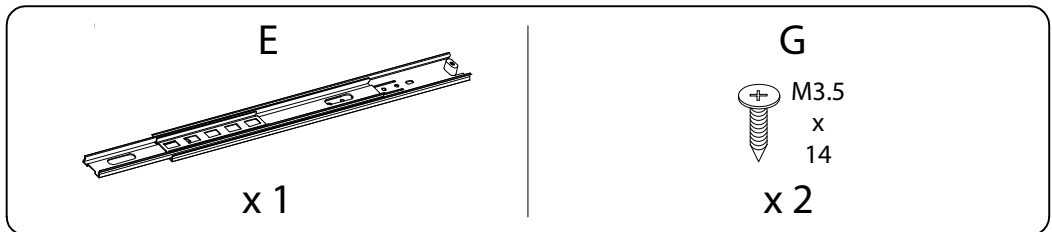
5



6



7

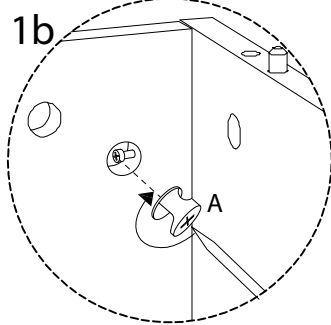
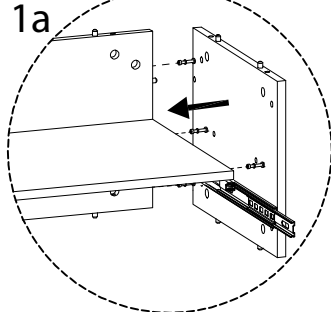
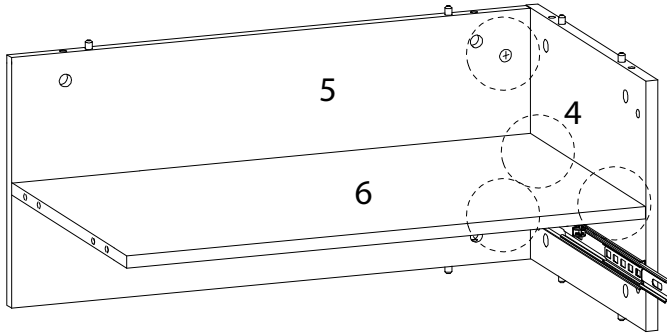


8

A



x 4

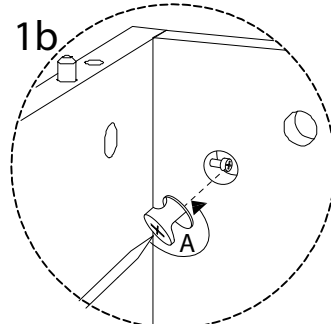
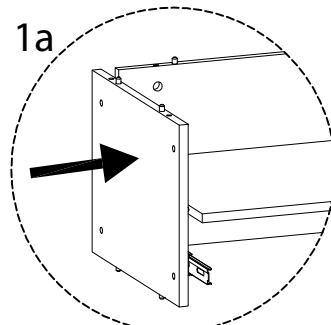
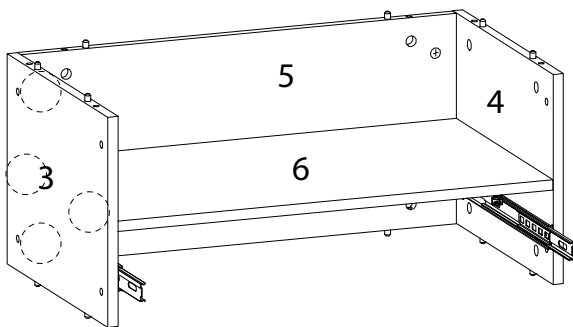


9

A



x 4

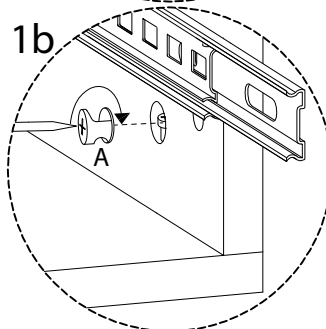
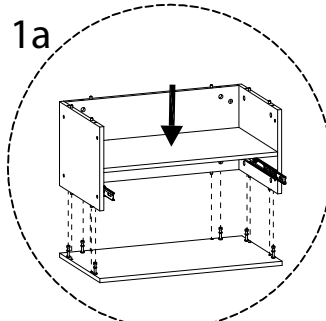
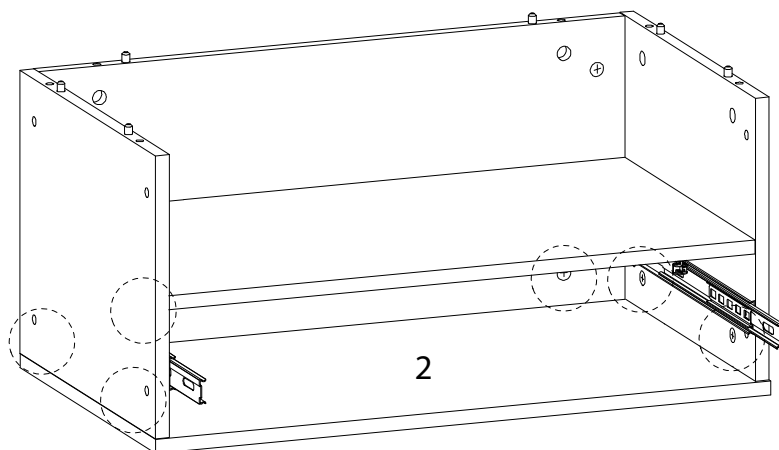


10

A



x 6

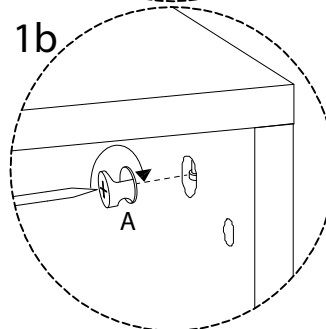
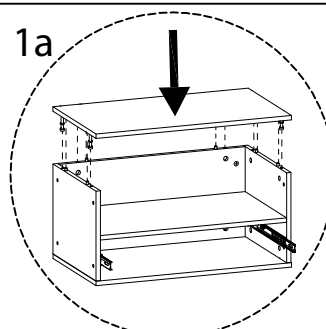
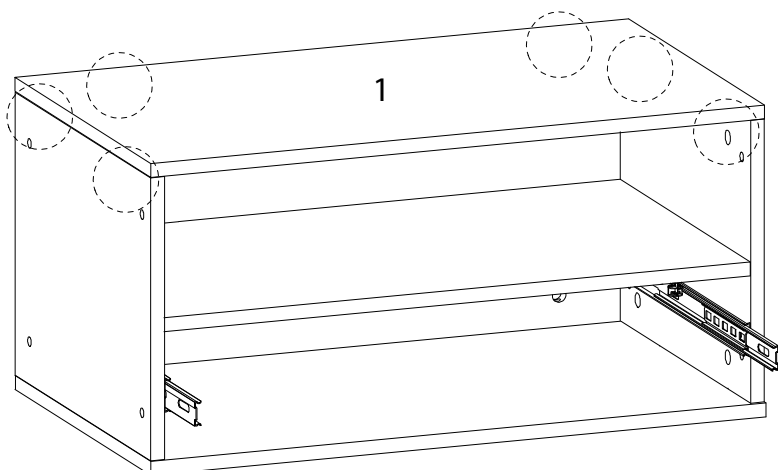


11

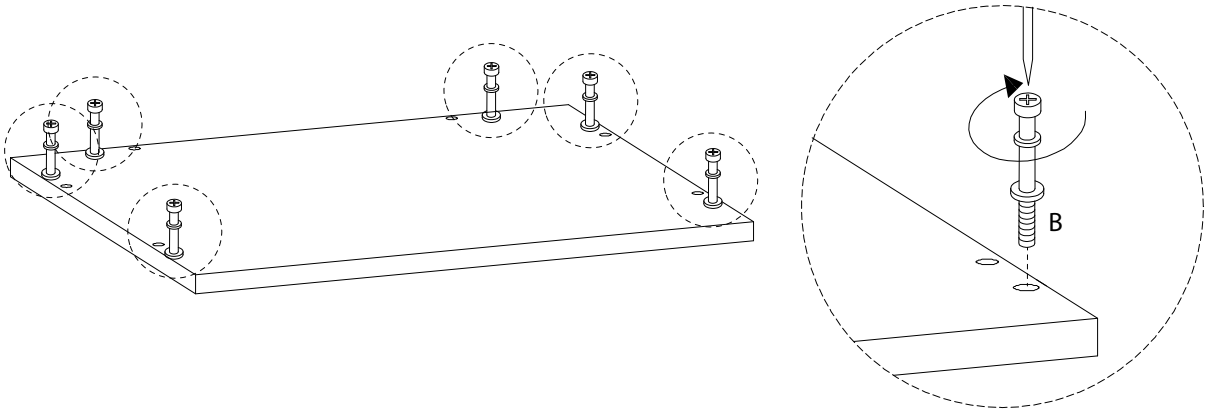
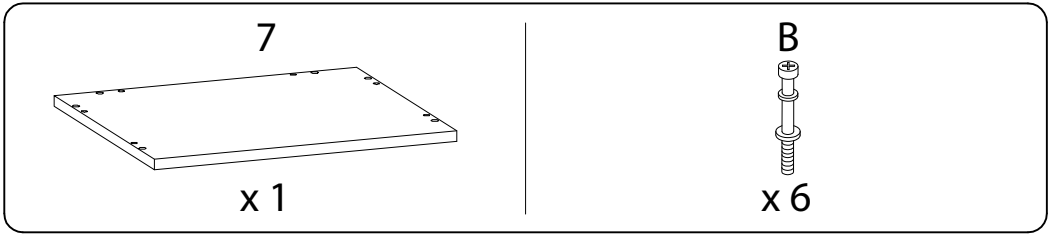
A



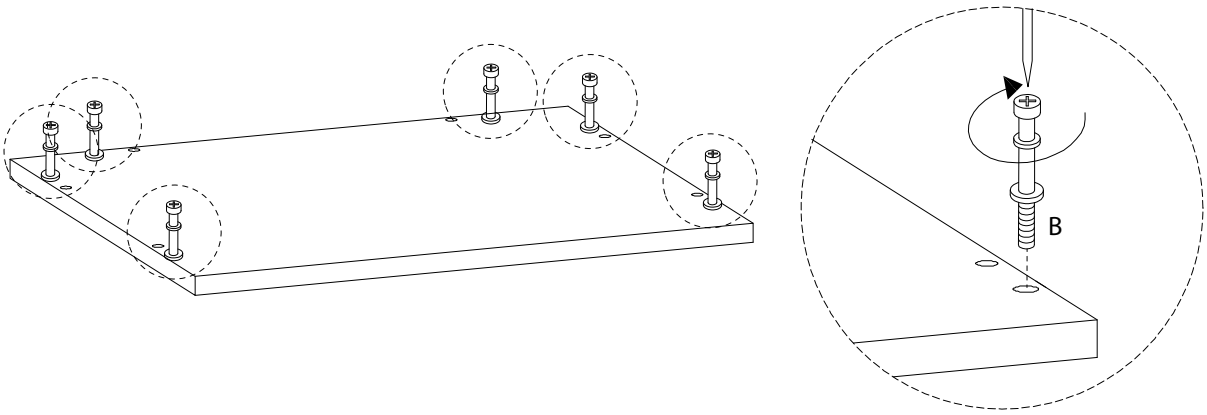
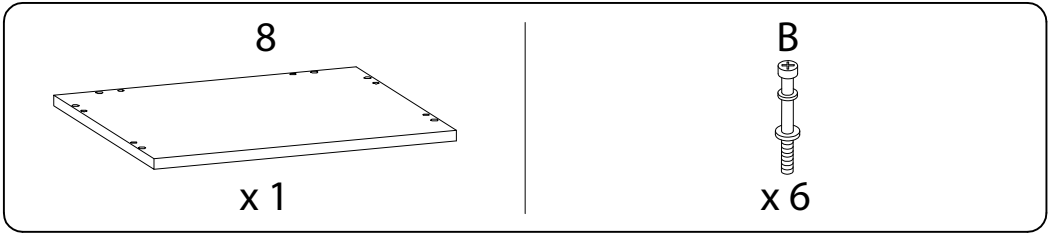
x 6



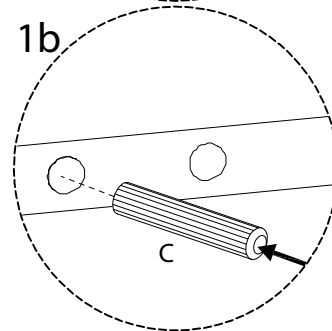
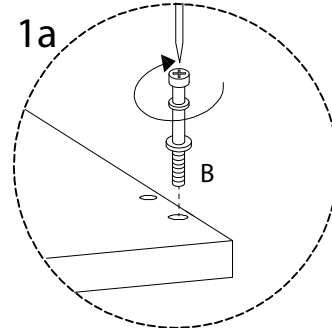
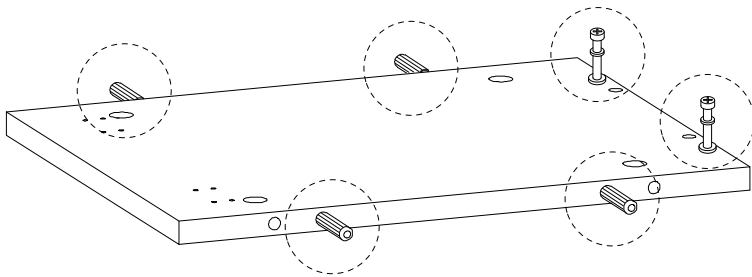
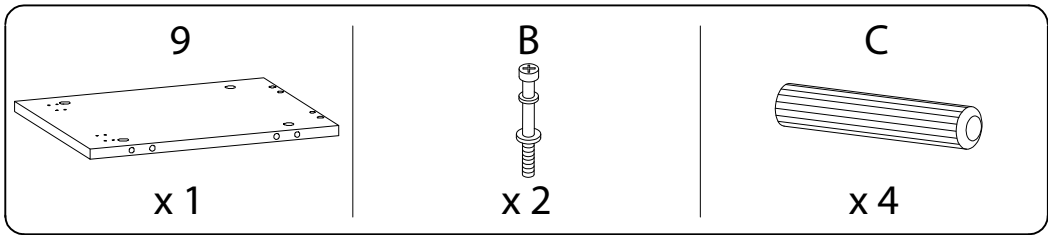
12 x2



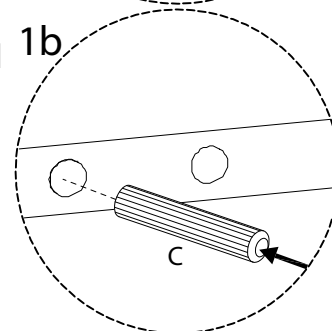
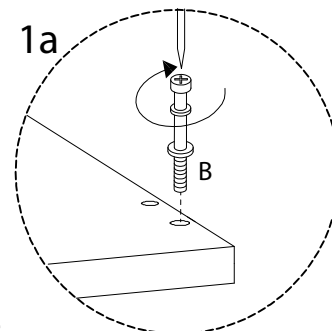
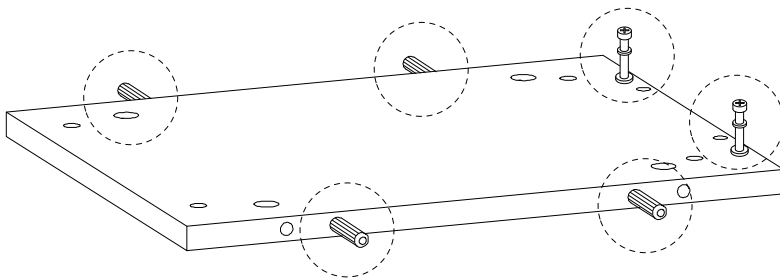
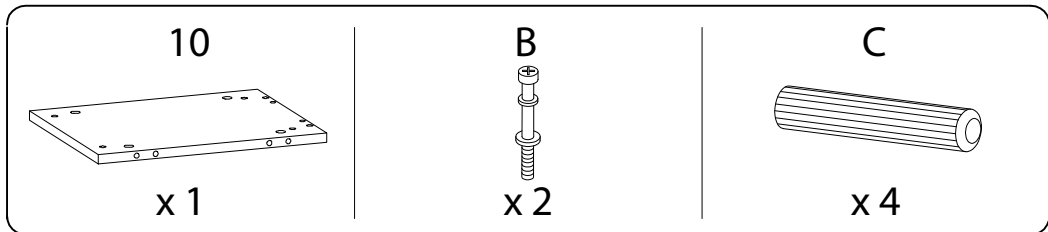
13 x2



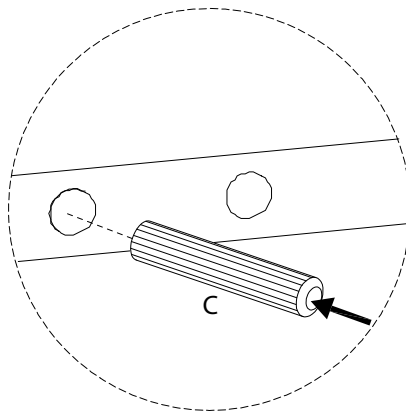
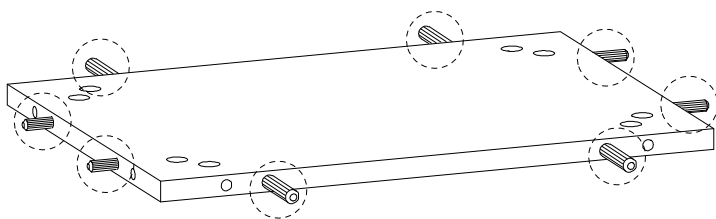
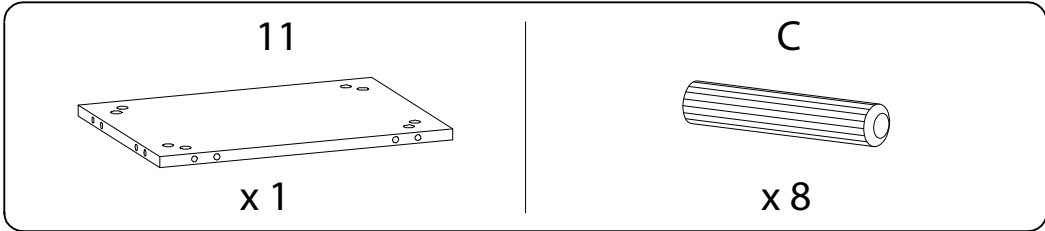
14 x2



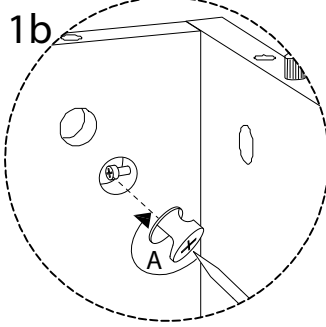
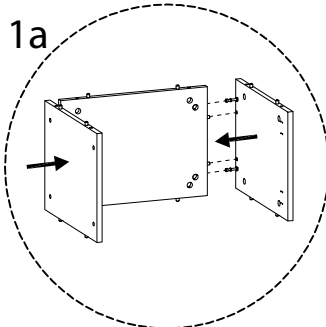
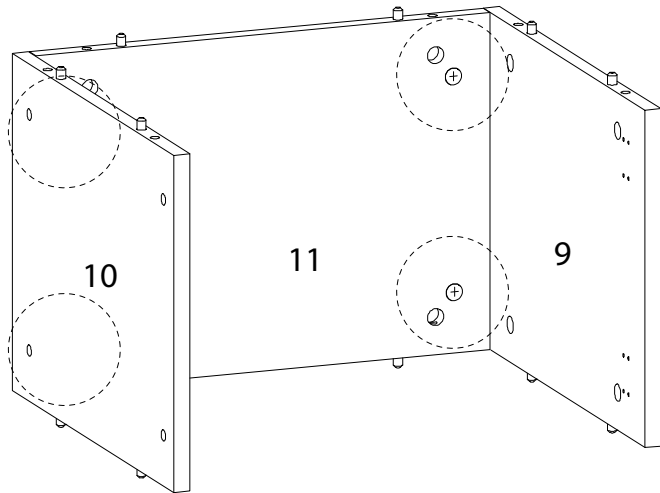
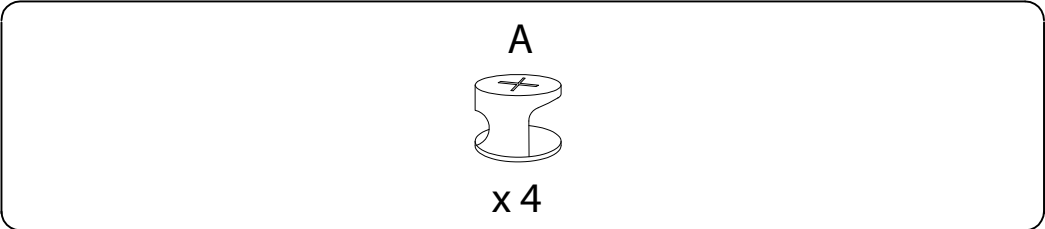
15 x2



16 x2

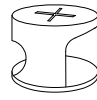


17

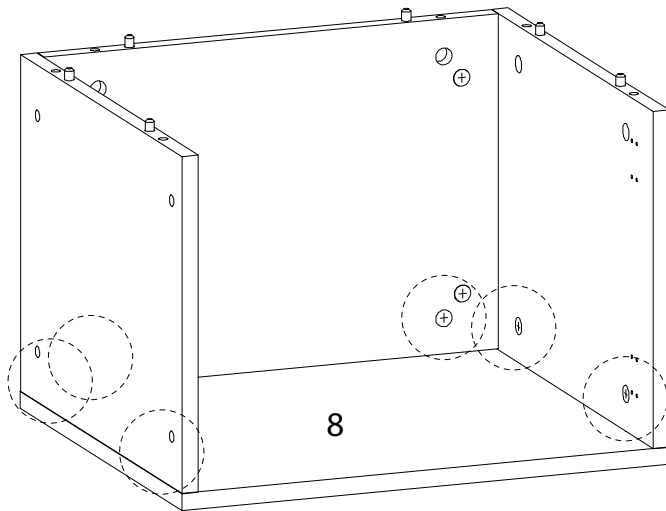


18

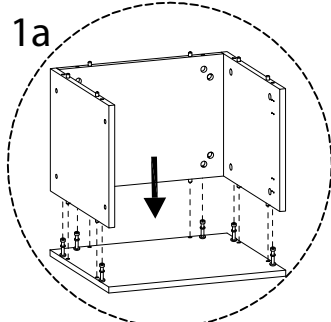
A



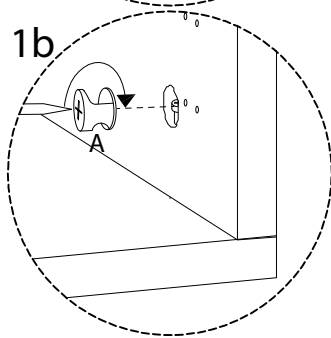
x6



1a

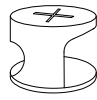


1b

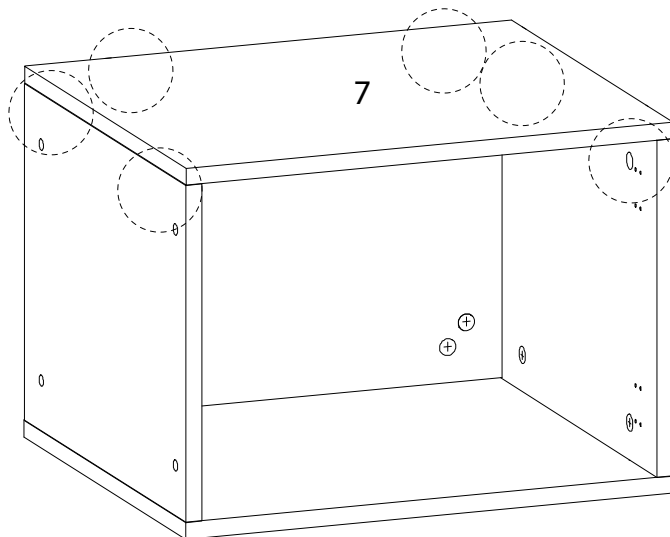


19

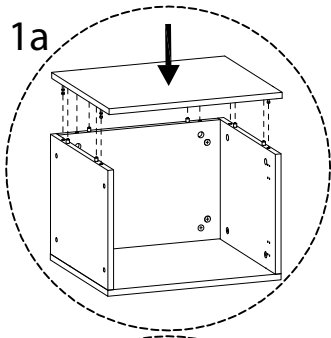
A



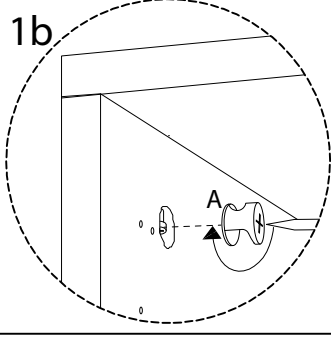
x6



1a



1b

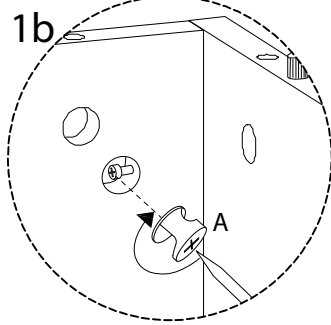
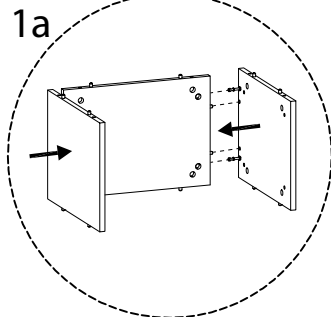
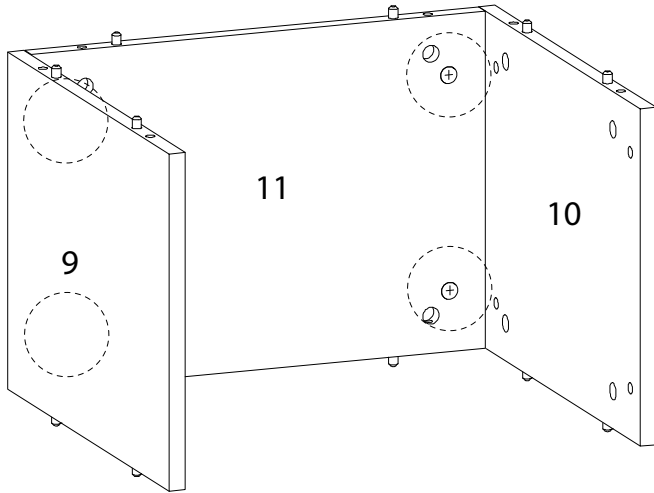


20

A



x 4

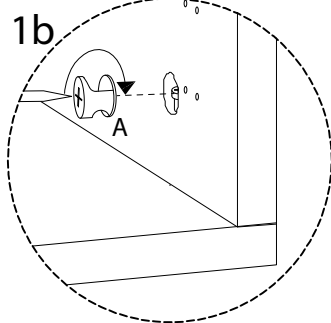
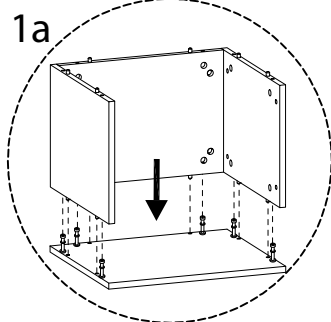
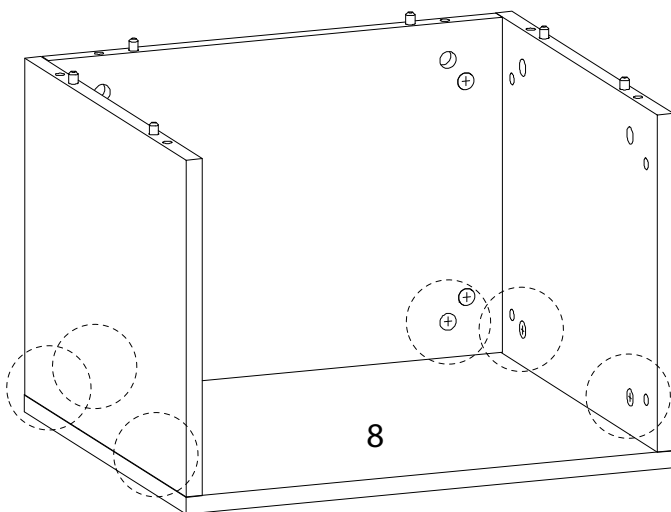


21

A

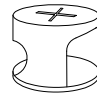


x 6

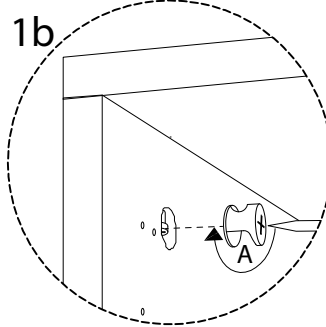
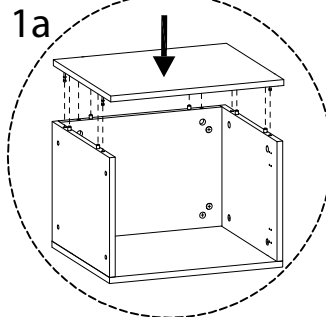
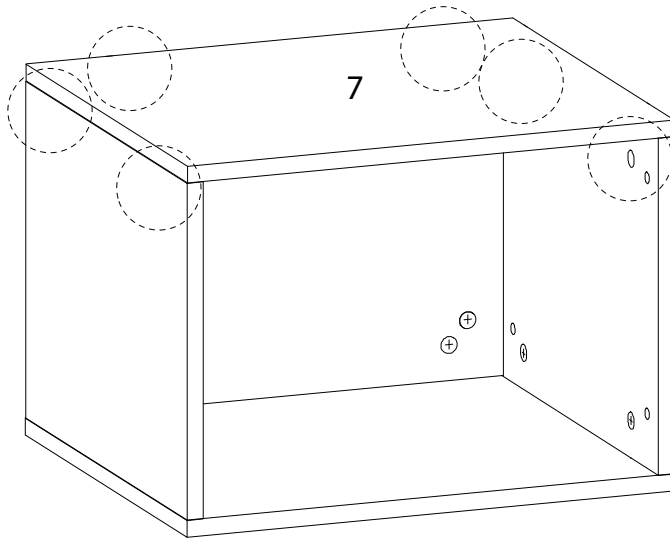


22

A



x6



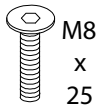
23

18



x1

I



x4

J



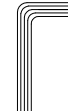
x4

K



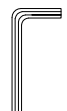
x4

L

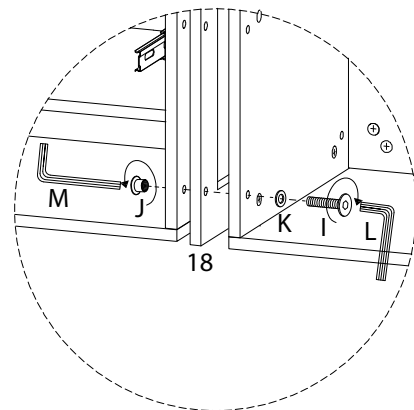
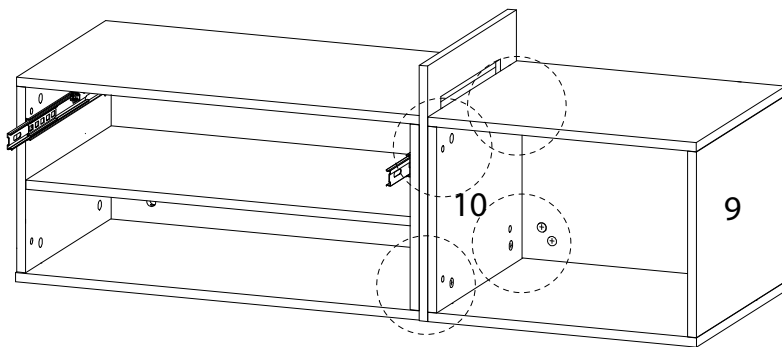


x1

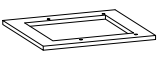
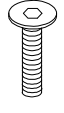
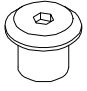
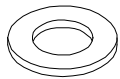
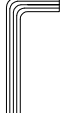

M

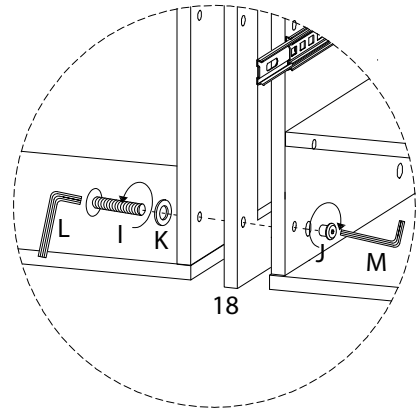
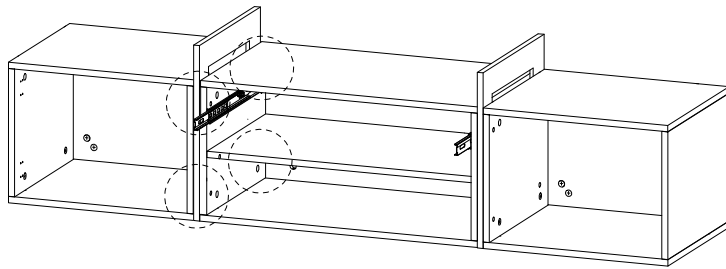


x1




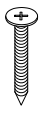


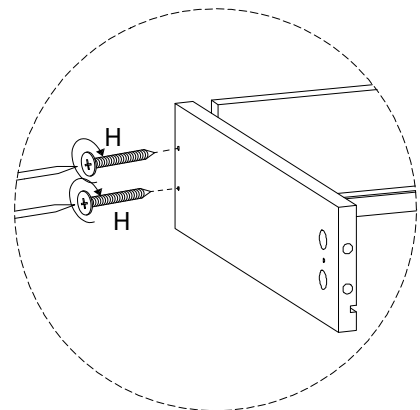
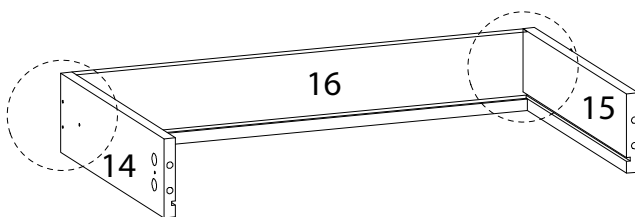
24

18  x 1	I M8 x 25  x 4	J  x 4	K  x 4	L  x 1	M  x 1
------------------------------------------------------------------------------------------------	----------------------------------------------------------------------------------------------------------------	-----------------------------------------------------------------------------------------------	------------------------------------------------------------------------------------------------	-------------------------------------------------------------------------------------------------	-------------------------------------------------------------------------------------------------



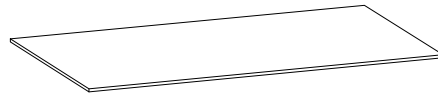
25

14  x 1	15  x 1	16  x 1	H M3.5 x 35  x 4
--------------------------------------------------------------------------------------------------	--------------------------------------------------------------------------------------------------	---------------------------------------------------------------------------------------------------	----------------------------------------------------------------------------------------------------------------------

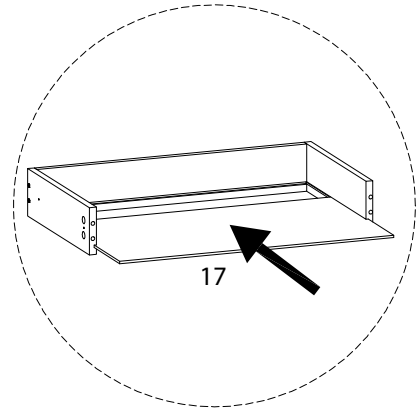
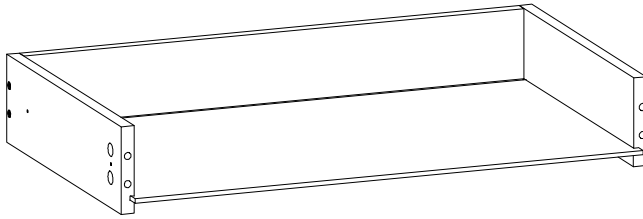


26

17



x 1



27

13

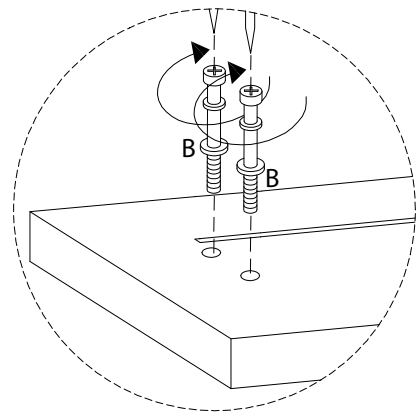
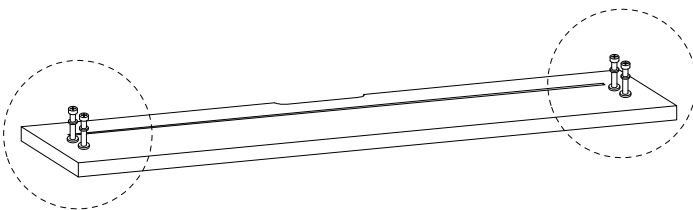


x 1

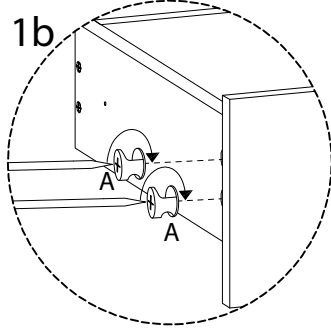
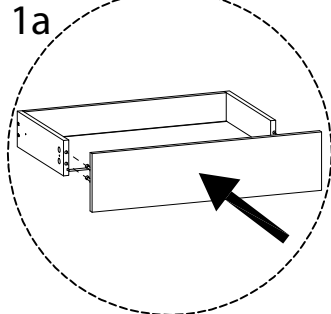
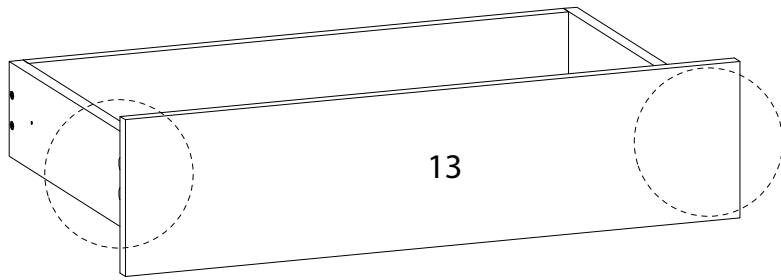
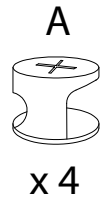
B



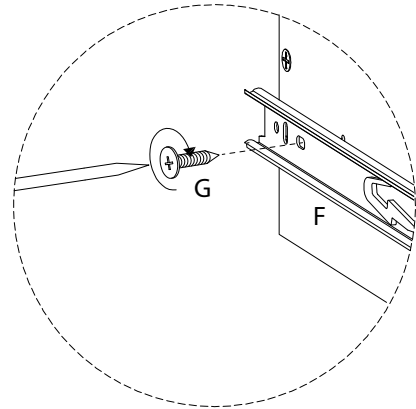
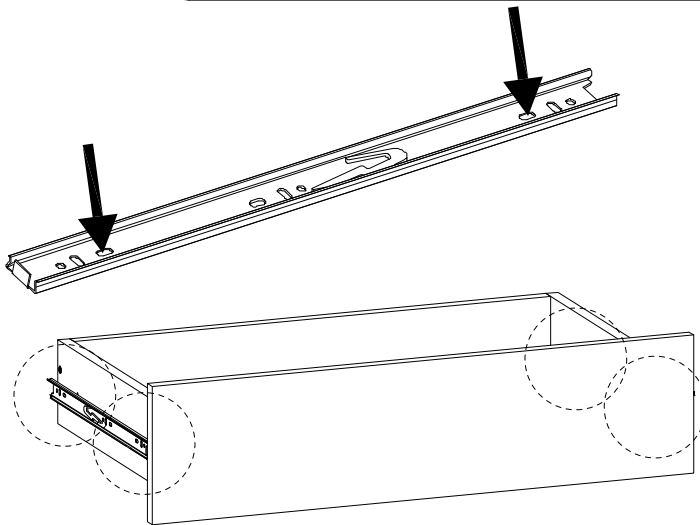
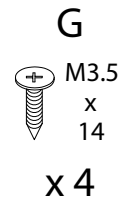
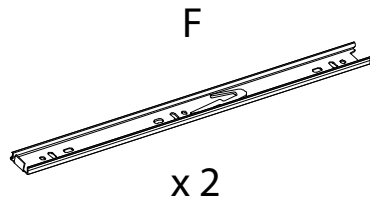
x 4



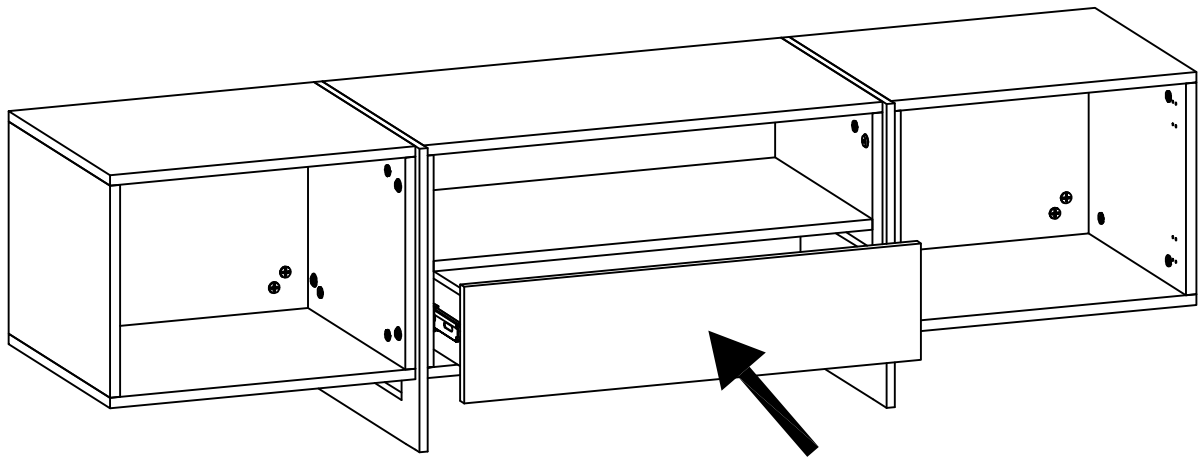
28



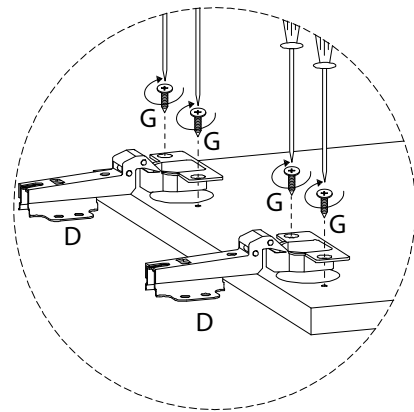
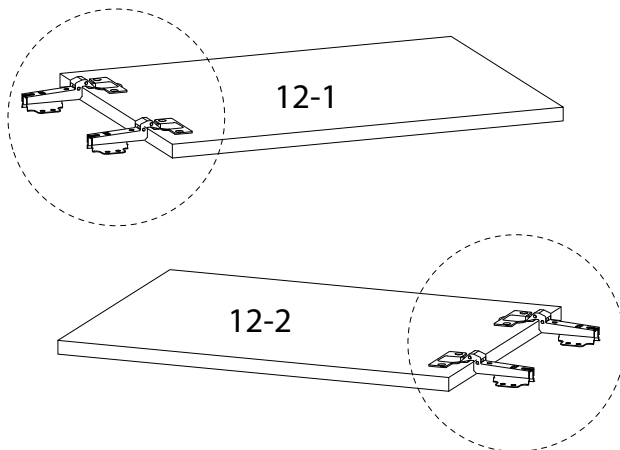
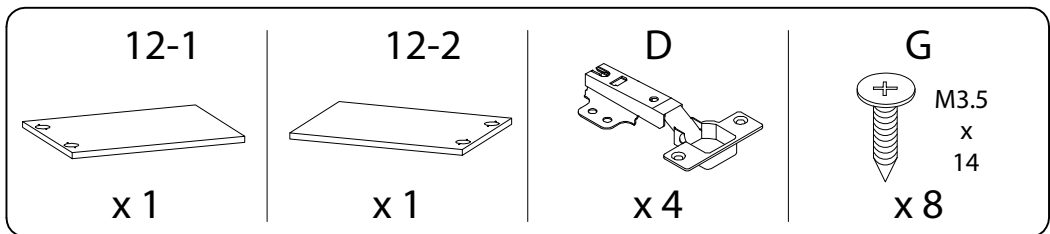
29



30



31



32

