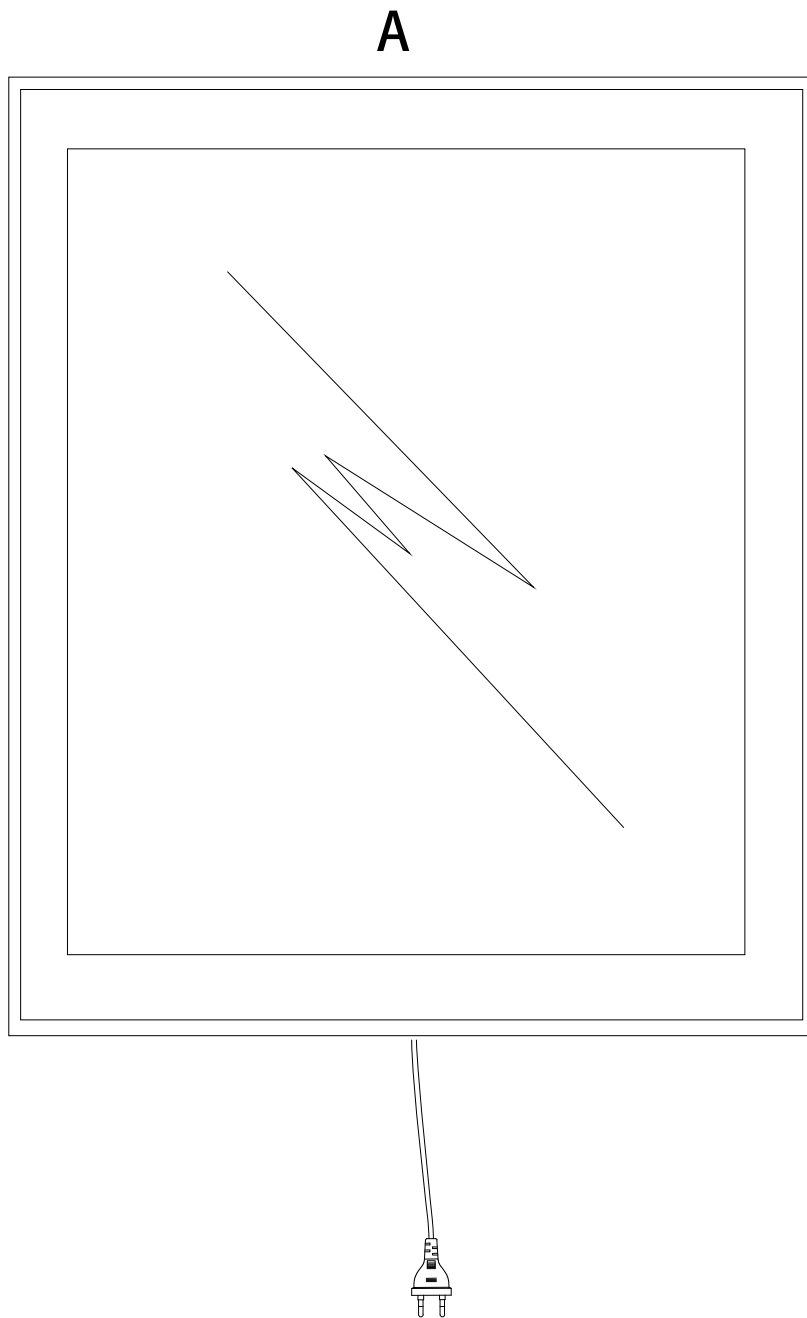
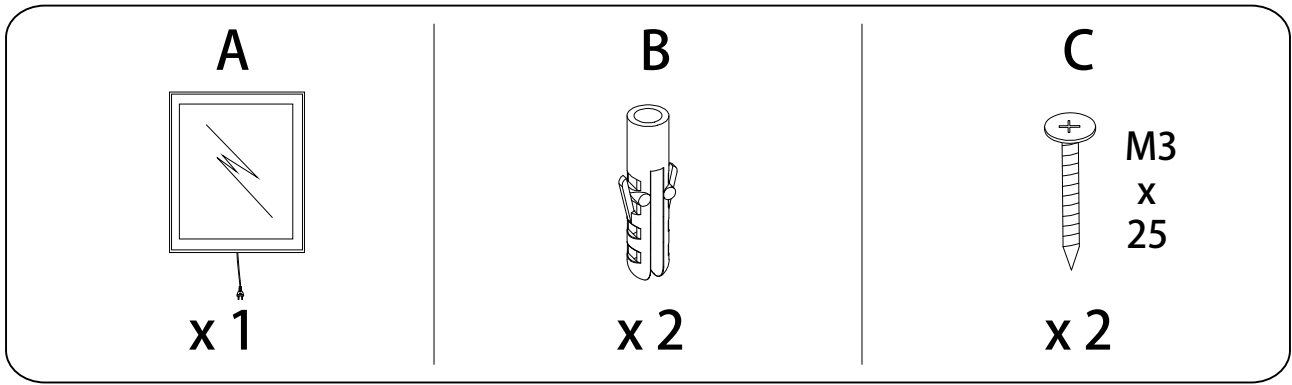


1/5

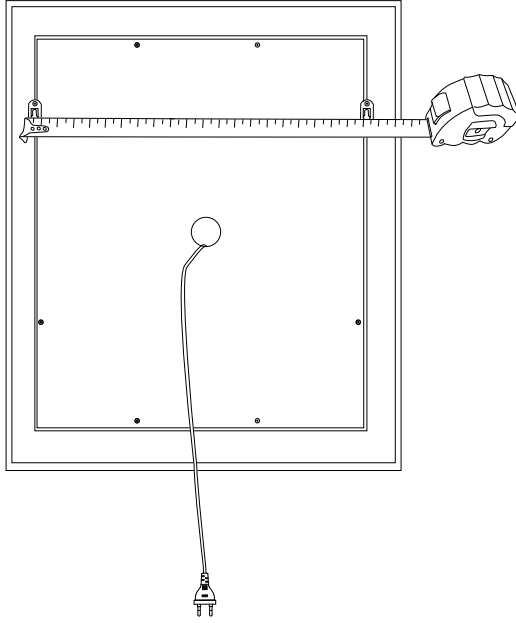
A horizontal box containing two circular icons: a screwdriver and a power drill. To the right of the box is a warning triangle with an exclamation mark. Further right is a clock face showing approximately 1:50. Below the clock is the text "10'".

A horizontal box containing two circular icons: a rectangular block on a surface with a grid pattern, and a rectangular block being cut by a diagonal line. To the right of the box is a warning triangle with an exclamation mark. Further right is a person icon. Below the person icon is the number "1".

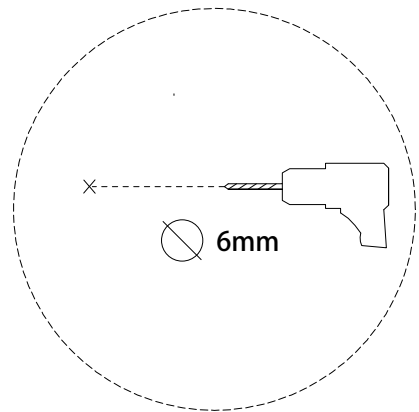
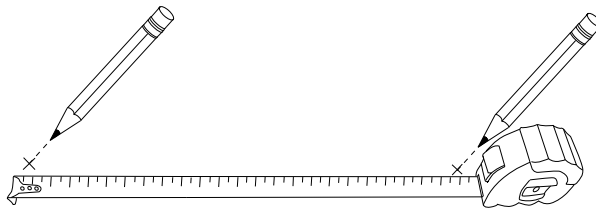
1/5




1




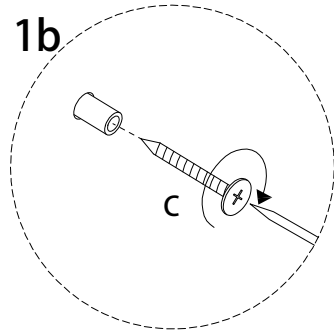
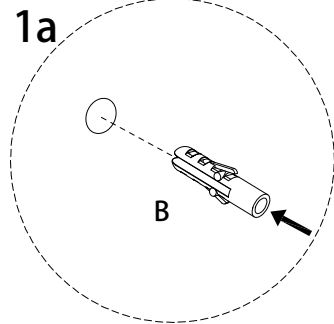
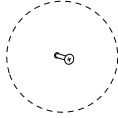
2



3

B

x 2

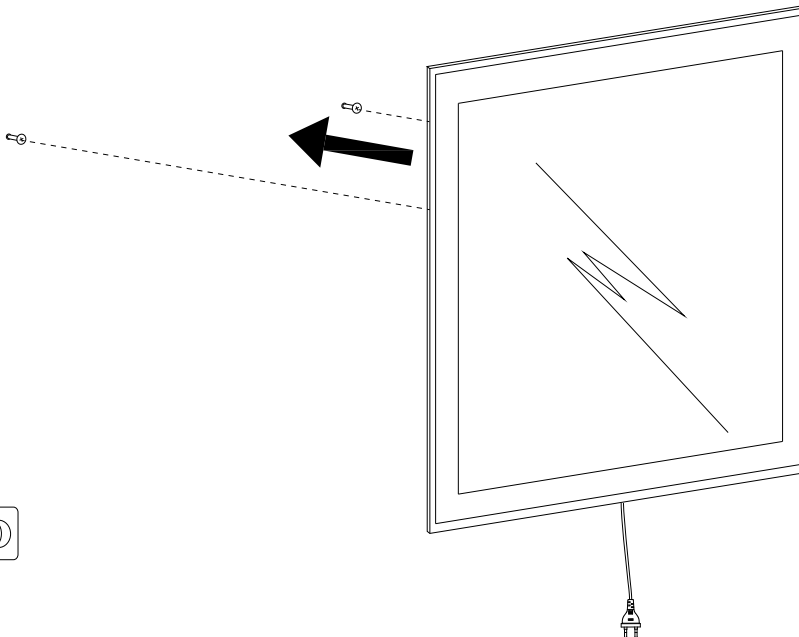
C

M3
x 25
x 2



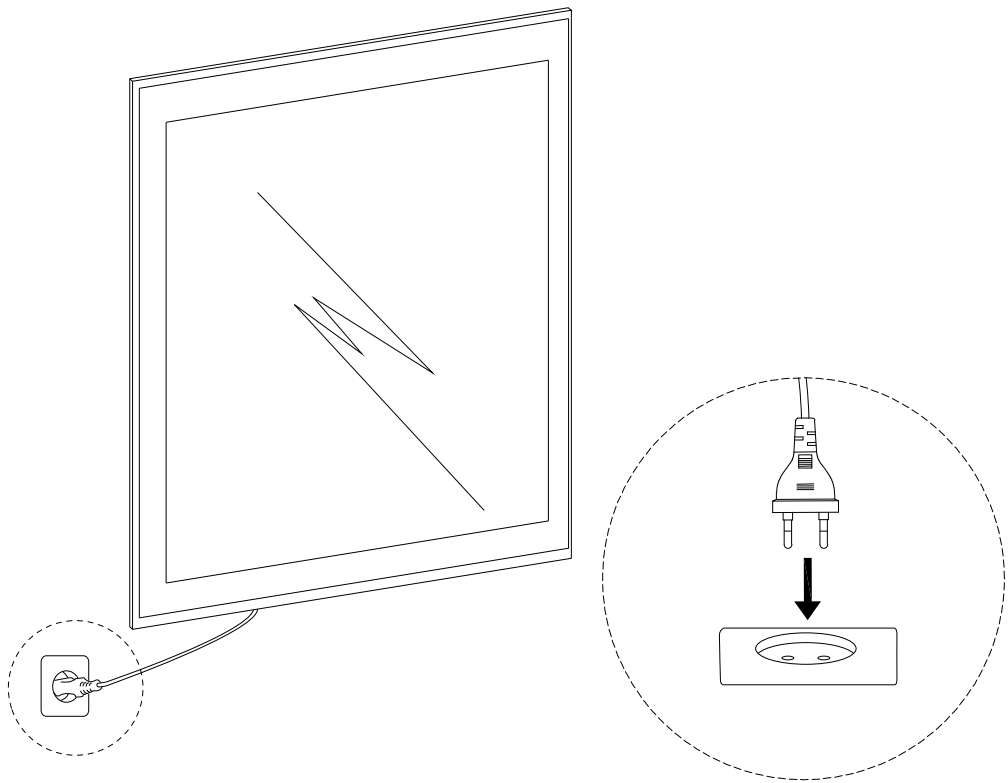
4

A

x 1



5



!

