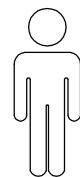
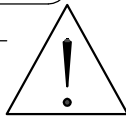
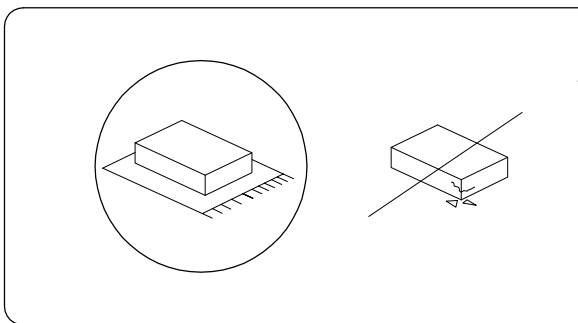
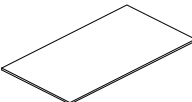
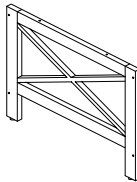
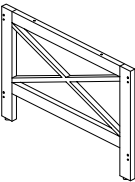
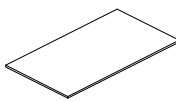
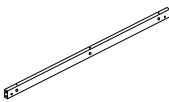


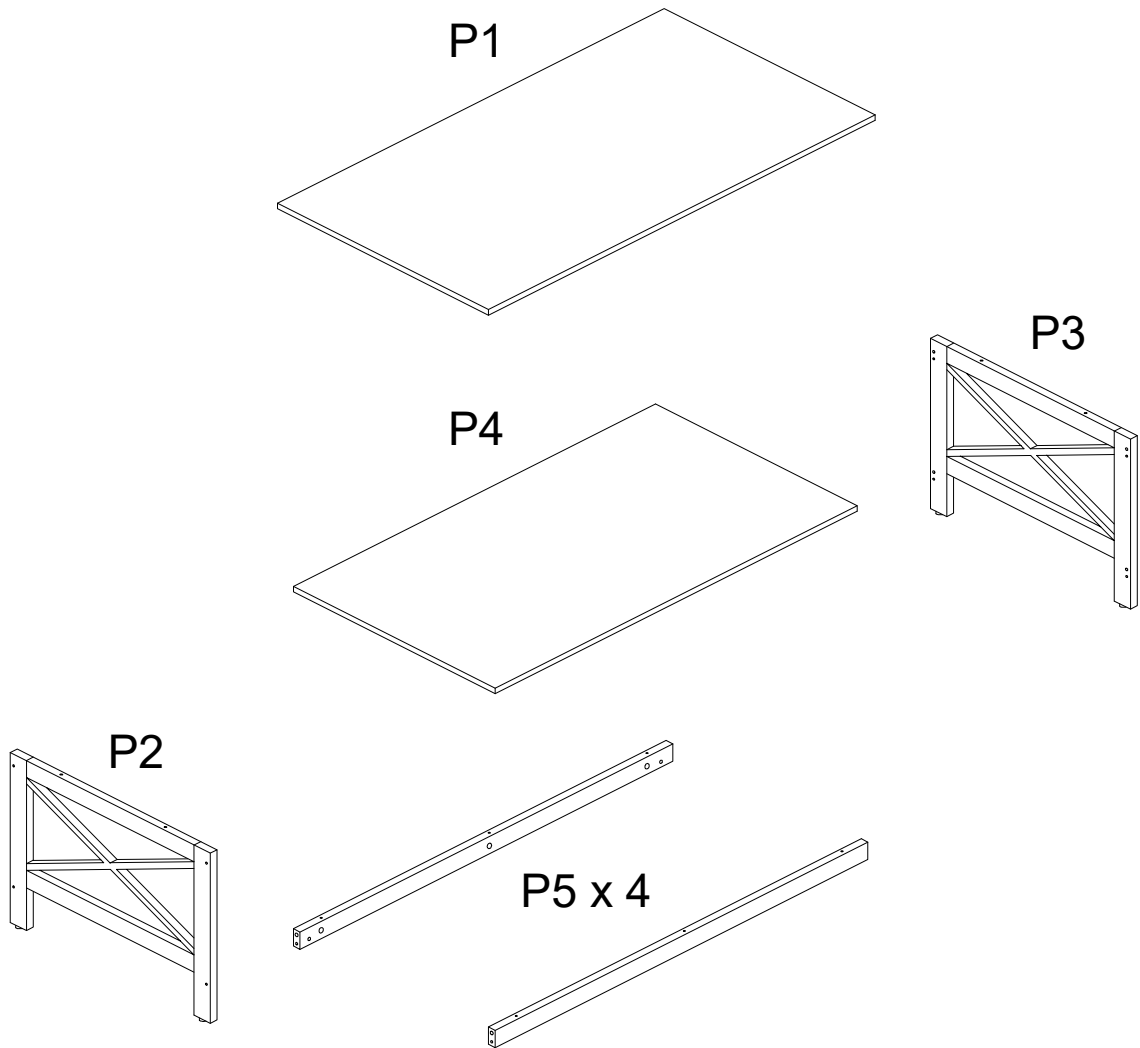
35'

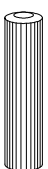
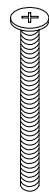
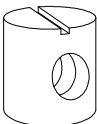

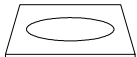
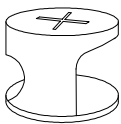


1

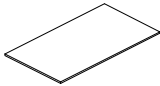
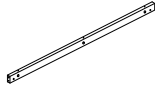


1/6

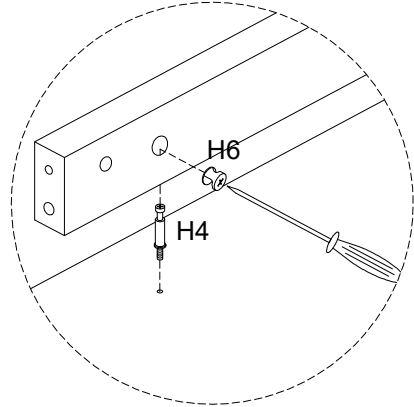
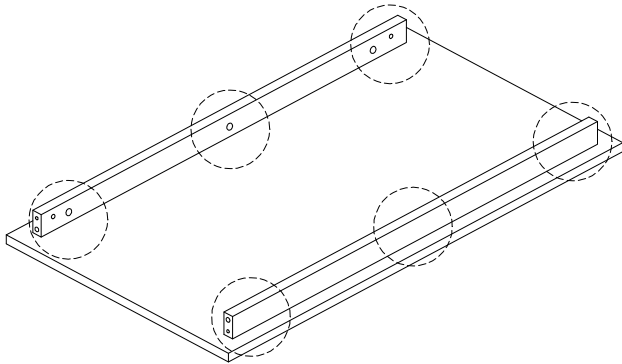
P1	P2	P3	P4	P5
				
x 1	x 1	x 1	x 1	x 4



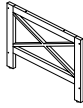
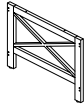

H1	H2	H3	H4	H5	H6
 Ø8 x 30	 M6 x 50				
x 12	x 8	x 8	x 12	x 8	x 12

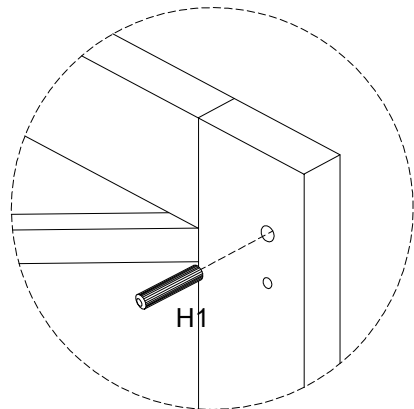
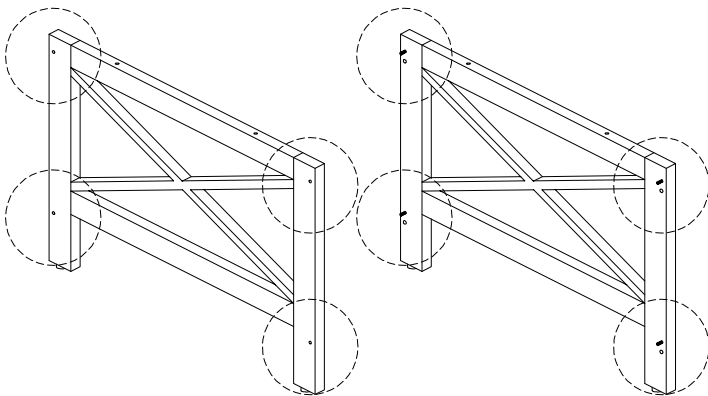
1

<p>P4</p>  <p>x 1</p>	<p>P5</p>  <p>x 2</p>	<p>H4</p>  <p>x 6</p>	<p>H6</p>  <p>x 6</p>
--	--	--	--



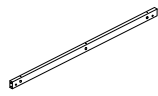
2

<p>P2</p>  <p>x 1</p>	<p>P3</p>  <p>x 1</p>	<p>H1</p>  <p>Ø8 x 30 x 8</p>
--	--	--



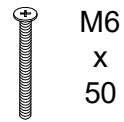
3

P5



x 2

H2

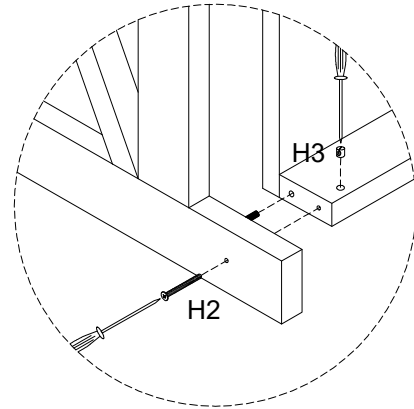
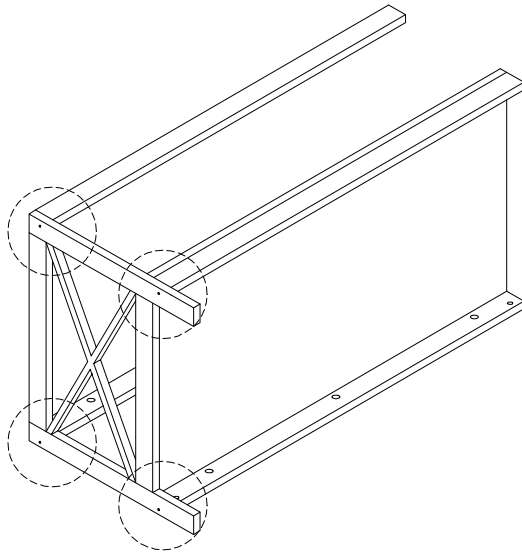


x 4

H3

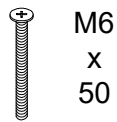


x 4



4

H2

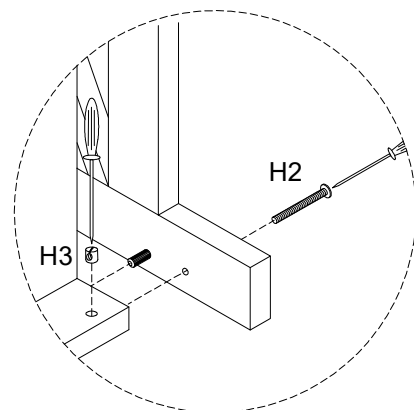
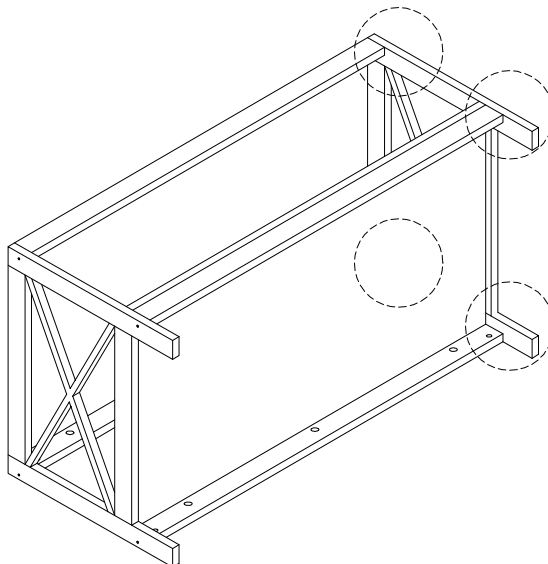


x 4

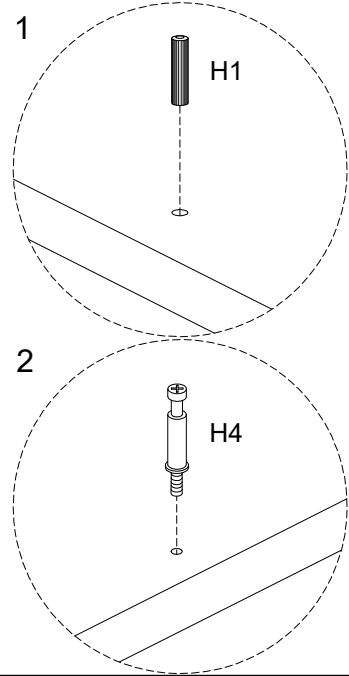
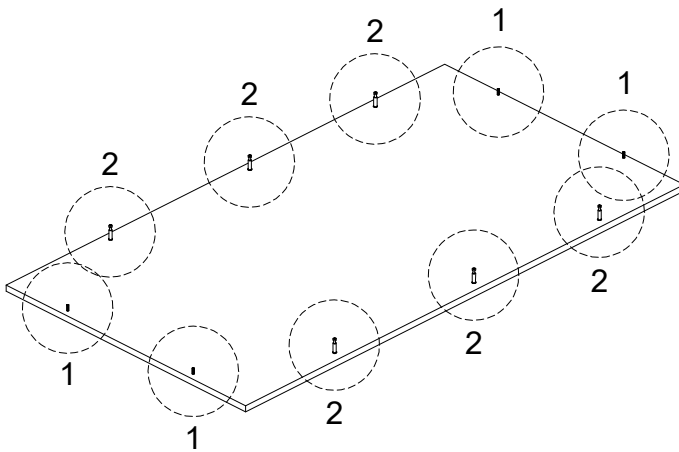
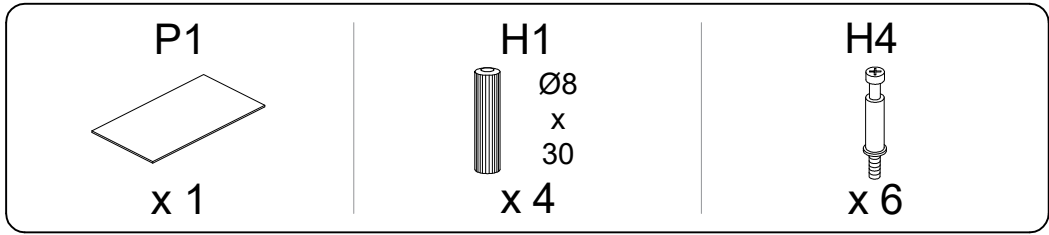
H3



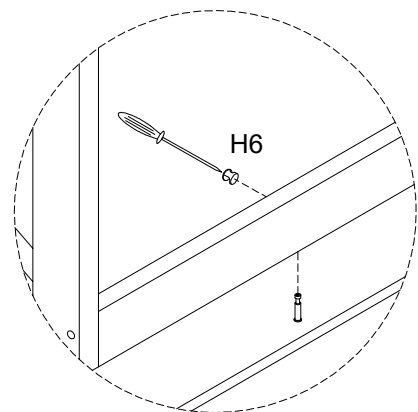
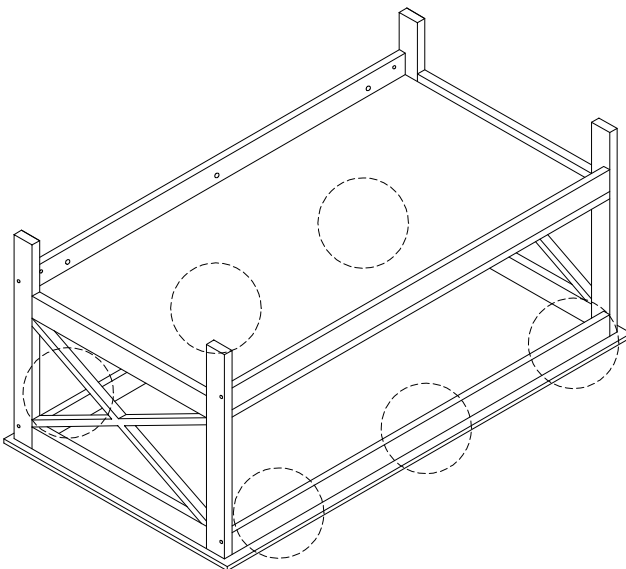
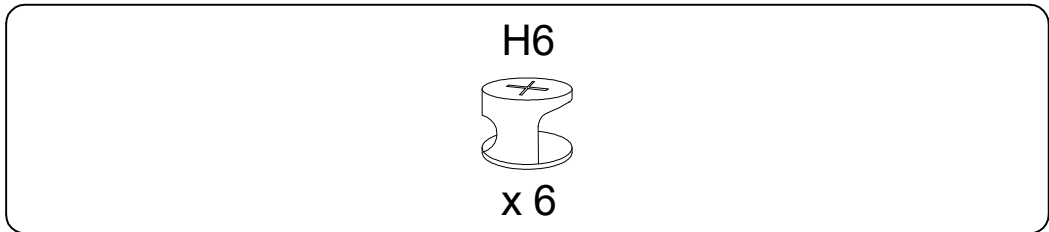
x 4



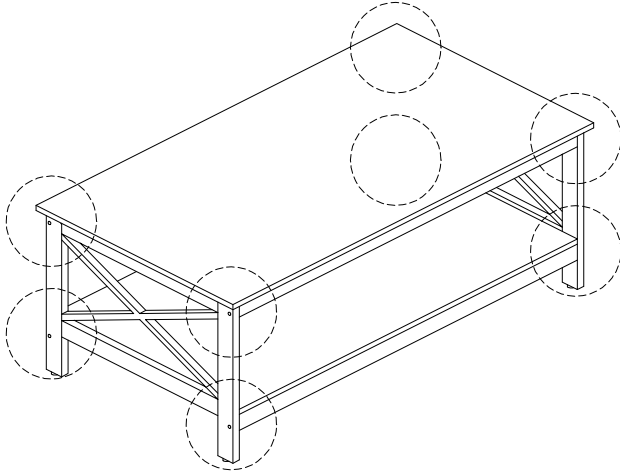
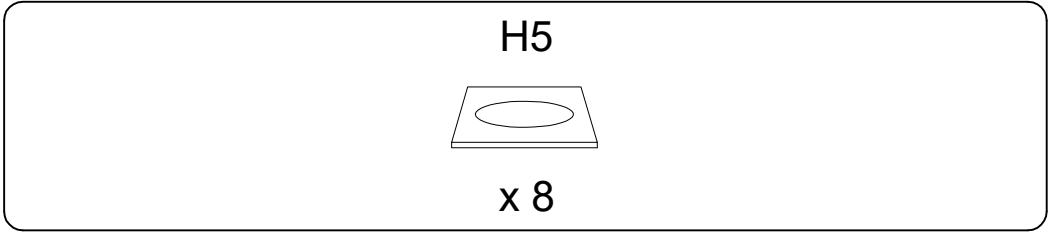
5



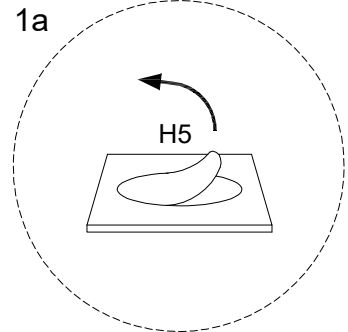
6



7



1a



1b

