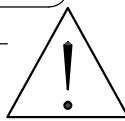
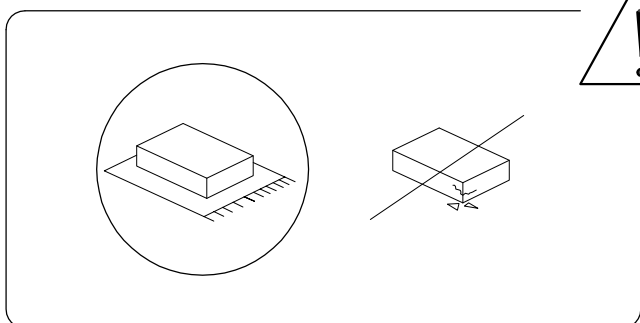
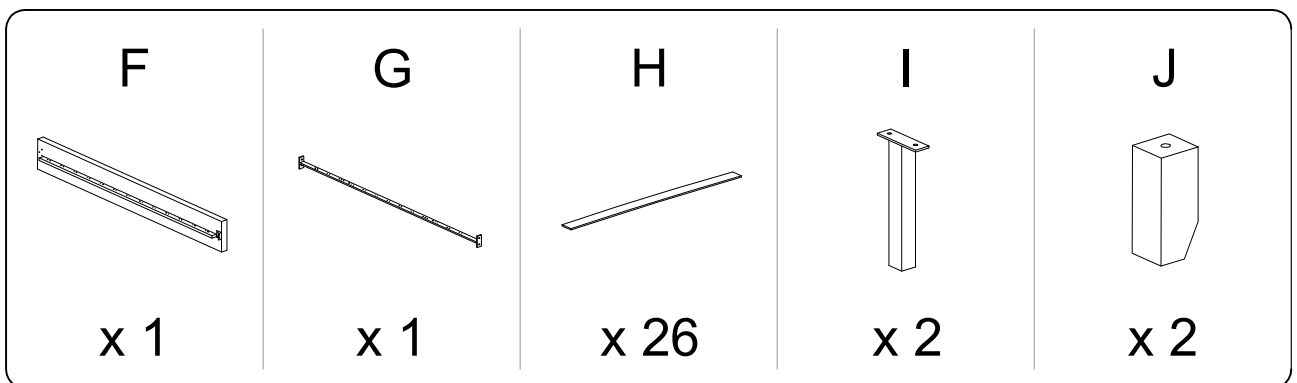
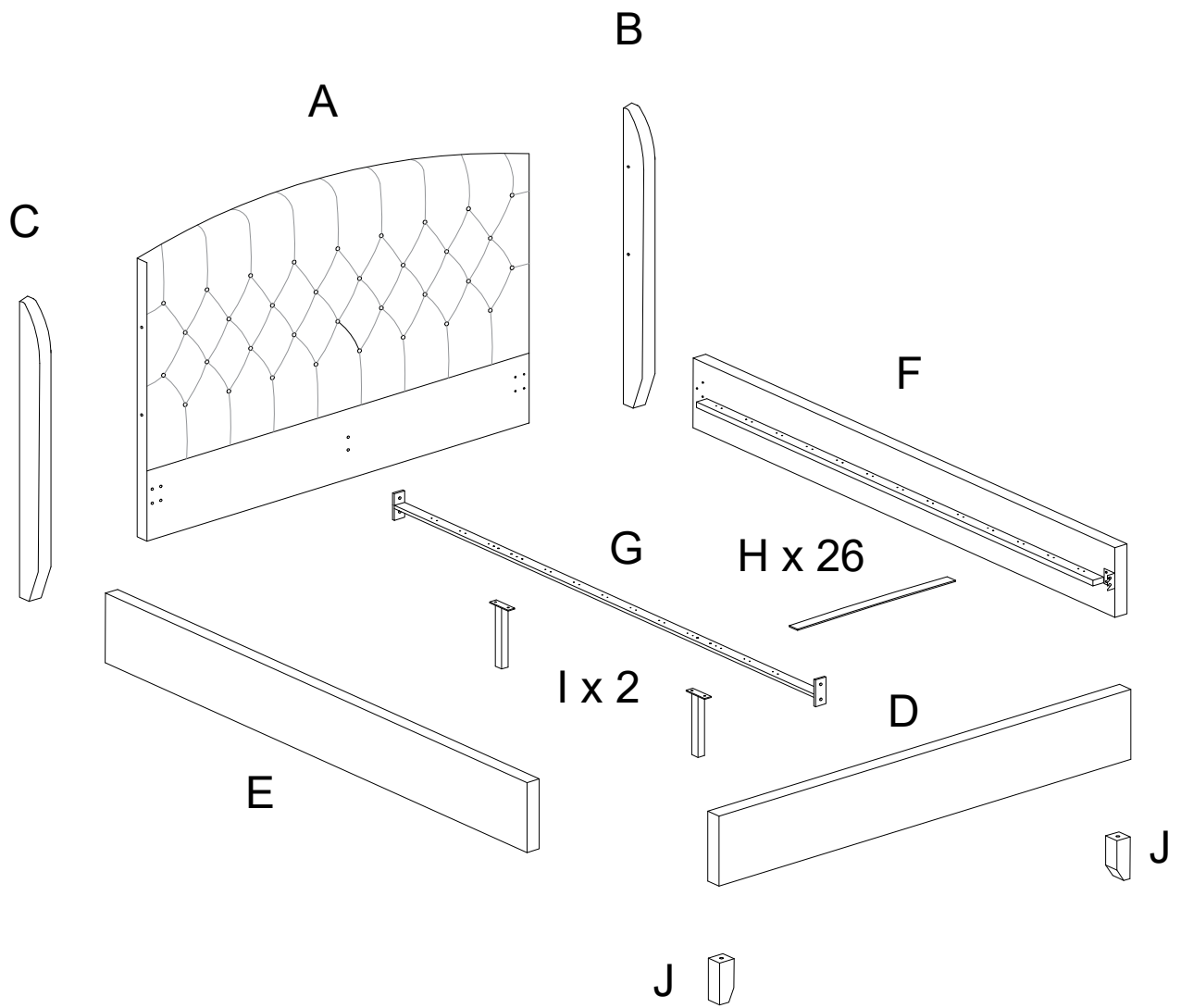
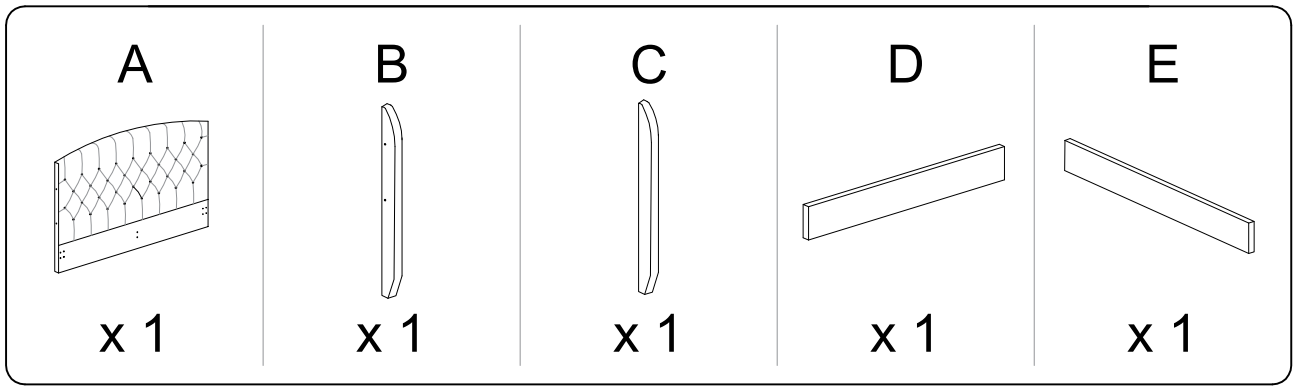


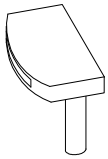
45'



2

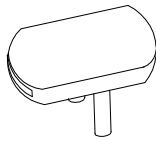


K



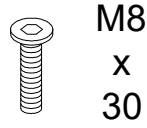
x 26

L



x 13

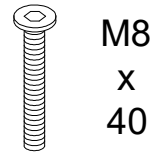
M



M8
x
30

x 18

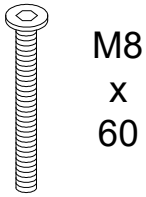
N



M8
x
40

x 8

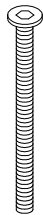
O



M8
x
60

x 4

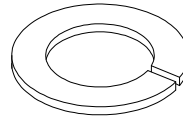
P



M8
x
100

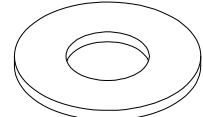
x 2

Q



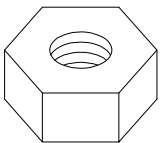
x 30

R



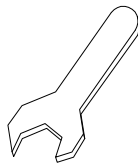
x 30

S



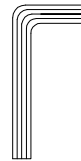
x 4

T



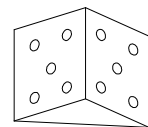
x 1

U



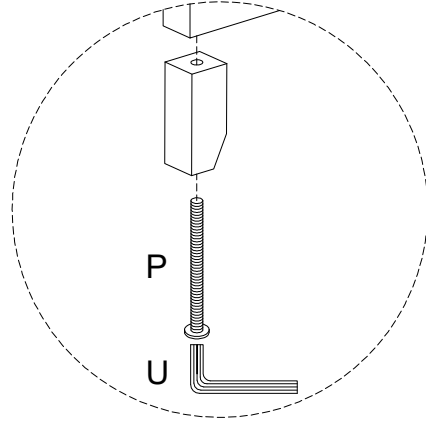
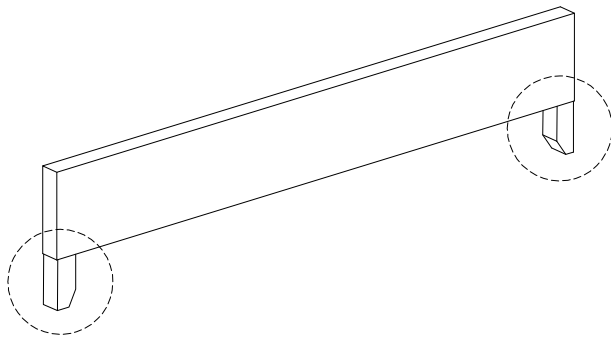
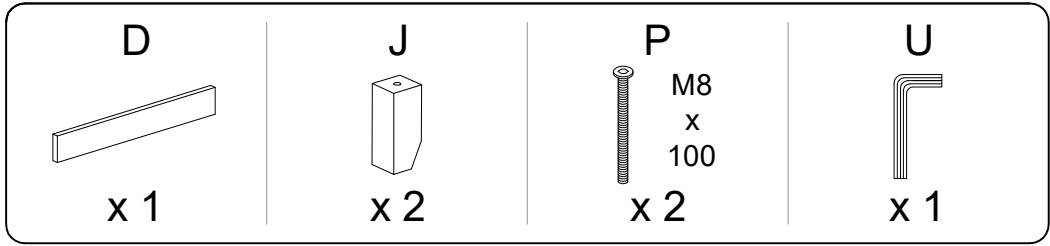
x 1

W

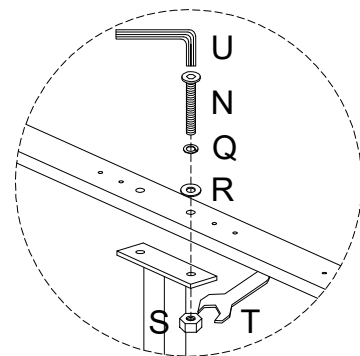
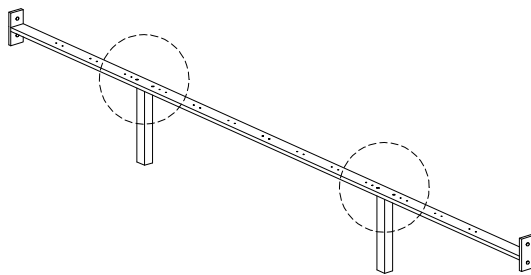
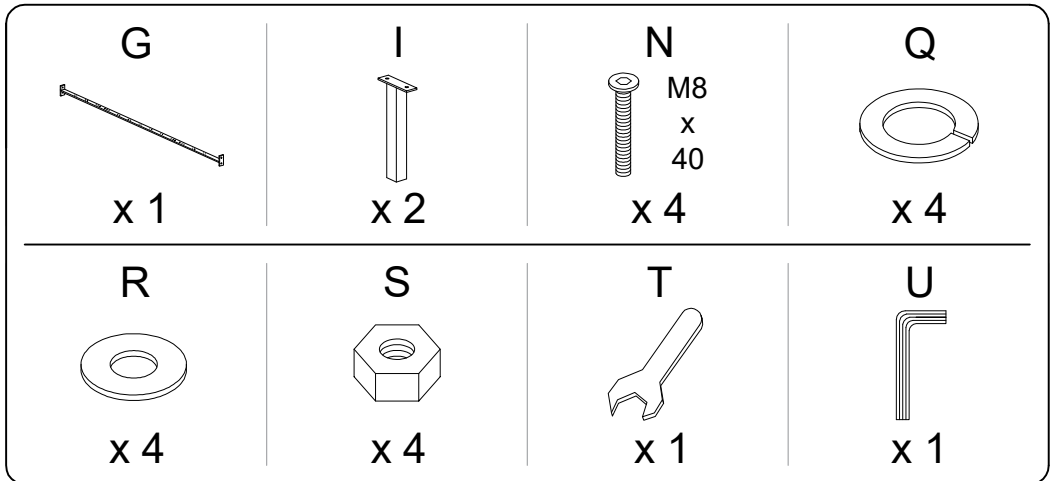


x 2

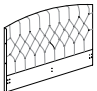


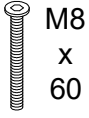

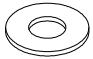

1

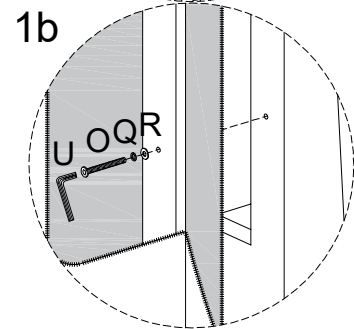
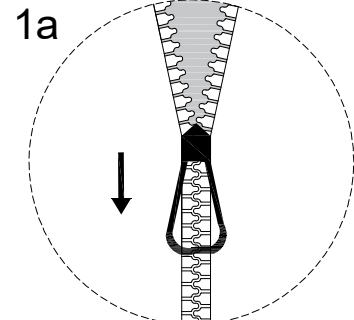
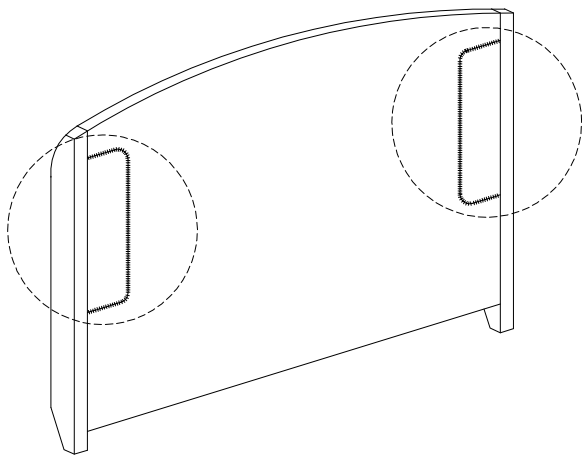


2







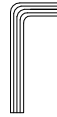
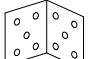


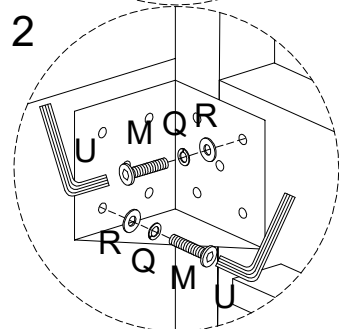
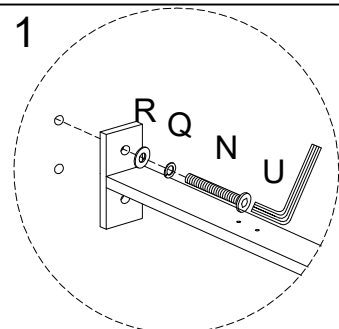
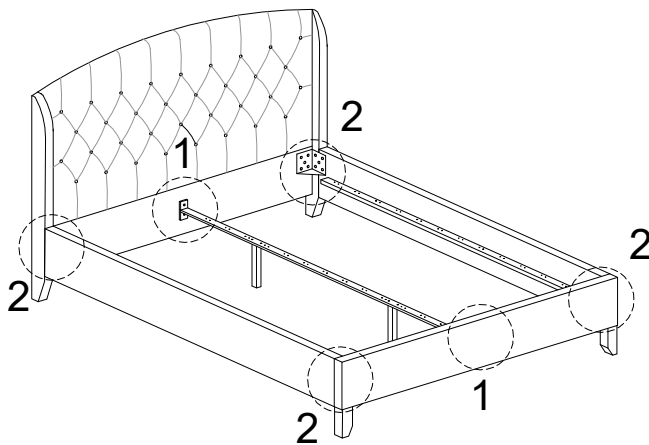
3

A  x 1	B  x 1	C  x 1	O  x 4	Q  x 4	R  x 4	U  x 1
--	--	--	--	---	--	--

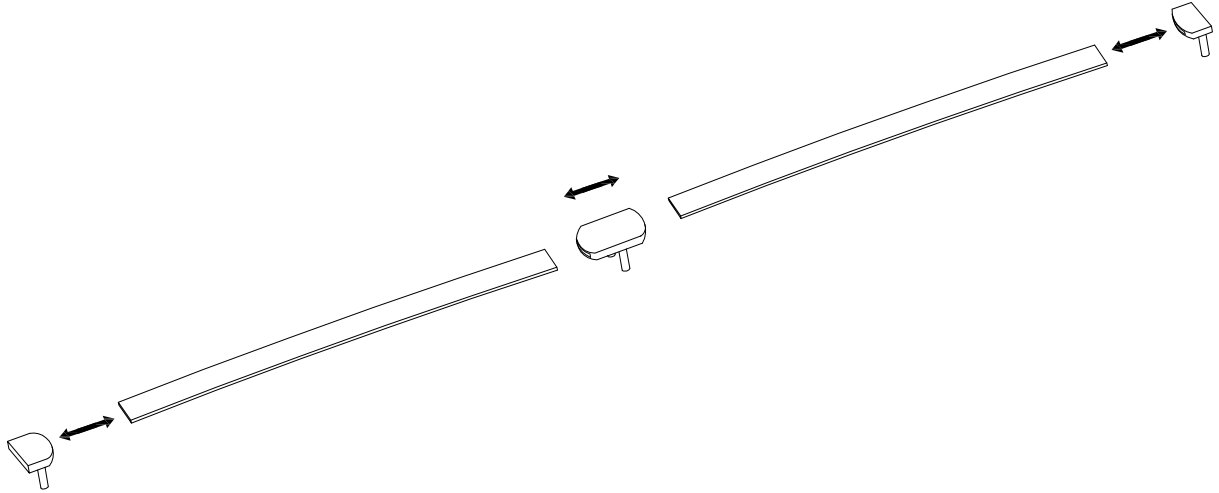
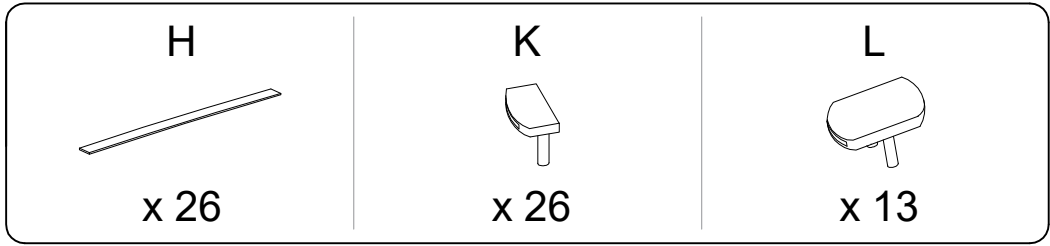


4

E  x 1	F  x 1	M  x 18	N  x 4	Q  x 22	R  x 22	U  x 1	W  x 2
--	--	---	--	---	---	--	--



5



6

