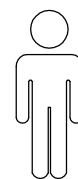
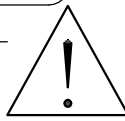
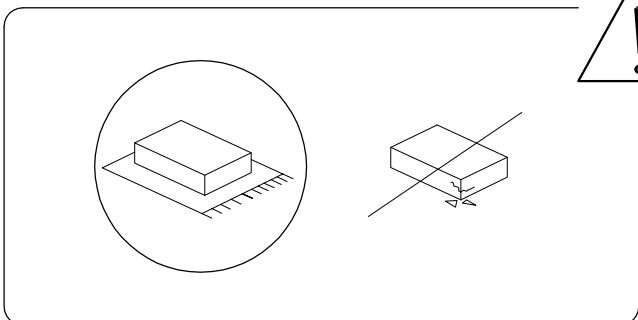
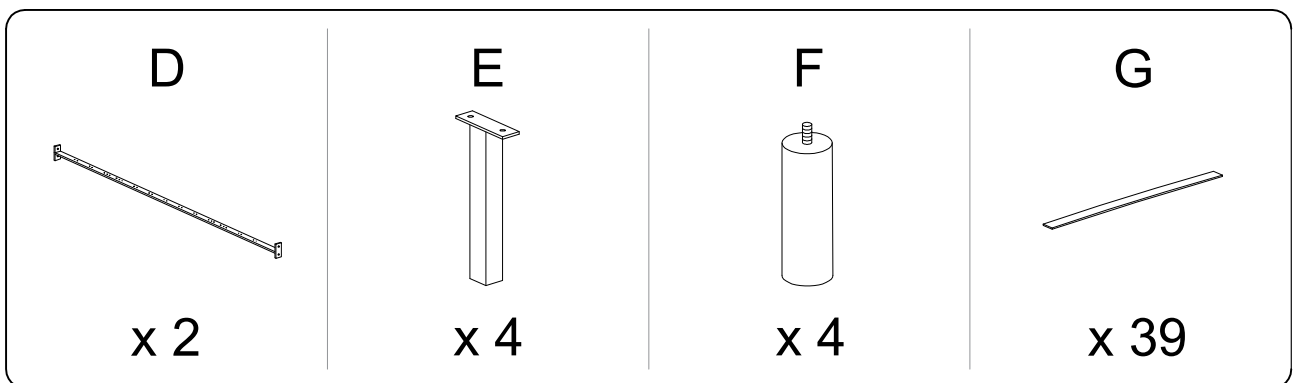
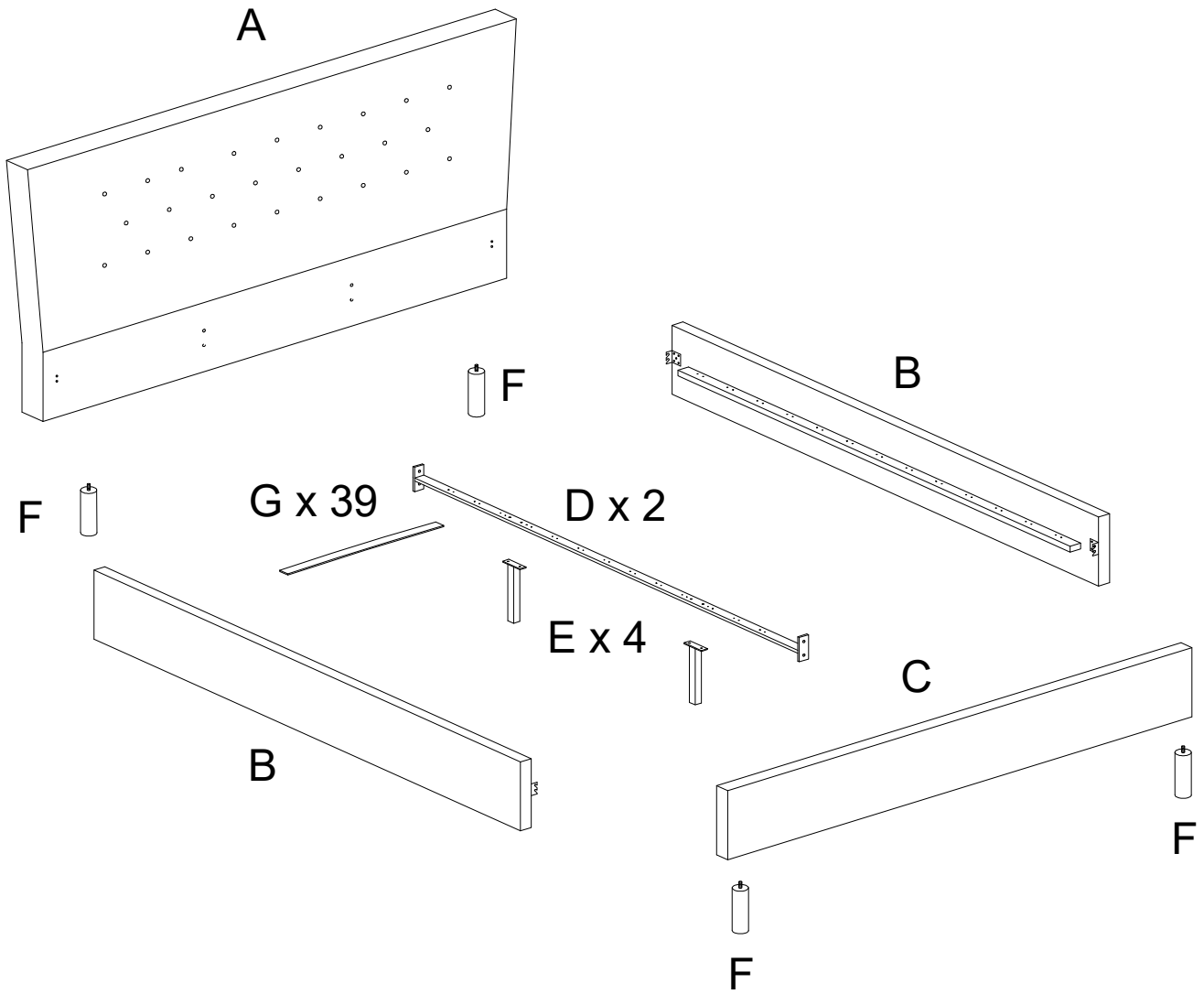
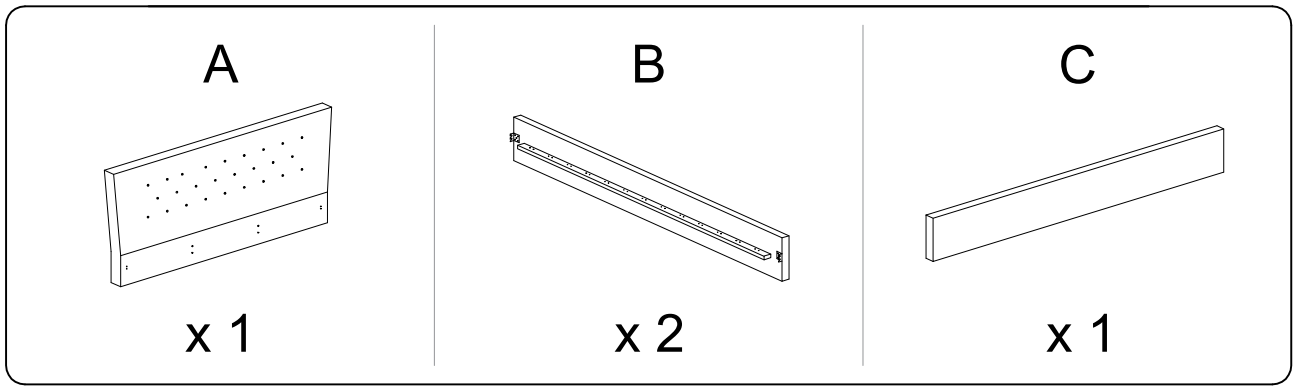


60'

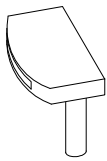


2

1/6

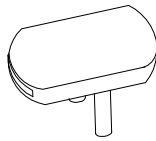


H



x 26

I



x 26

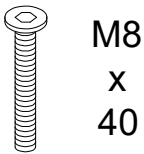
J



M8
x
30

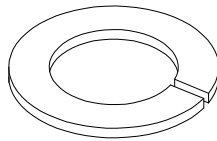
x 8

K



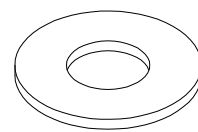
x 16

L



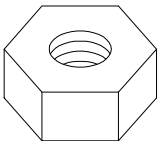
x 24

M



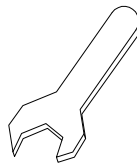
x 24

N



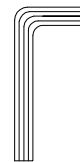
x 8

O



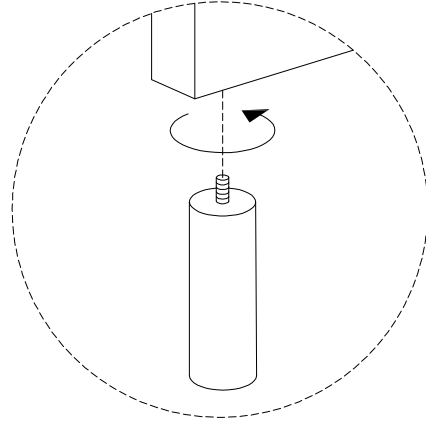
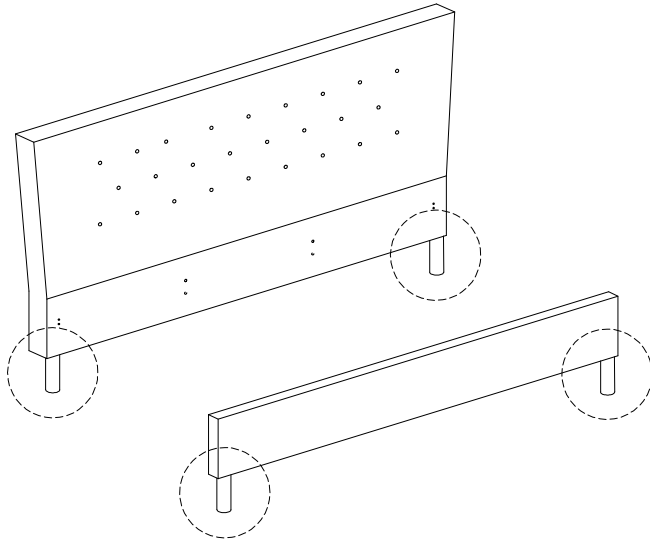
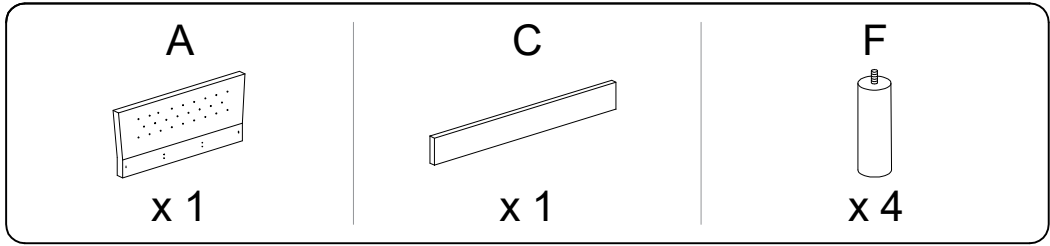
x 1

P

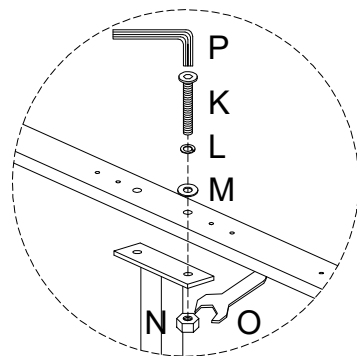
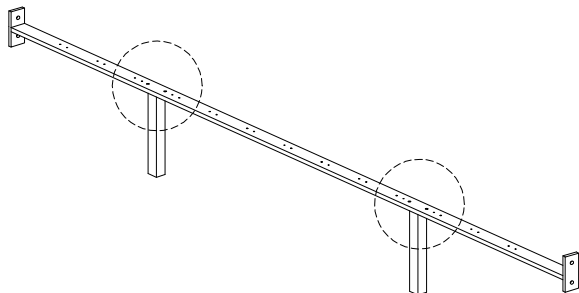
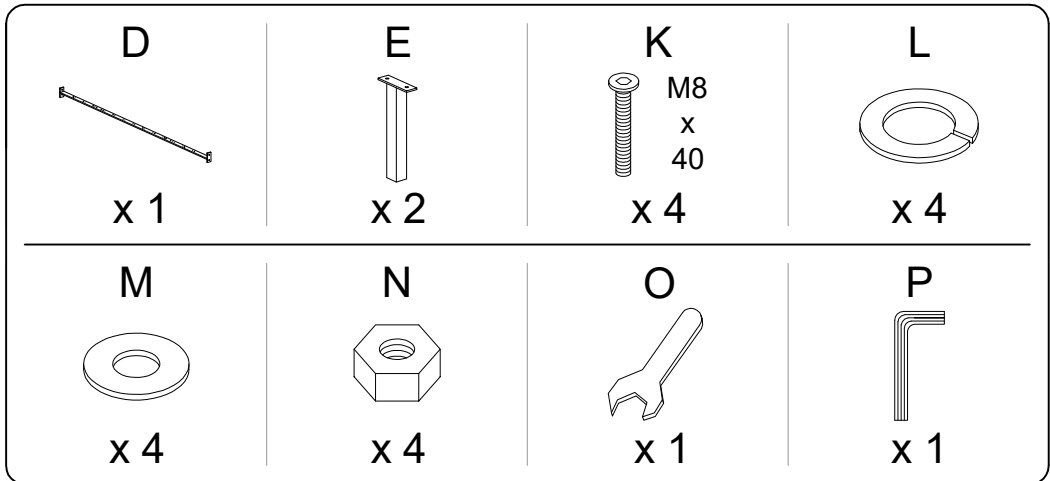


x 1

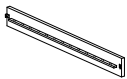
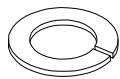
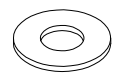
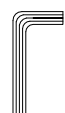
1

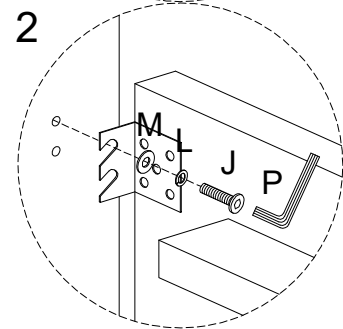
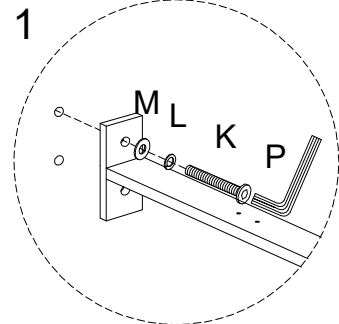
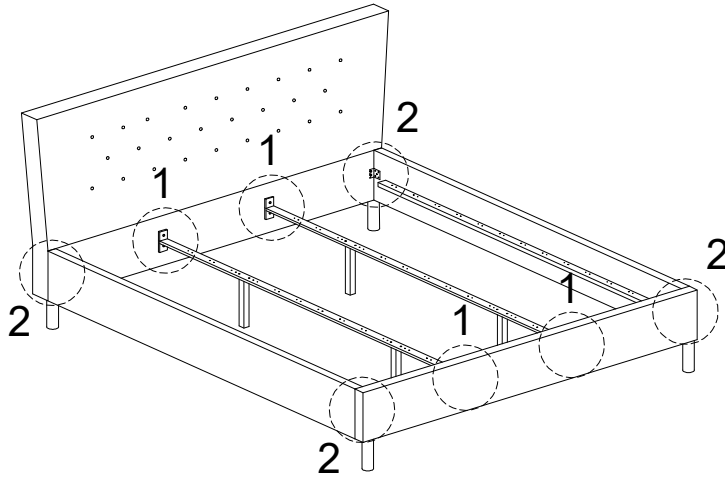


2 x 2






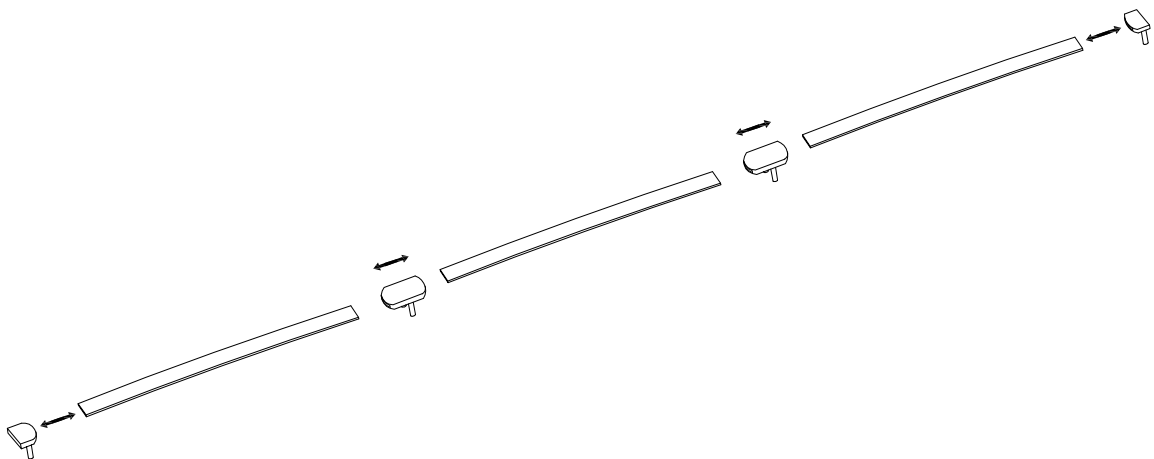
3

B  x 2	J M8 x 30 x 8	K M8 x 40 x 8	L  x 16	M  x 16	P  x 1
--	----------------------------------	----------------------------------	--	---	--



4

G  x 39	H  x 26	I  x 13
---	---	---



5

