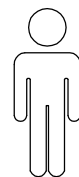
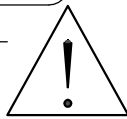
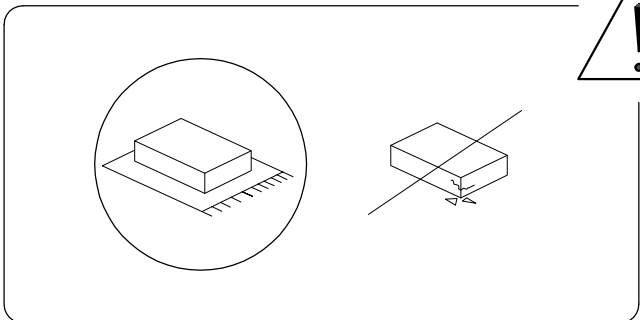

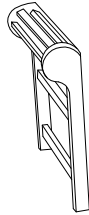
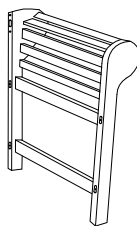

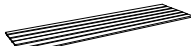
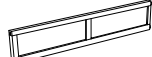
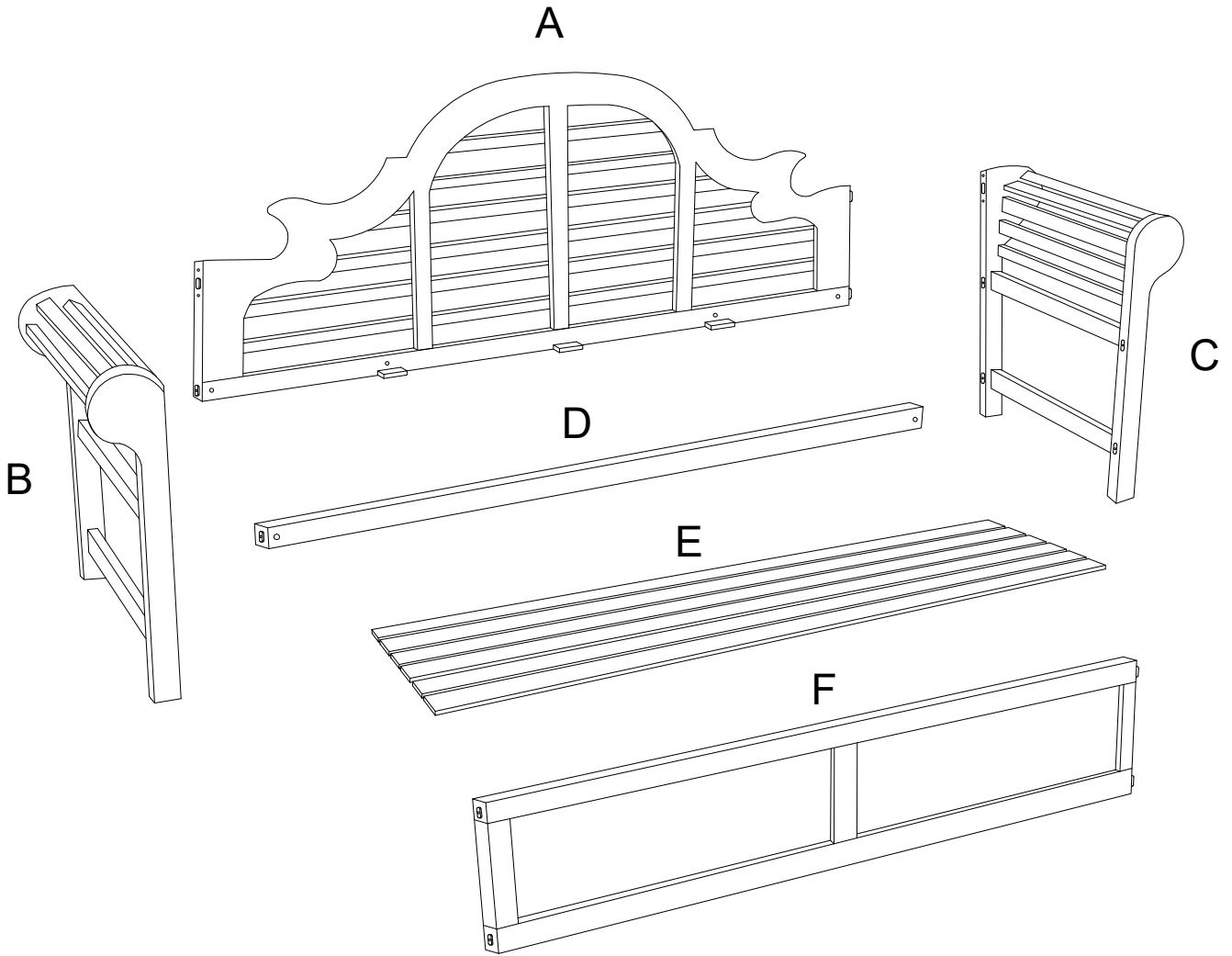



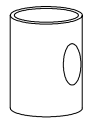

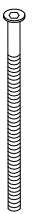
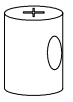
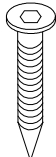
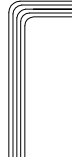
60'





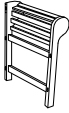


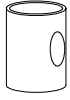


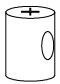

2

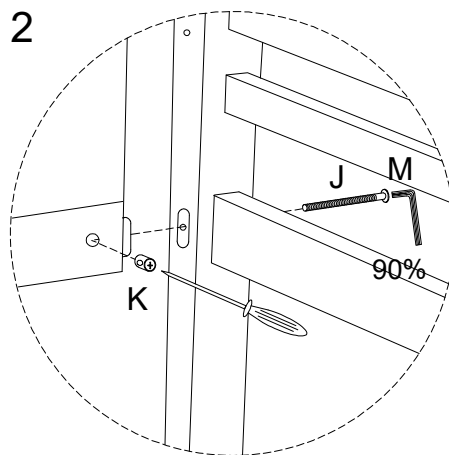
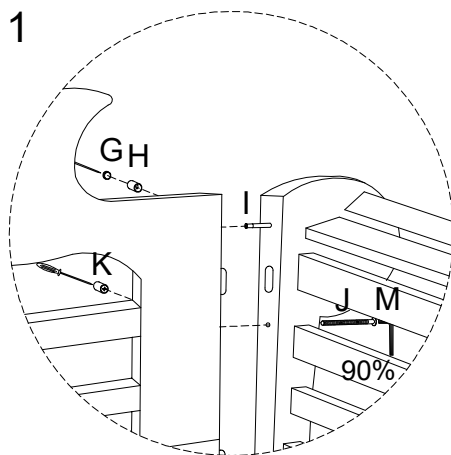
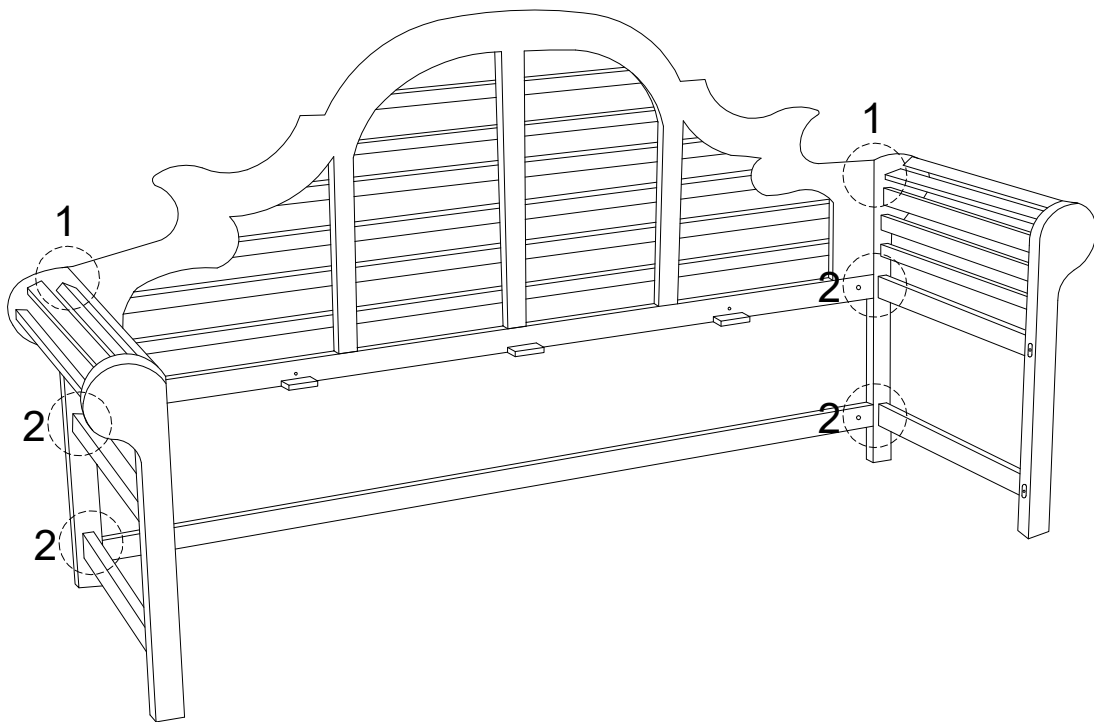
A	B	C	D	E	F
					
x 1	x 1	x 1	x 1	x 1	x 1



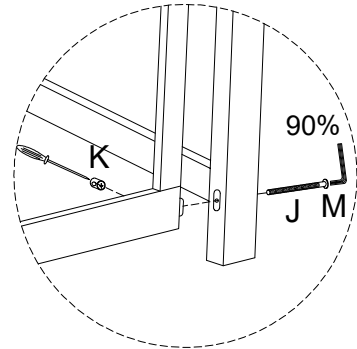
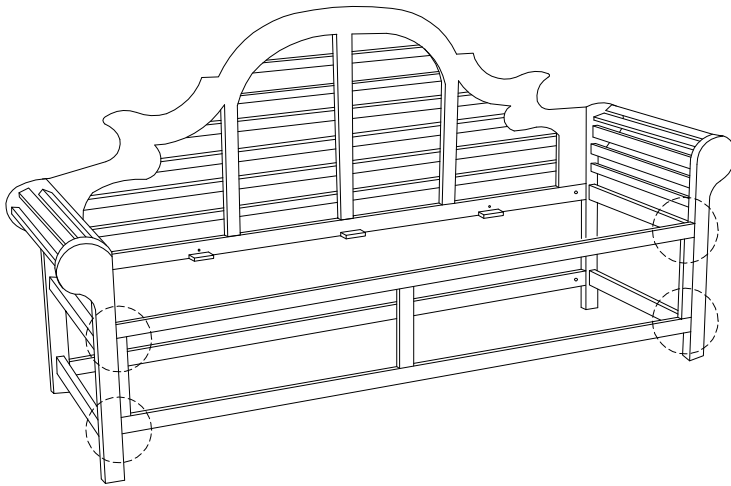
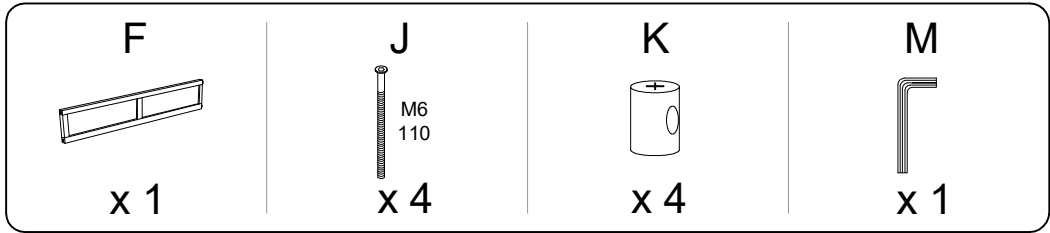
G	H	I	J	K	L	M
			 M6 110		 M6 40	
x 2	x 2	x 2	x 10	x 10	x 4	x 1

1

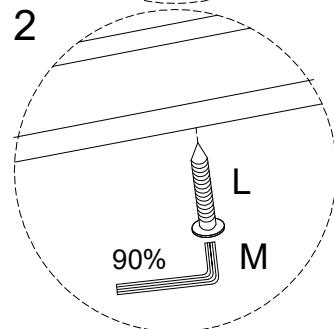
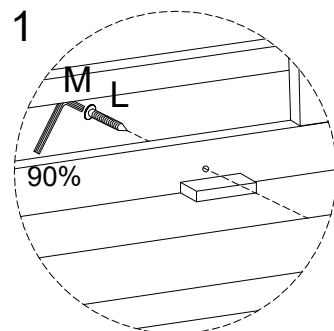
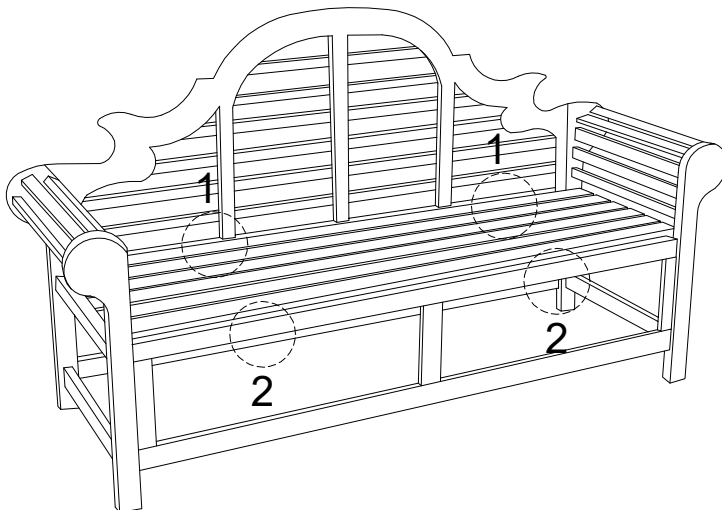
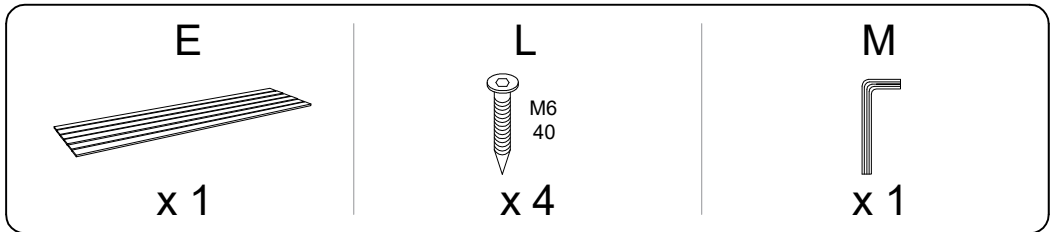
A  x 1	B  x 1	C  x 1	D  x 1	G  x 2
H  x 2	I  x 2	J  x 6	K  x 6	M  x 1



2



3



4

