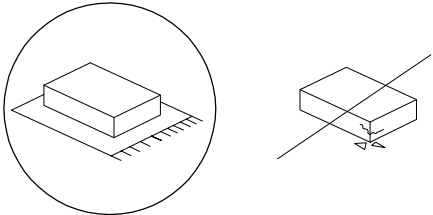

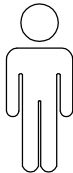
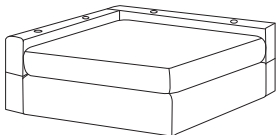
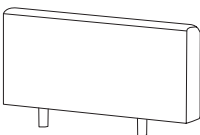
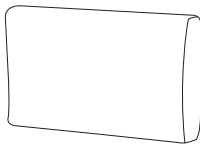
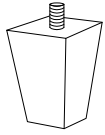
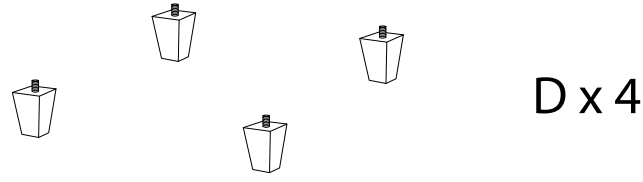
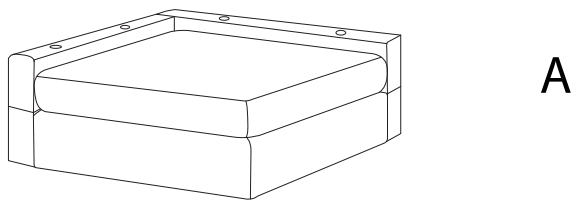
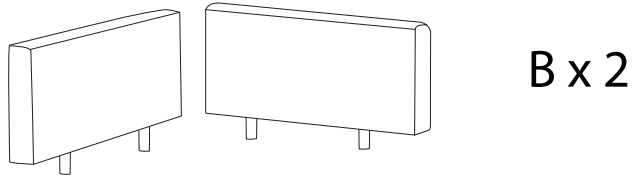
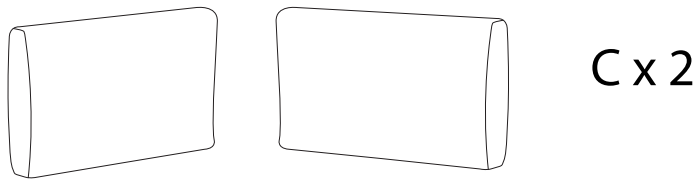
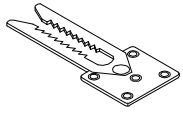
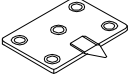

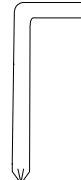
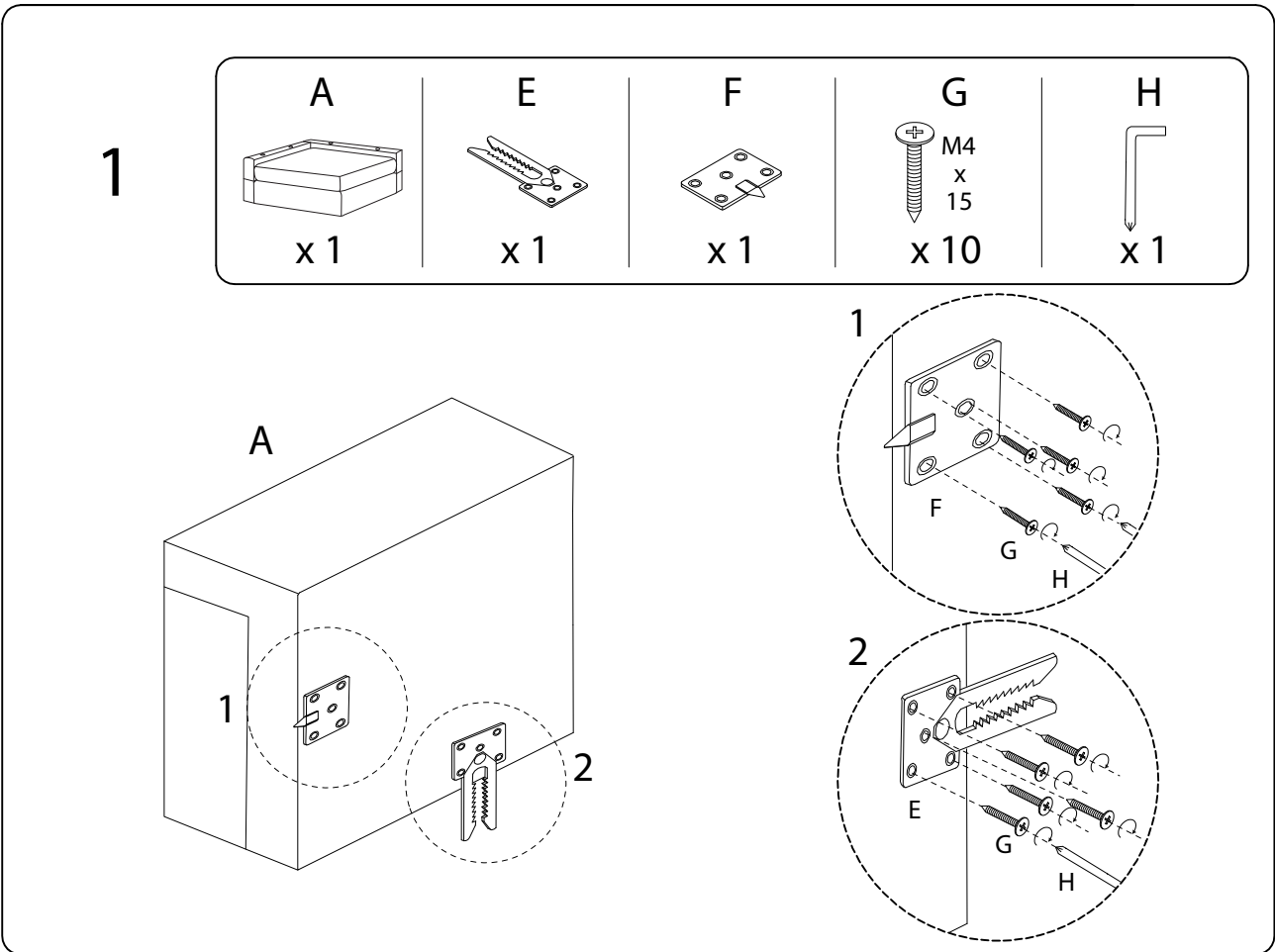
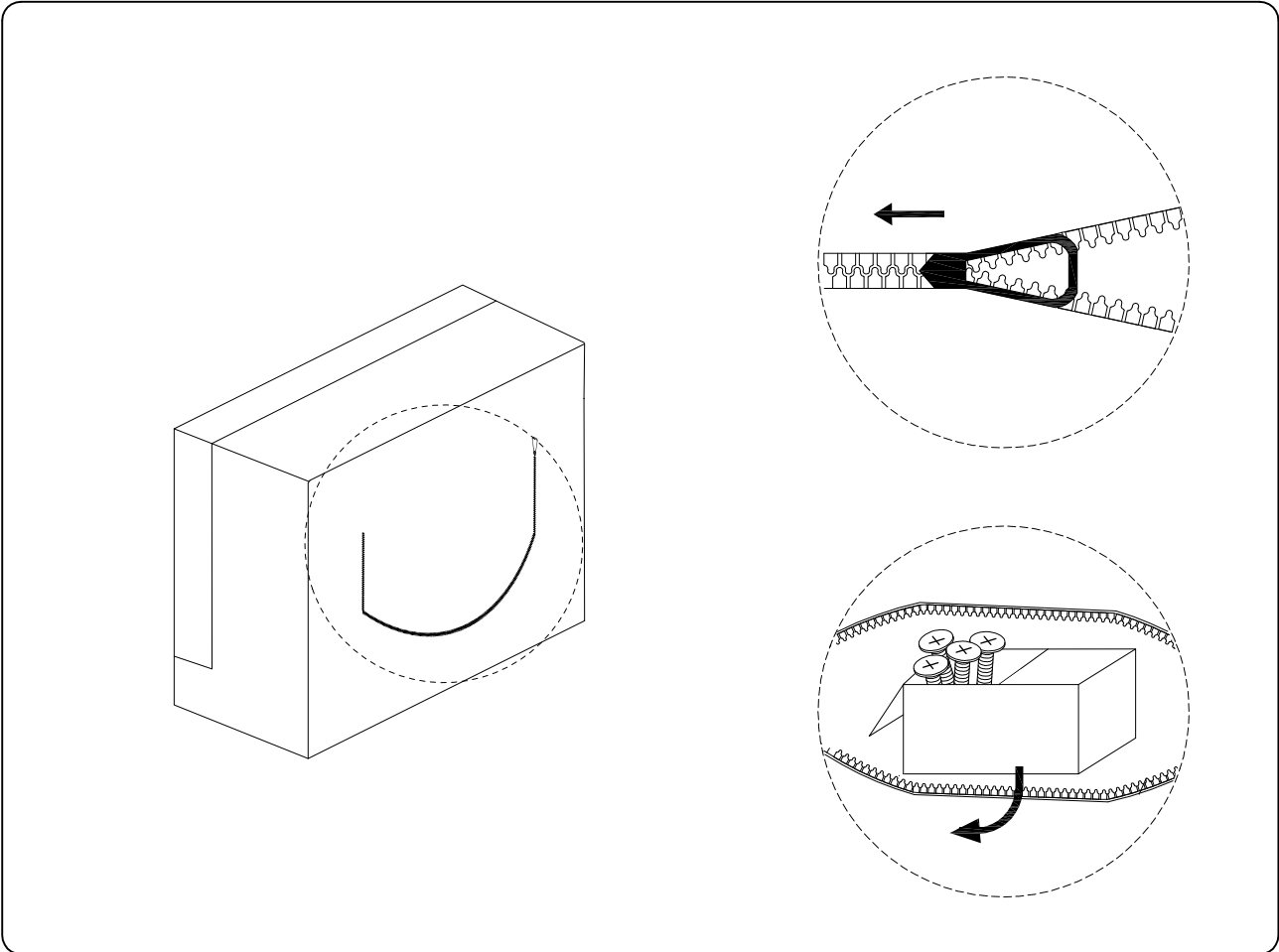

		5'
		
		1

A	B	C	D
			
x 1	x 2	x 2	x 4

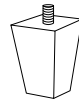


E	F	G	H
			
x 1	x 1	x 10	x 1

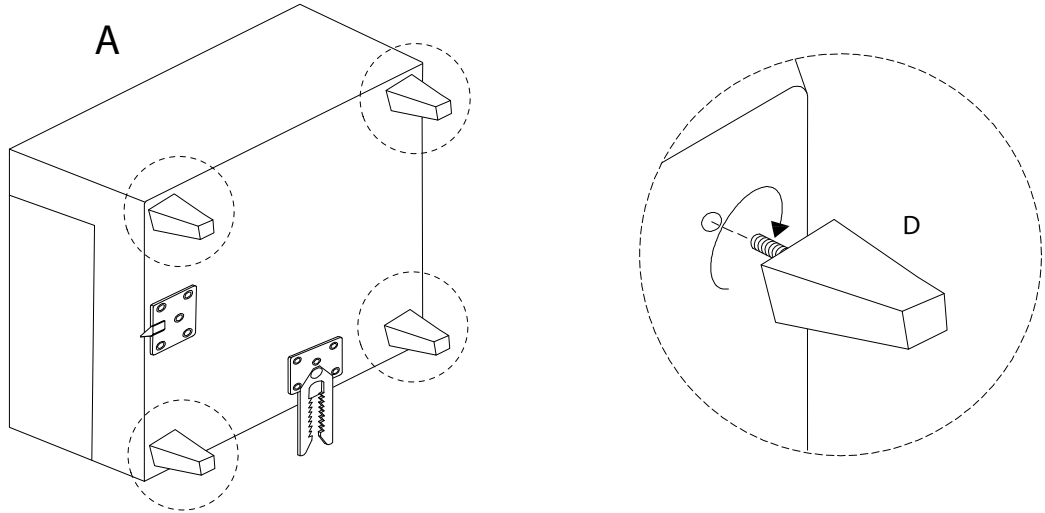


2

D

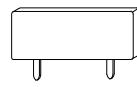


x 4

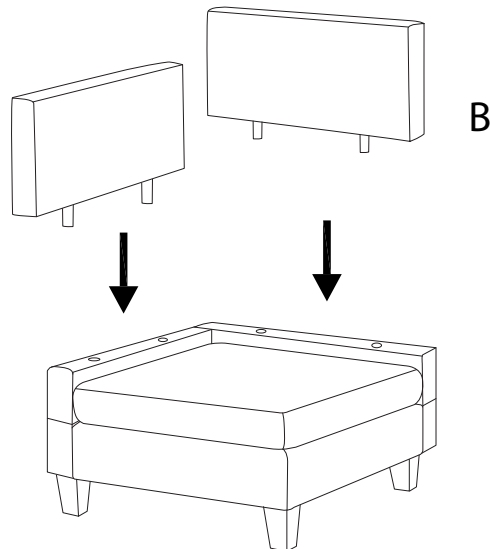


3

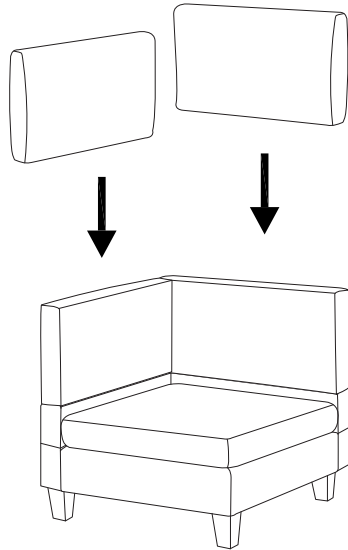
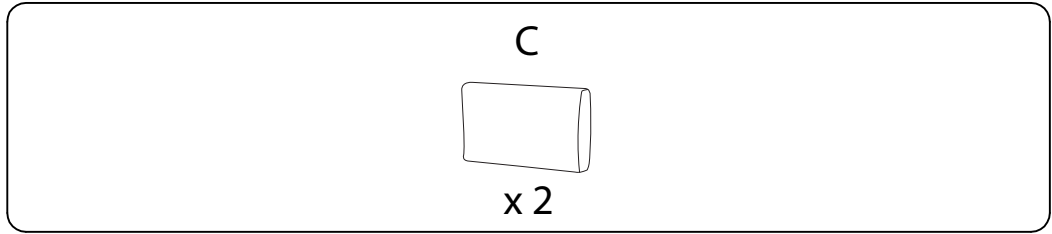
B



x 2



4



!

