
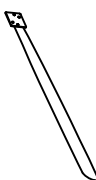



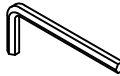


# ASSEMBLY INSTRUCTION



1x1 	2x2 	3x2 	
Ax20 	Bx20 	Cx1 	
8x20	8x18	5#	

