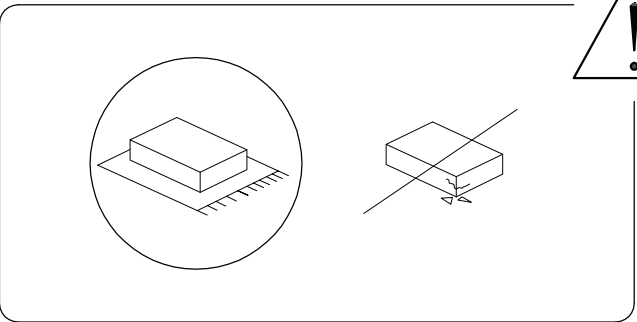
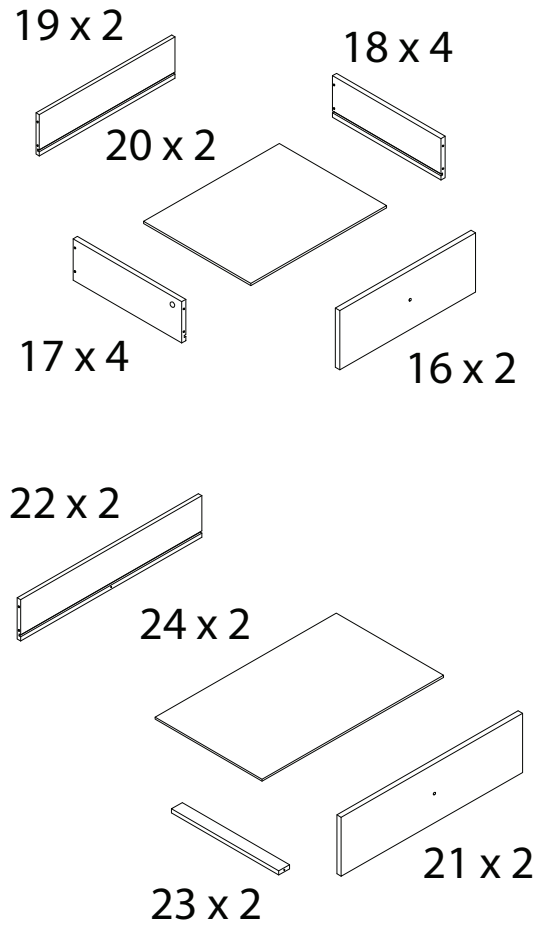
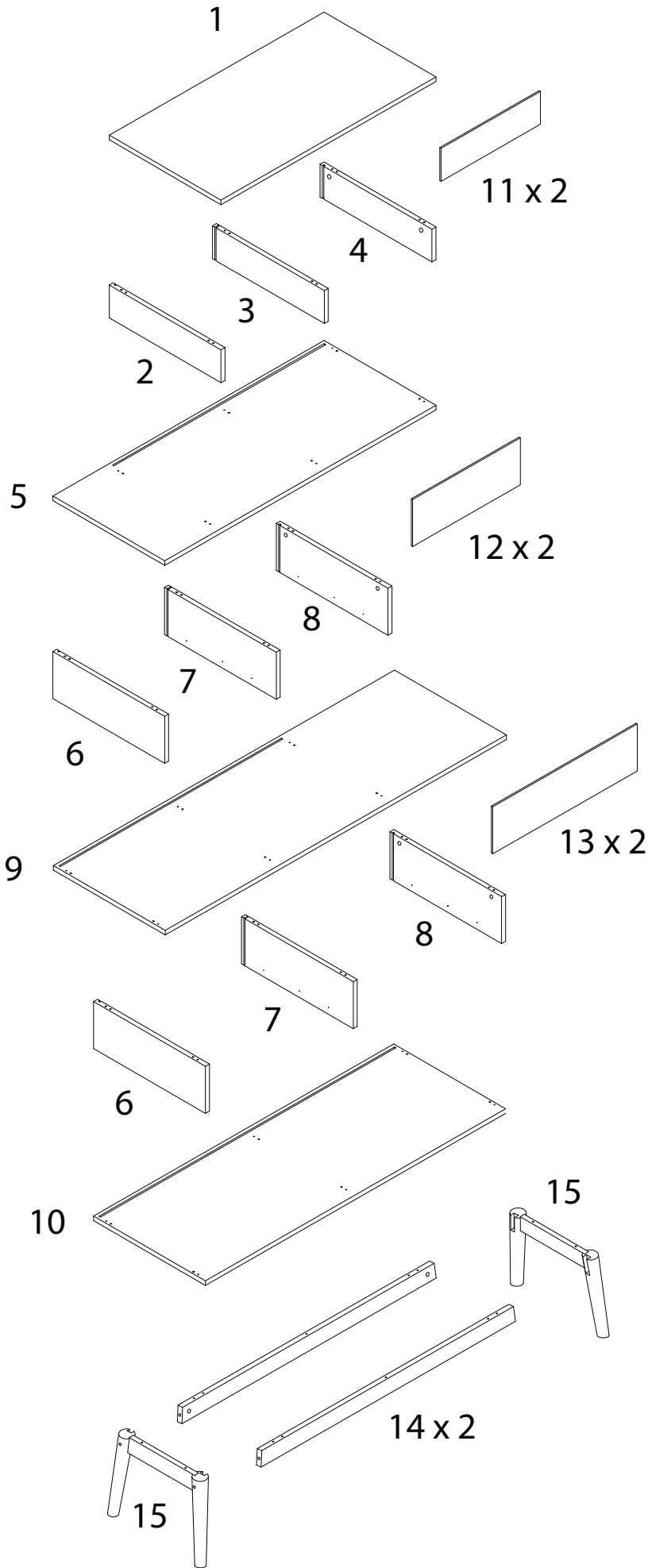
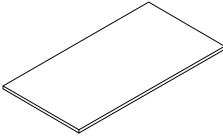
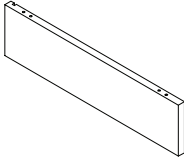
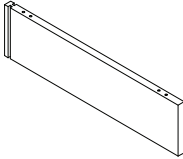
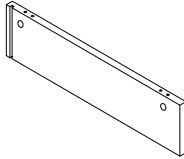
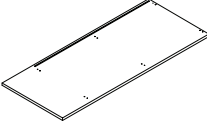
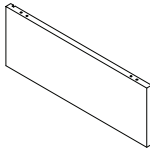
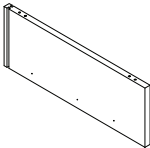
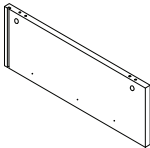
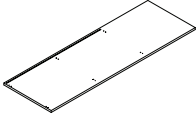
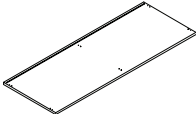
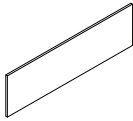
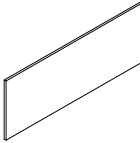
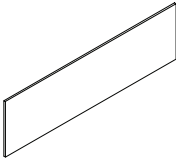
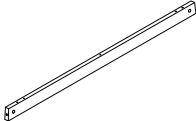
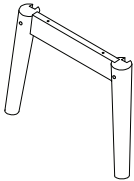
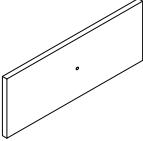
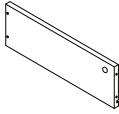
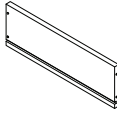
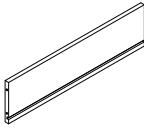
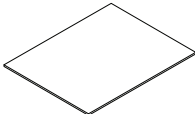
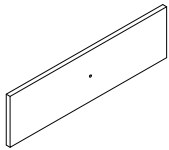
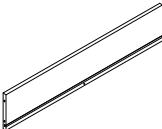
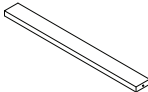
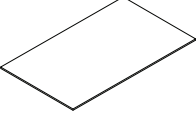


150'



1



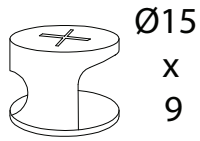
1  x 1	2  x 1	3  x 1	4  x 1	
5  x 1	6  x 2	7  x 2	8  x 2	9  x 1
10  x 1	11  x 2	12  x 2	13  x 2	14  x 2
15  x 2	16  x 2	17  x 4	18  x 4	19  x 2
20  x 2	21  x 2	22  x 2	23  x 2	24  x 2

A



x 28

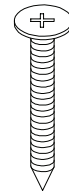
B



Ø15
x
9

x 28

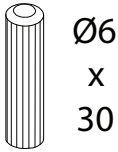
C



4
x
40

x 46

D



Ø6
x
30

x 48

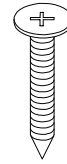
E



3
x
12

x 48

F



4
x
30

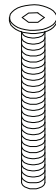
x 4

G



x 4

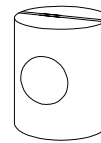
H



M6
x
65

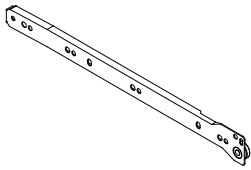
x 4

I



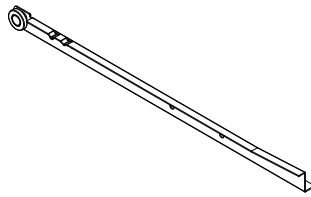
x 4

J1



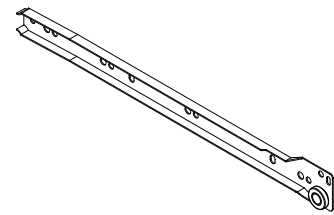
x 4

J2



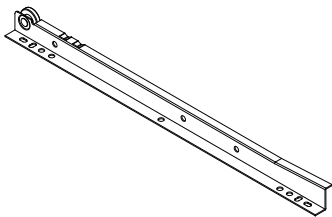
x 4

K1



x 4

K2



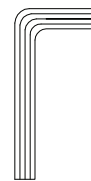
x 4

L



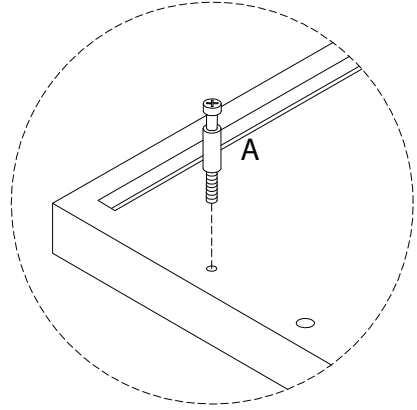
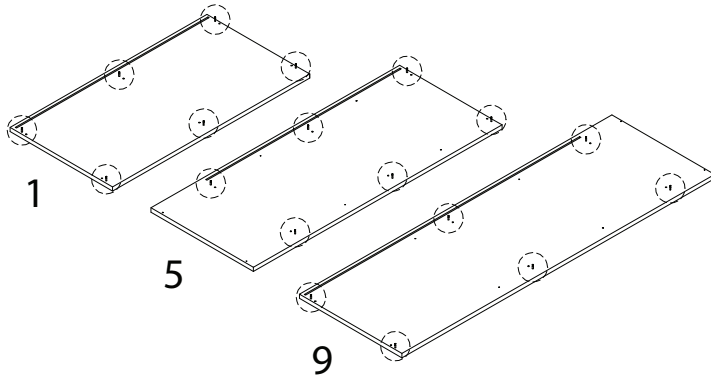
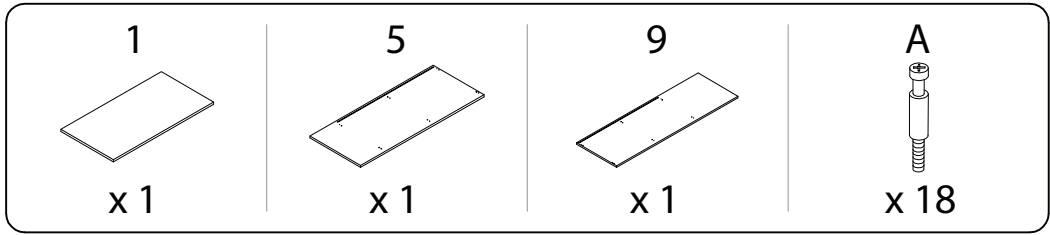
x 4

M

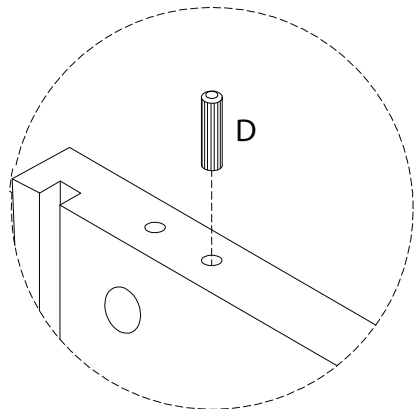
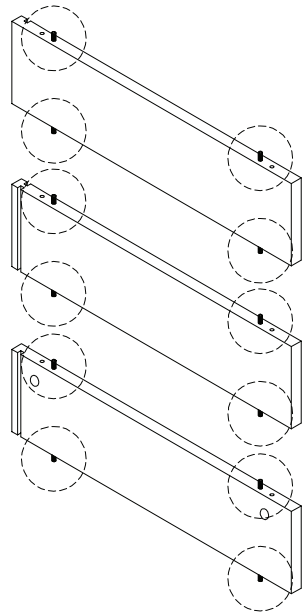
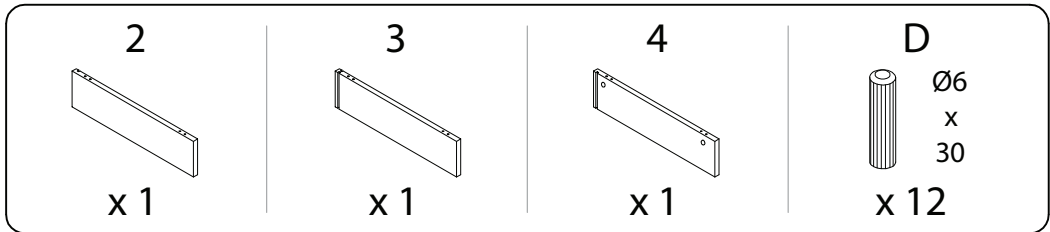


x 1

1



2

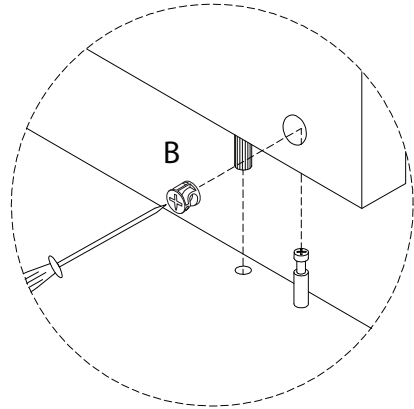
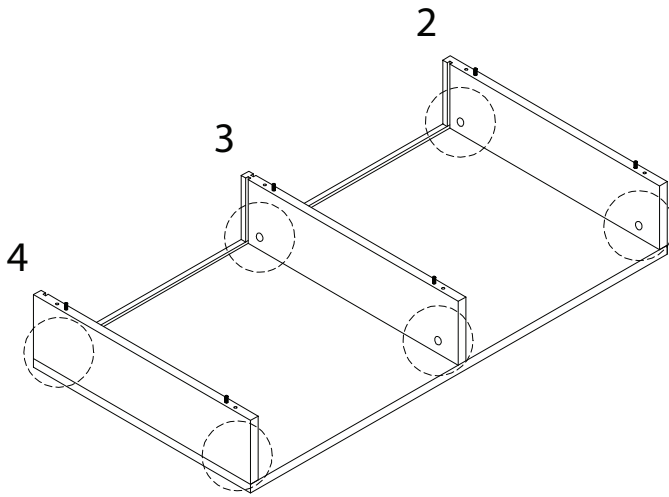


3

B

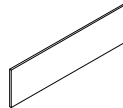


x 6

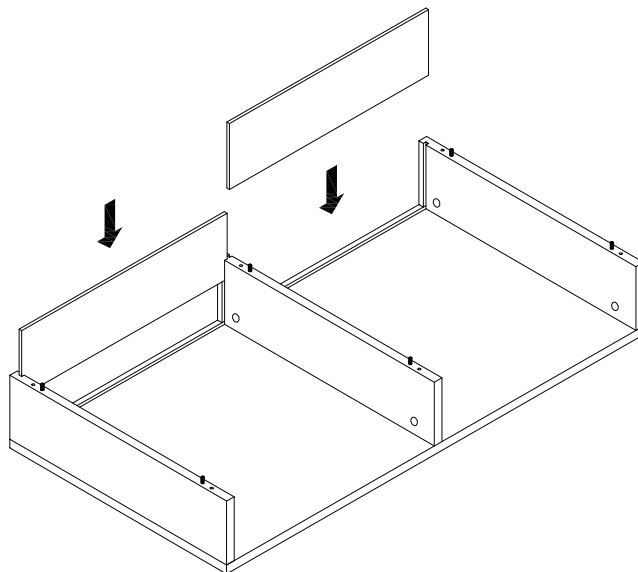


4

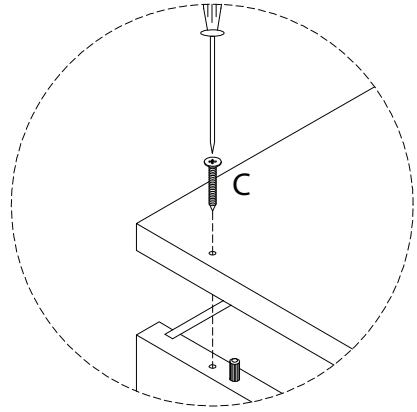
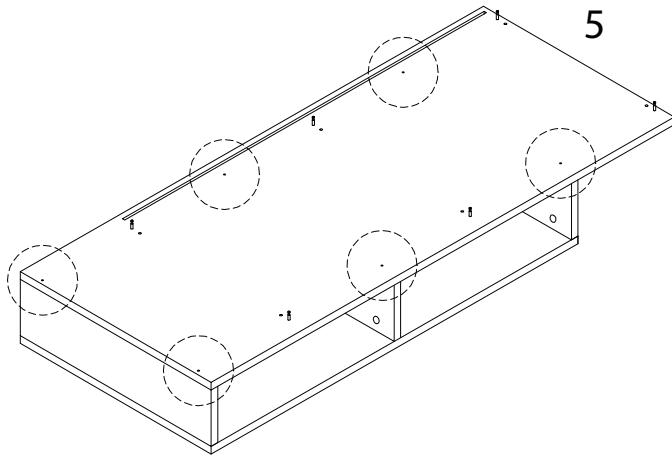
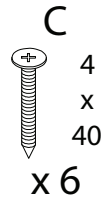
11



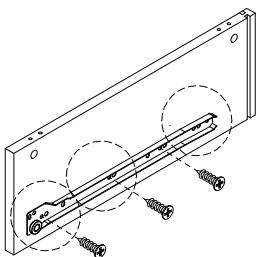
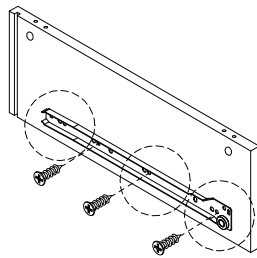
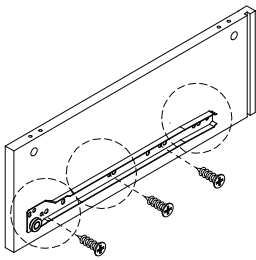
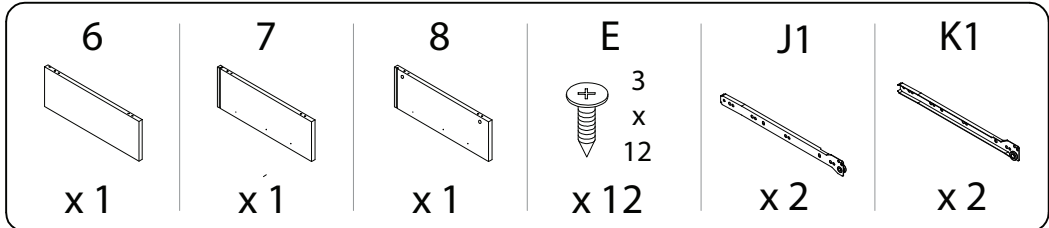
x 2



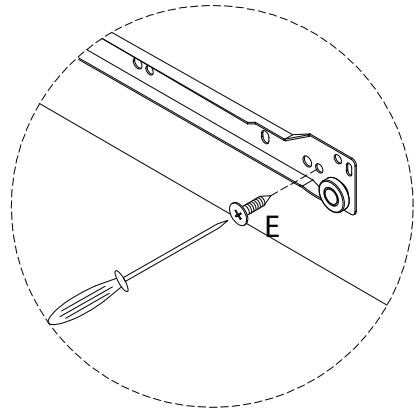
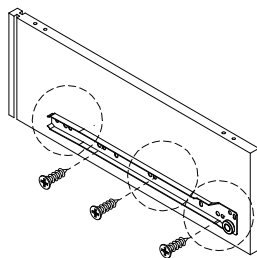
5



6 x 2




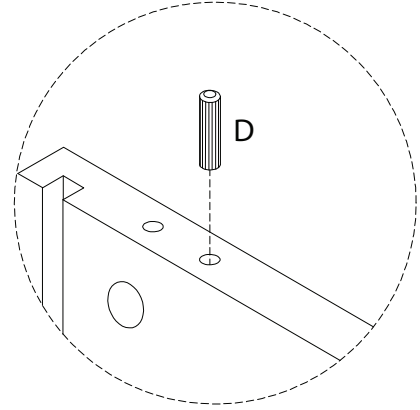
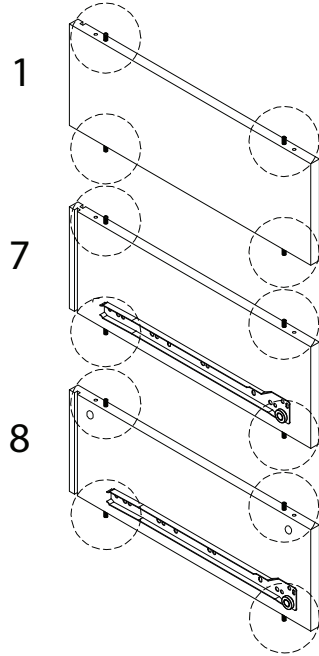
180°



7 x 2

D

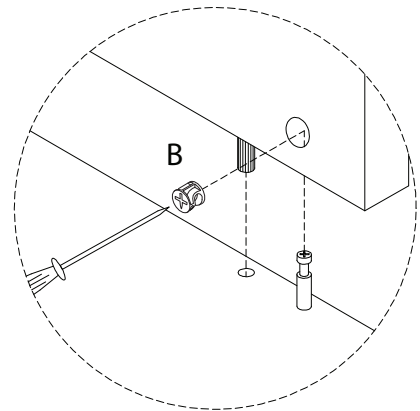
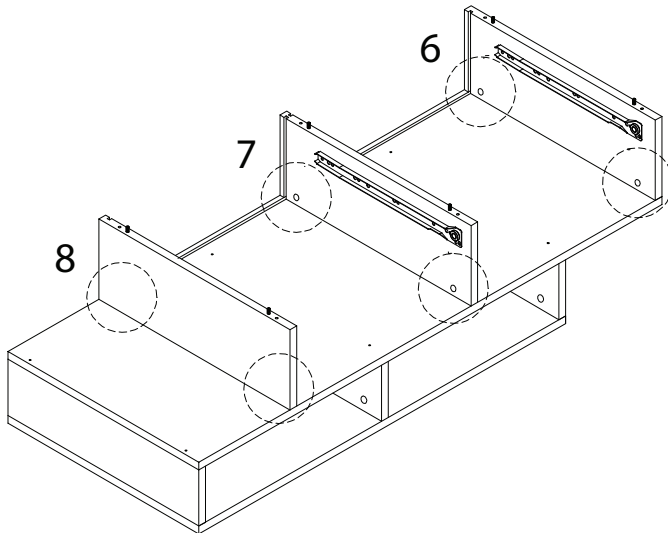
 Ø6
x
30
x 12



8

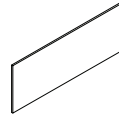
B


x 6

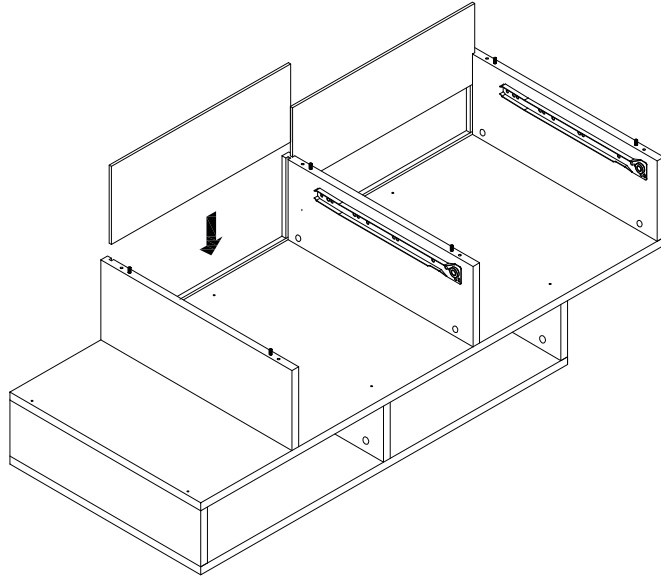


9

12

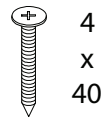


x 2



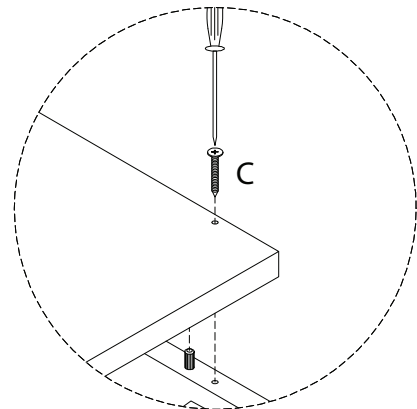
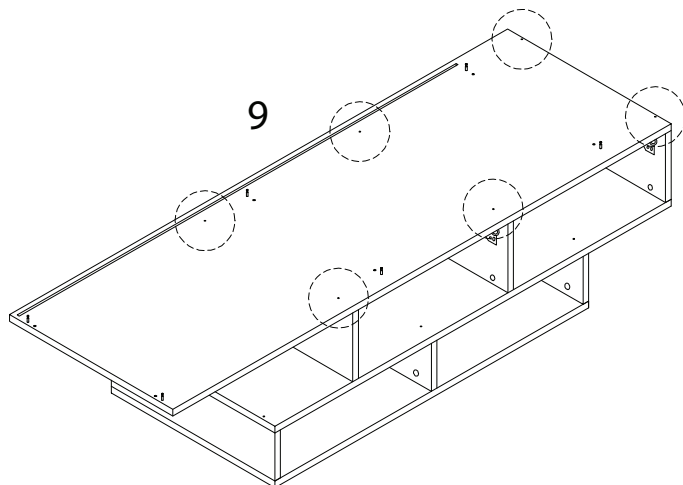
10

C



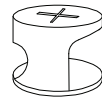
4
x
40

x 6

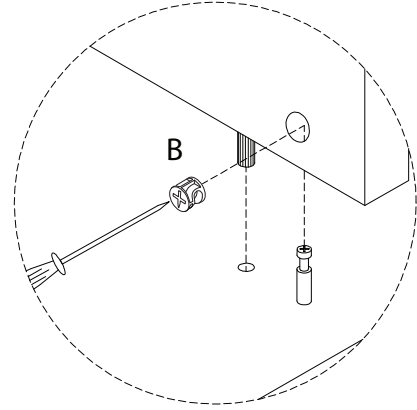
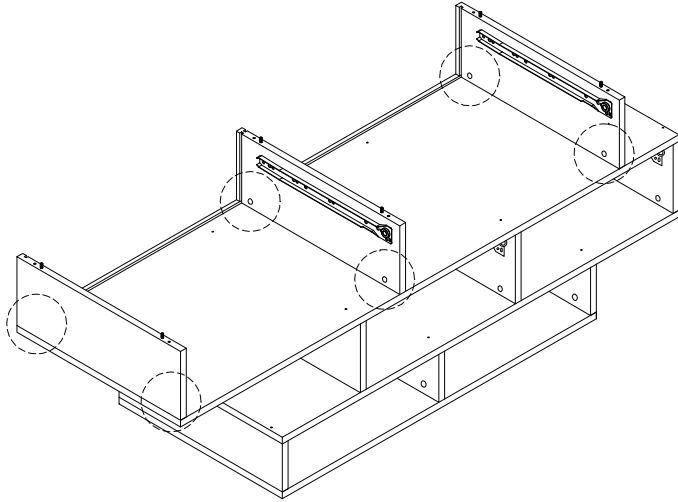


11

B

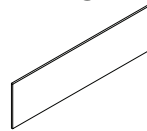


x 6

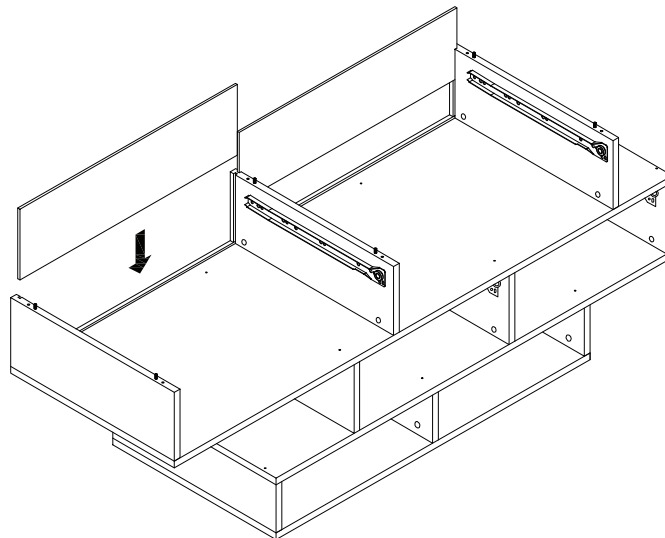


12

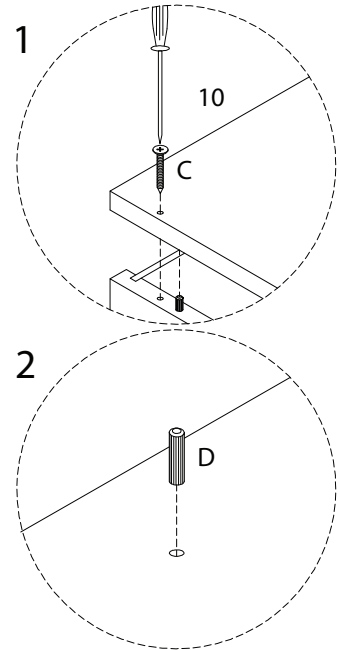
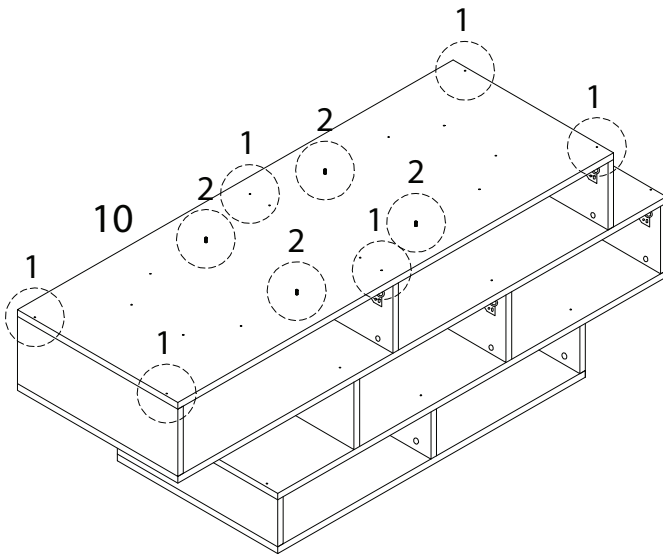
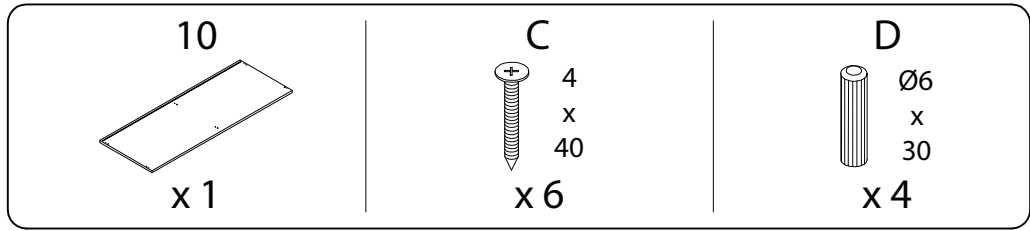
13



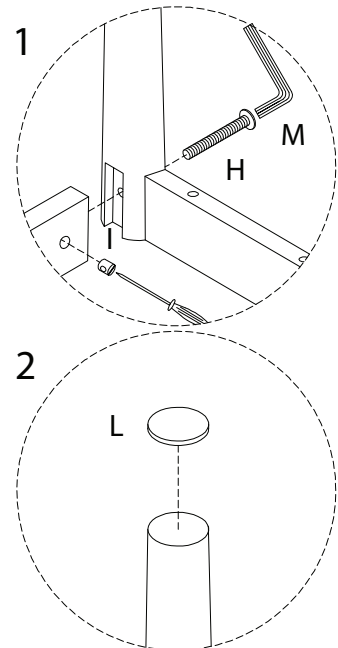
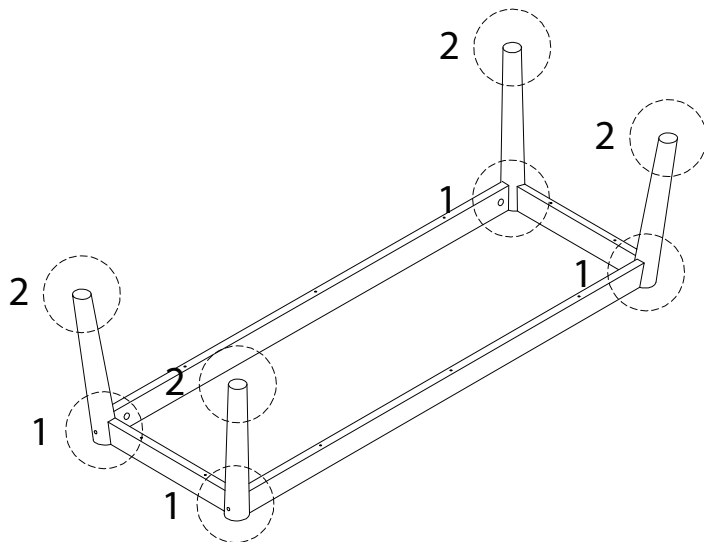
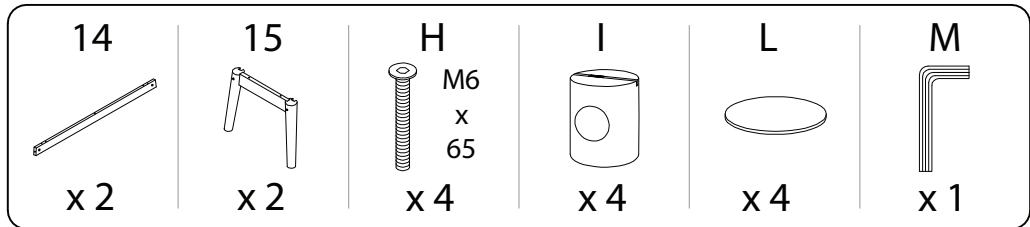
x 2



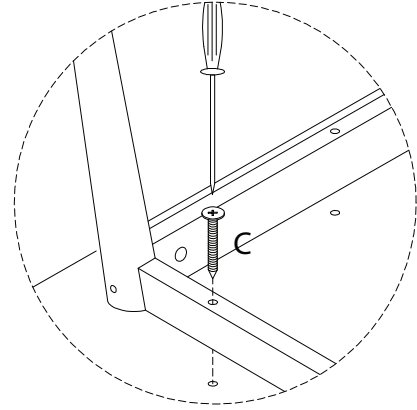
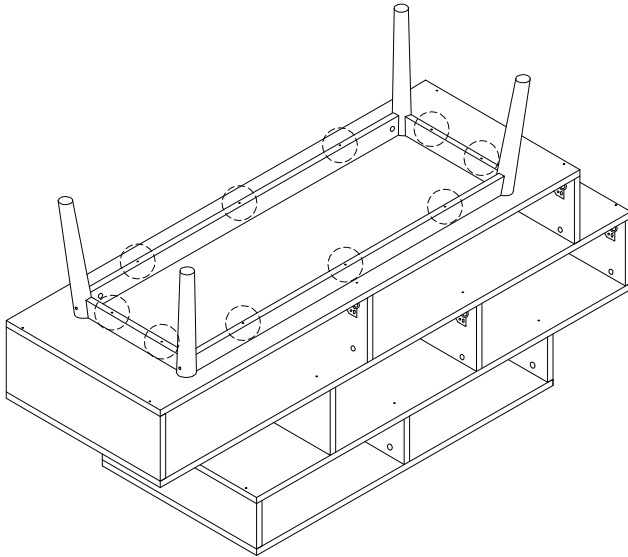
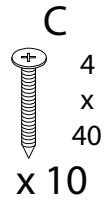
13



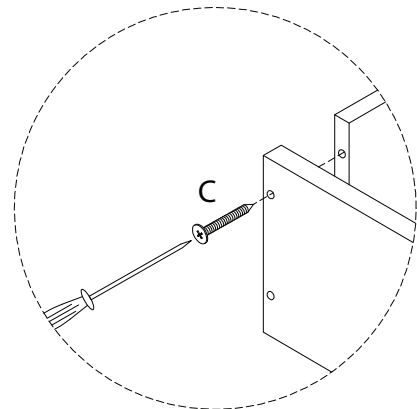
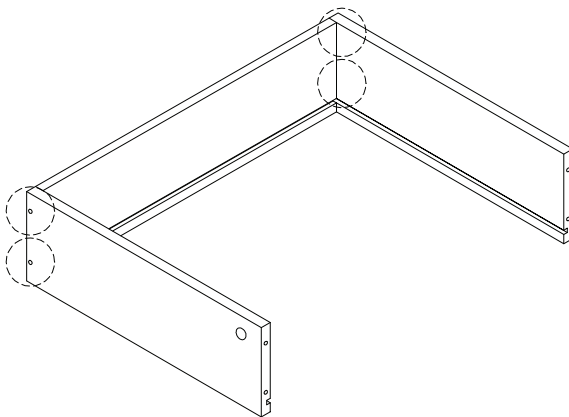
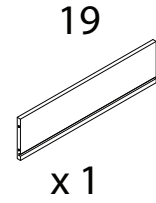
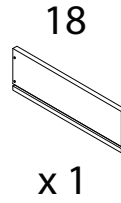
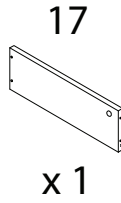
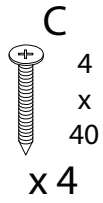
14



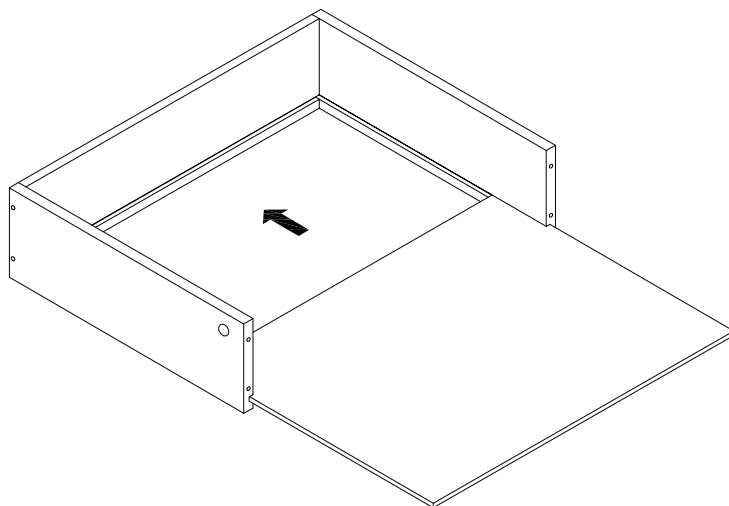
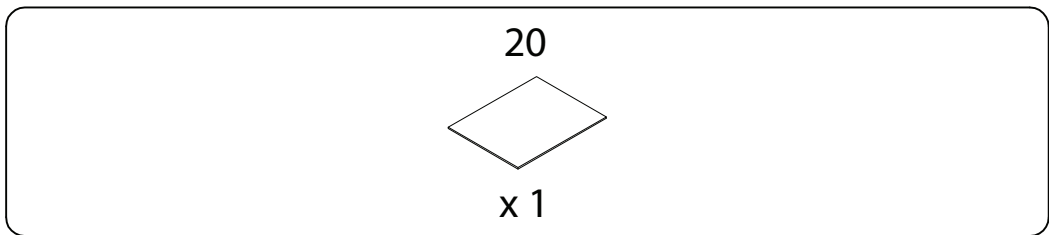
15



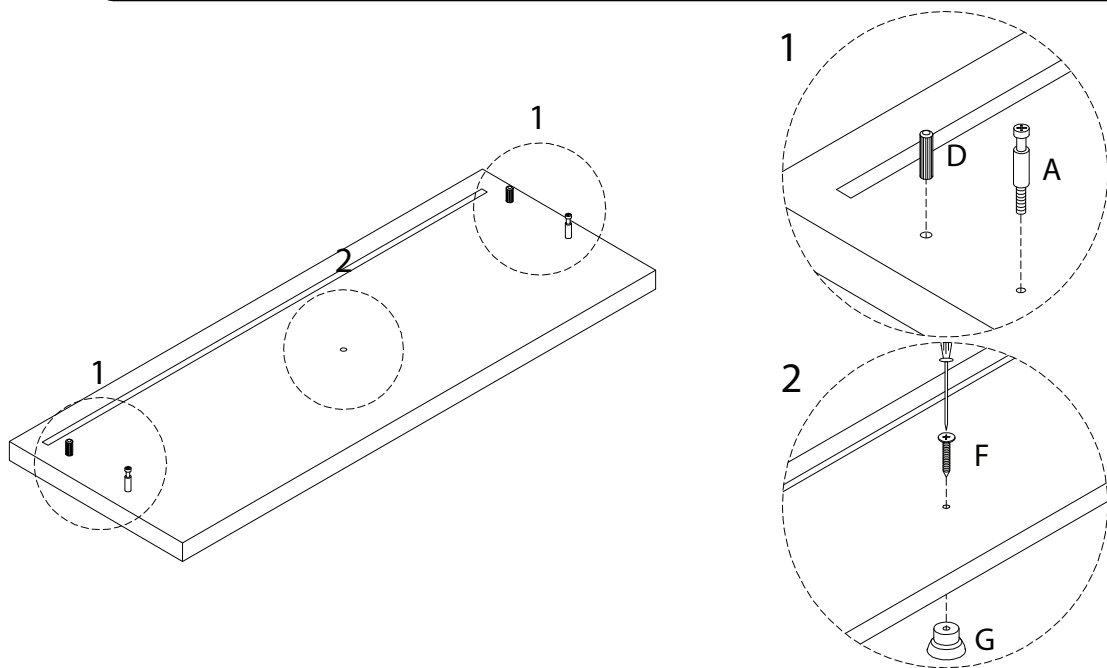
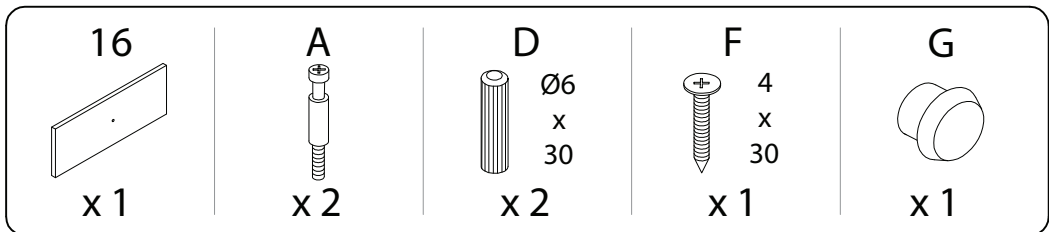
16 x 2



17 x 2



18 x 2

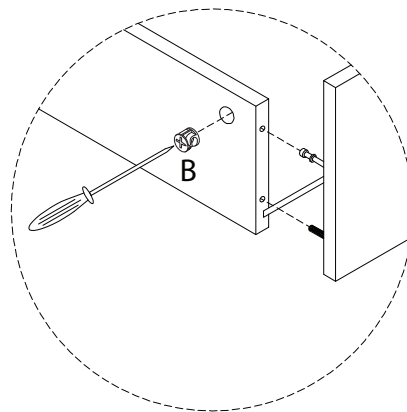
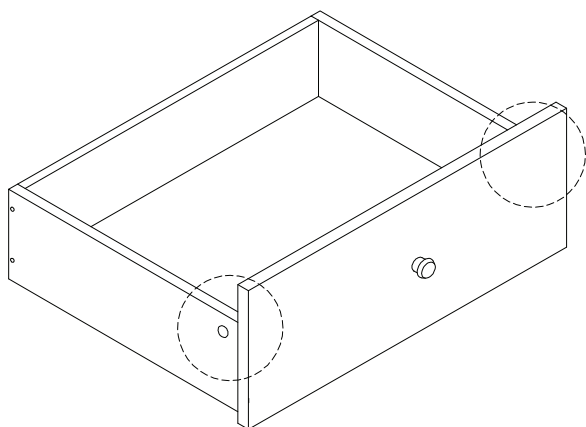


19 x 2

B

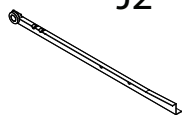


x 2



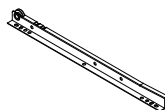
20 x 2

J2



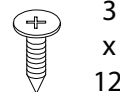
x 1

K2



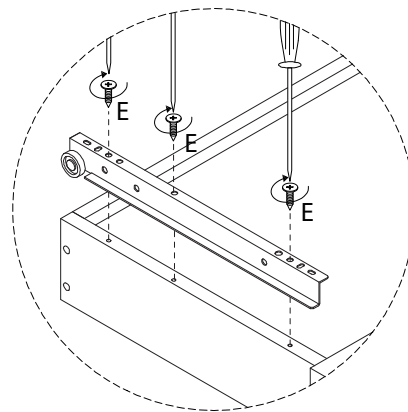
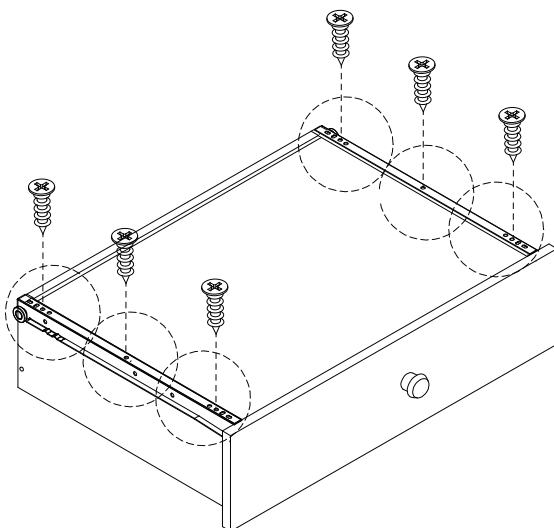
x 1

E

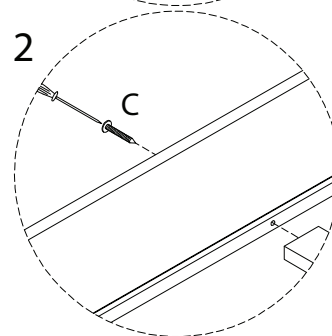
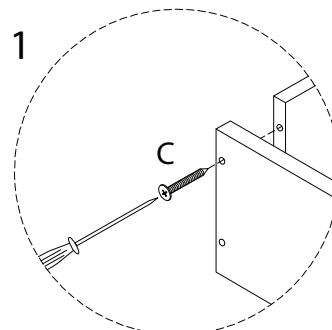
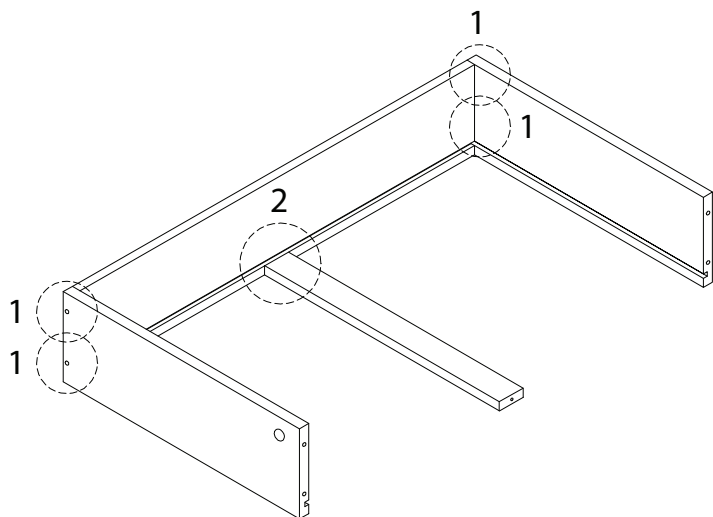
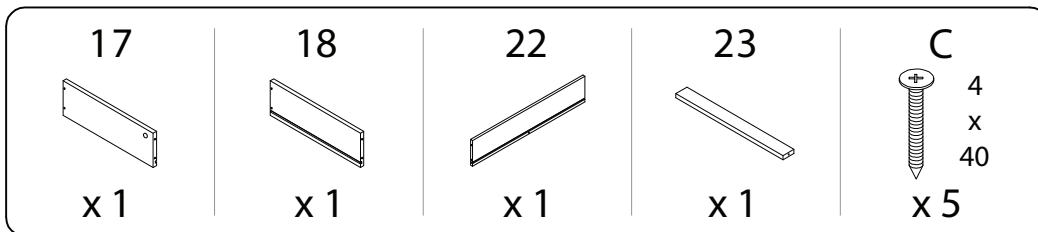


3
x
12

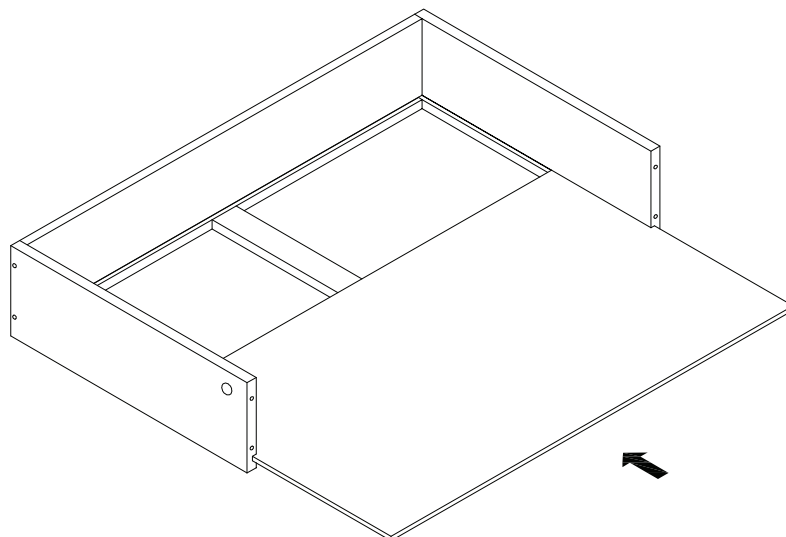
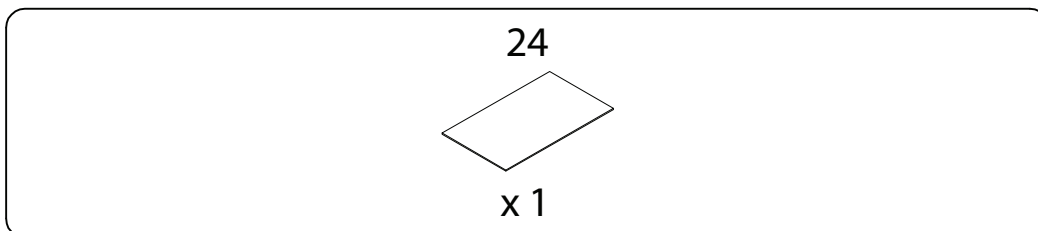
x 6



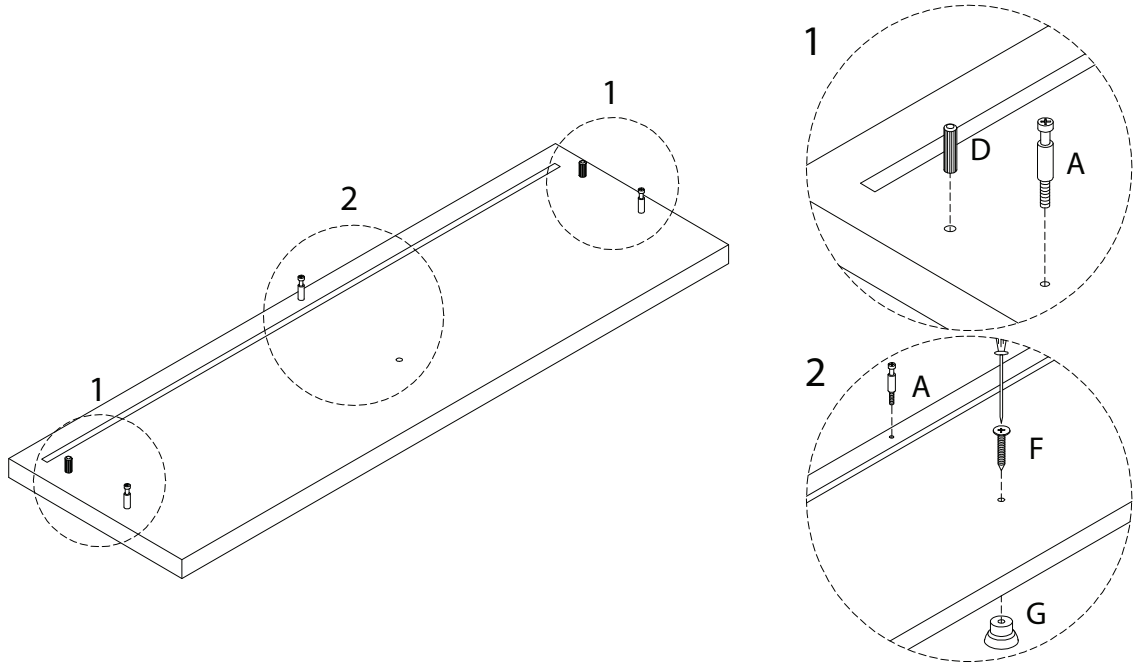
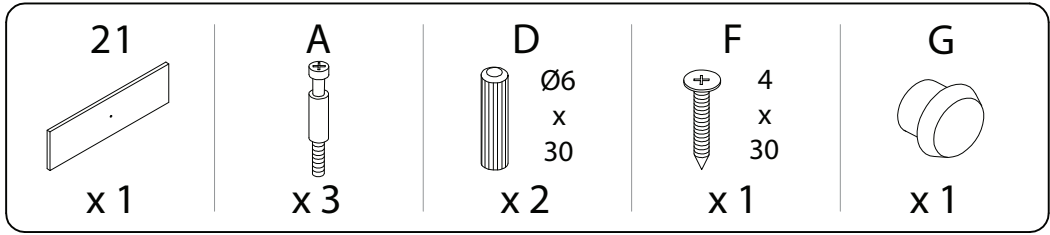
21 x 2



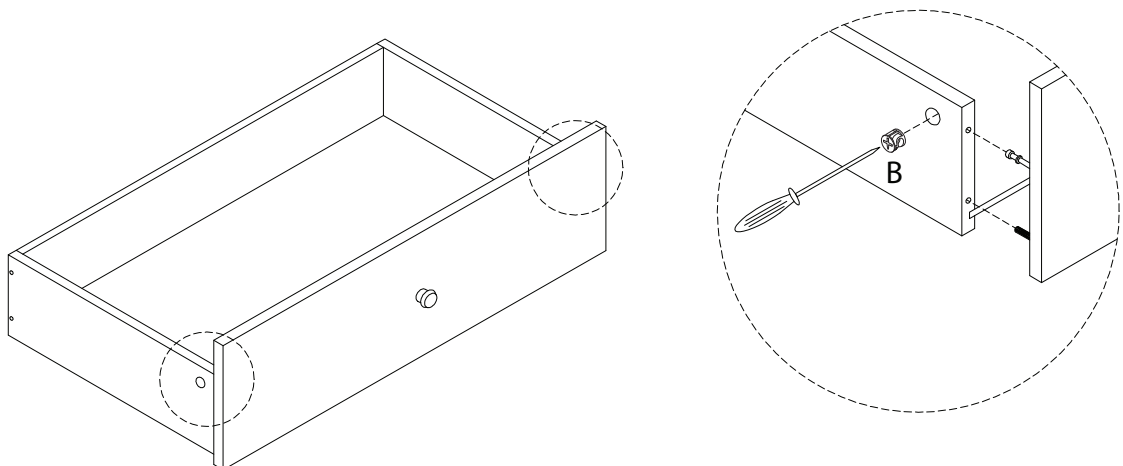
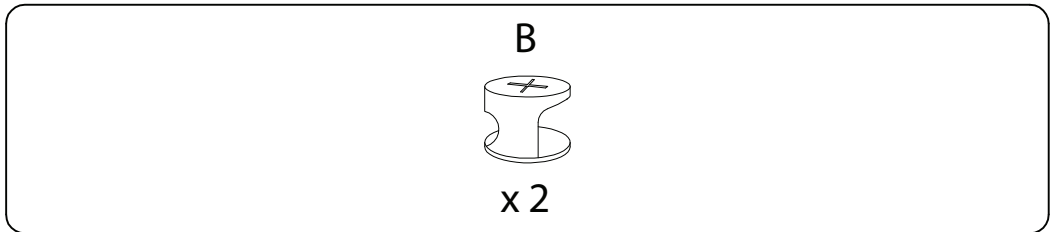
22 x 2



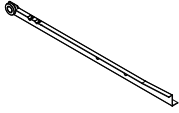
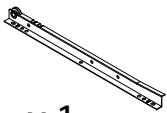
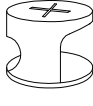

23 x 2



24 x 2



25 x 2

<p>J2</p>  <p>x1</p>	<p>K2</p>  <p>x1</p>	<p>B</p>  <p>x1</p>	<p>E</p>  <p>3 x 12</p> <p>x6</p>
---	---	---	--

