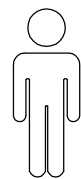
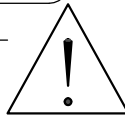
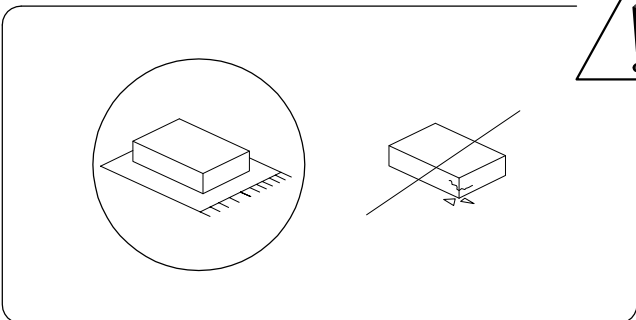


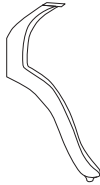

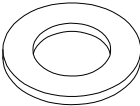
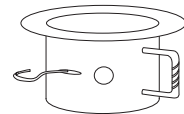
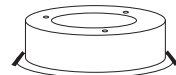
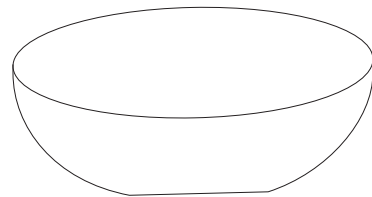
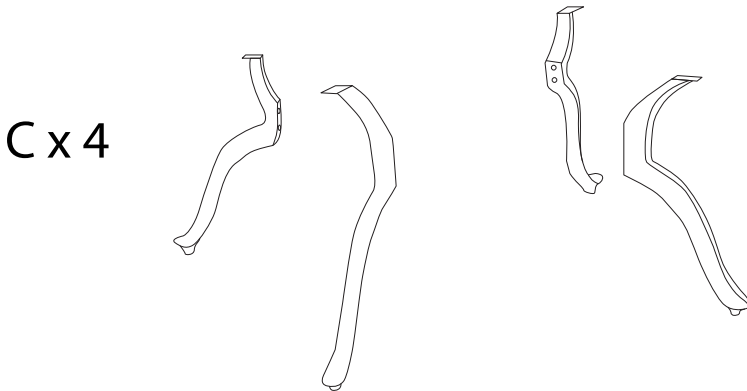
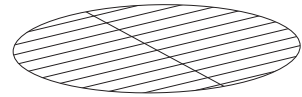
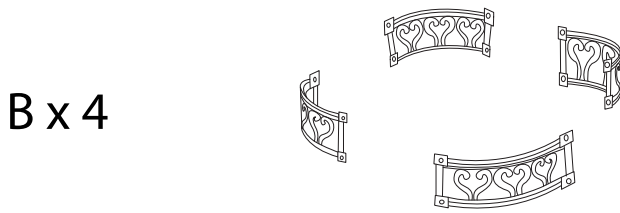
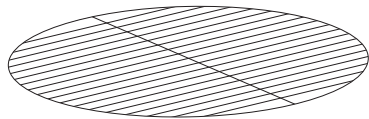
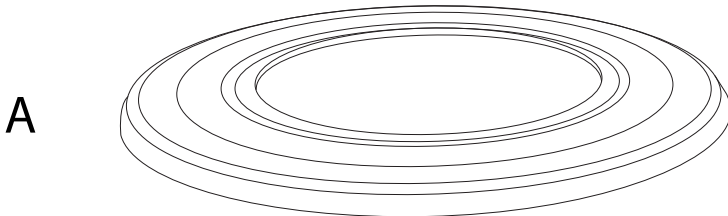
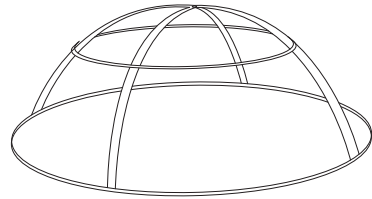
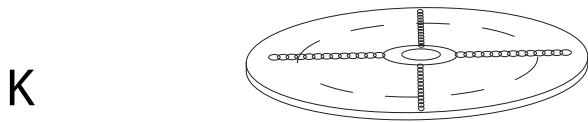


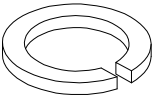
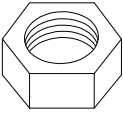
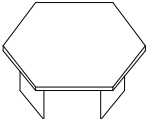

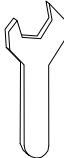
40'



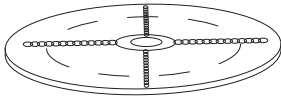
1

A	B	C	D	E
				
x 1	x 4	x 4	x 12	x 12



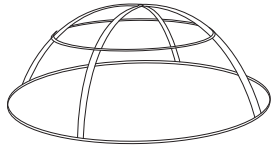
F	G	H	I	J
				
x 12	x 12	x 12	x 1	x 1

K



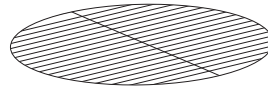
x 1

L



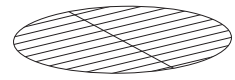
x 1

M



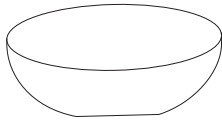
x 1

N



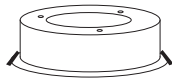
x 1

O



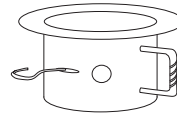
x 1

P



x 1

Q



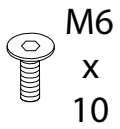
x 1

R



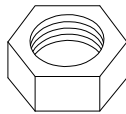
x 2

S



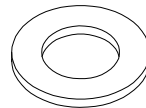
x 3

T



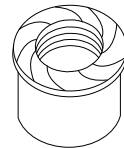
x 3

U



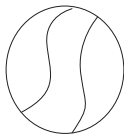
x 3

V



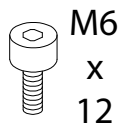
x 4

W



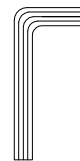
x 1

X



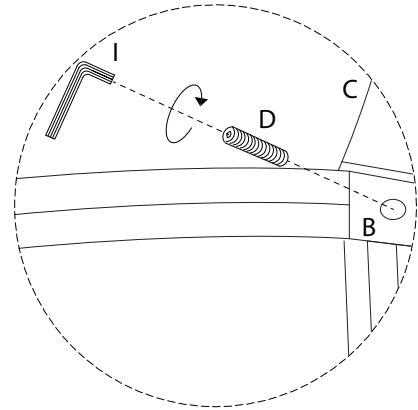
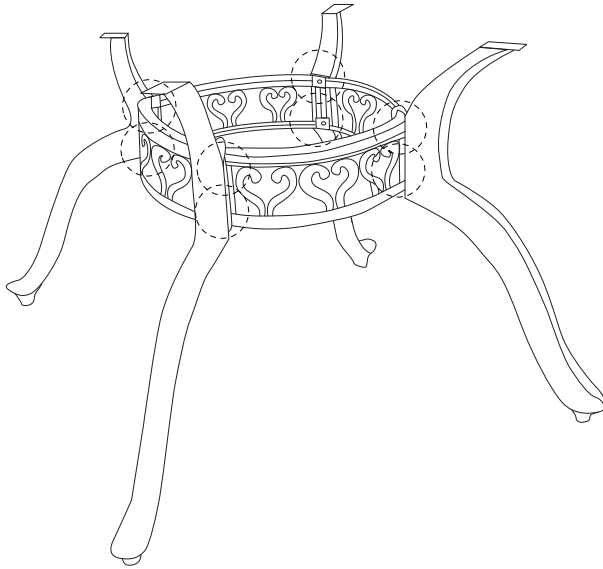
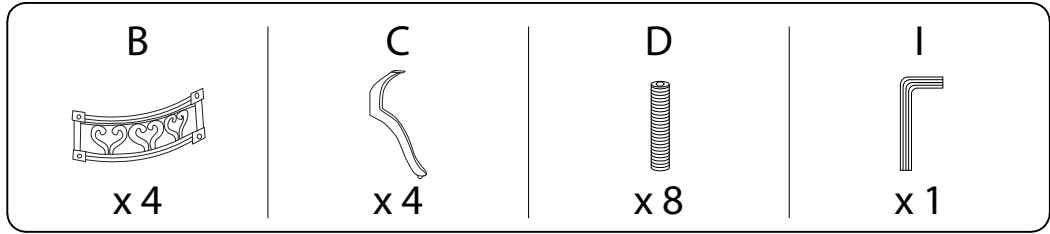
x 1

Y

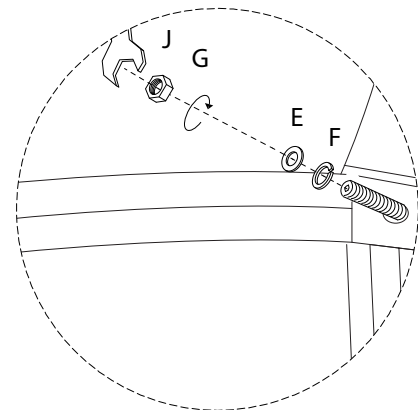
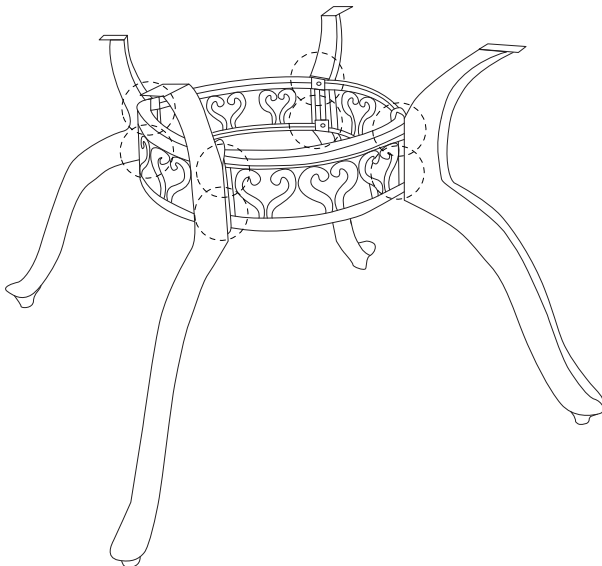
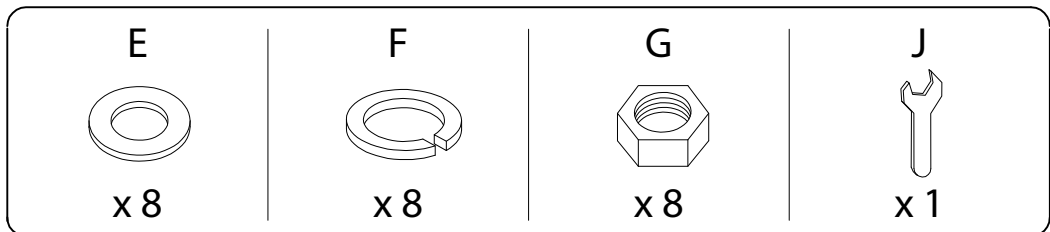


x 1

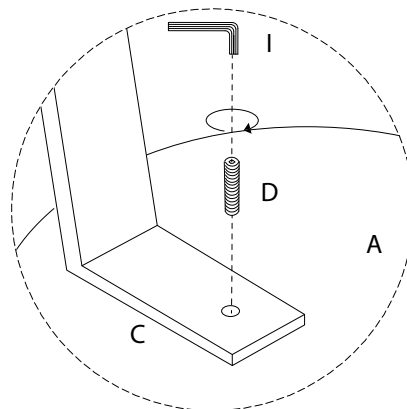
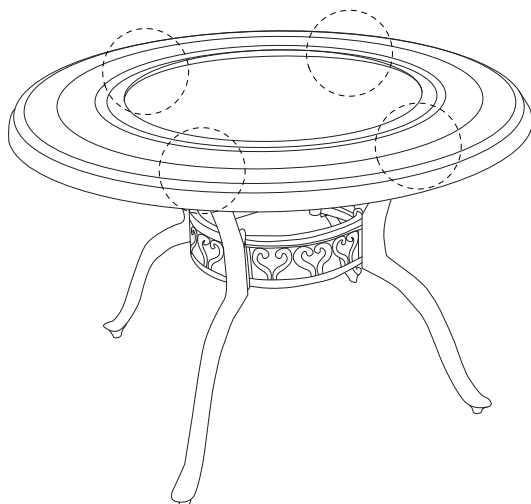
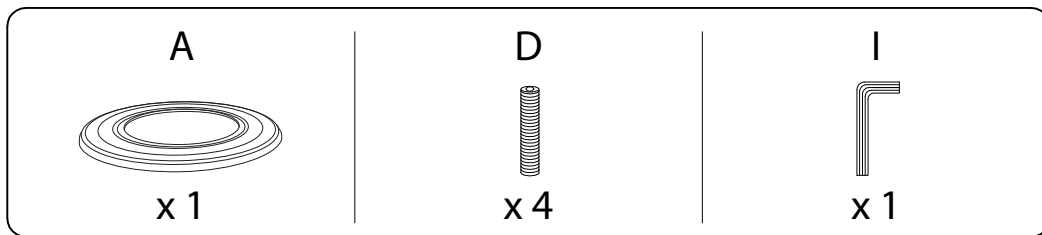
1



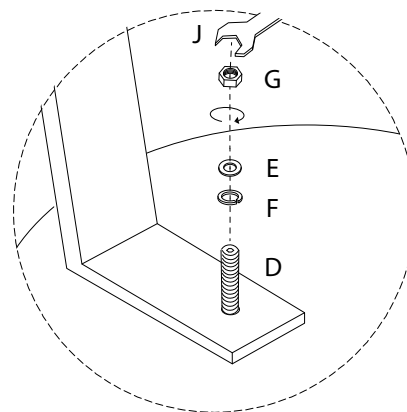
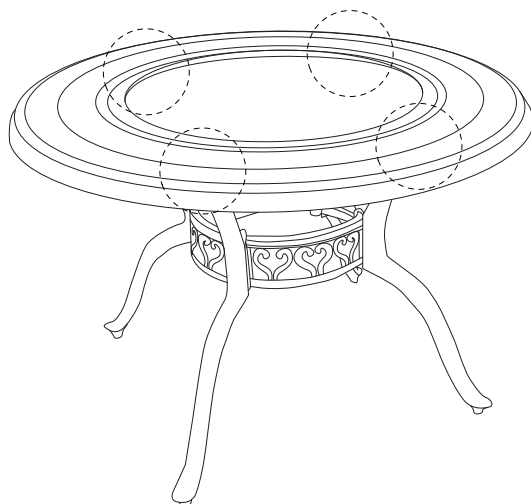
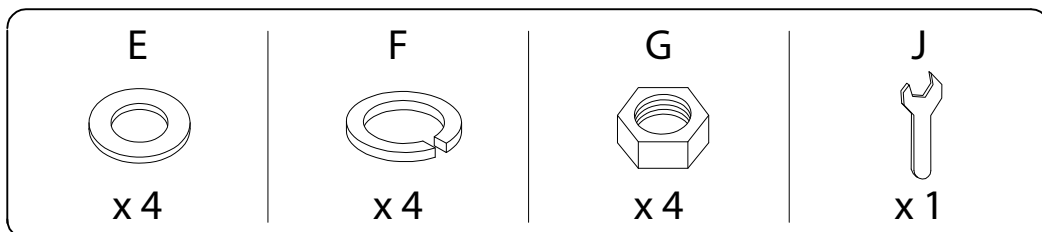
2



3



4

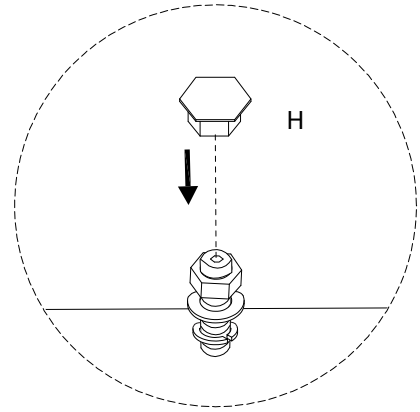
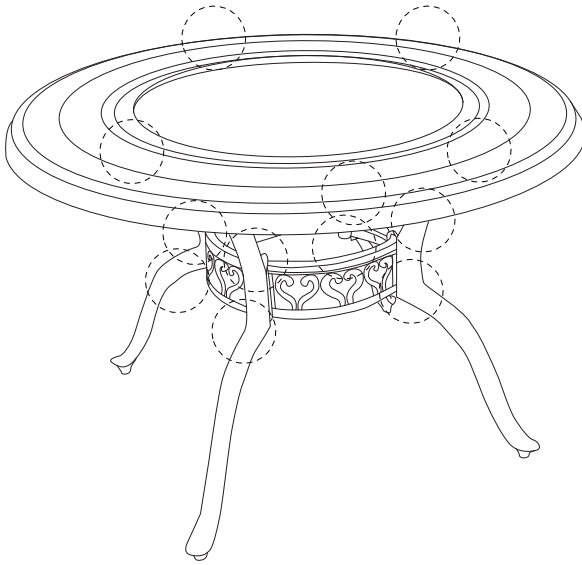


5

H



x 12



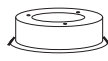
6

O



x 1

P



x 1

S



x 3

T



x 3

U



x 3

Y

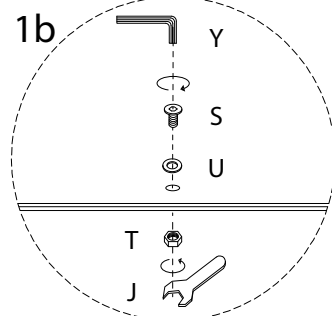
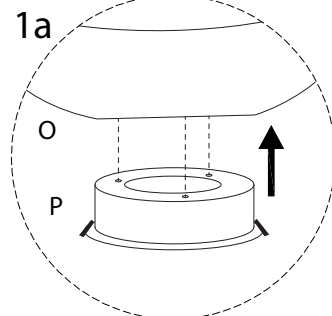
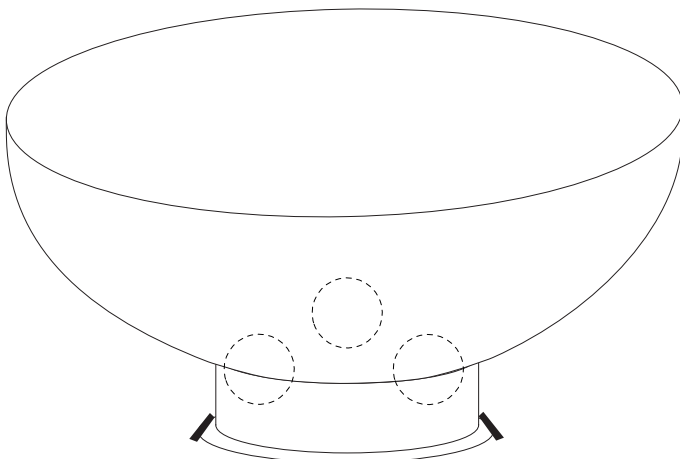


x 1

J



x 1



7

R

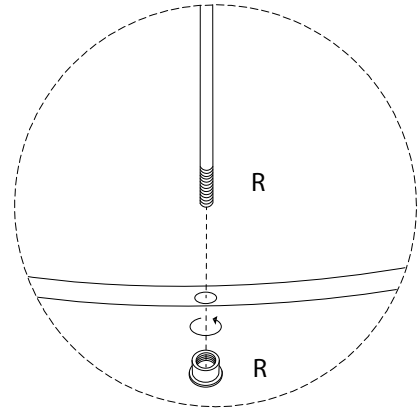
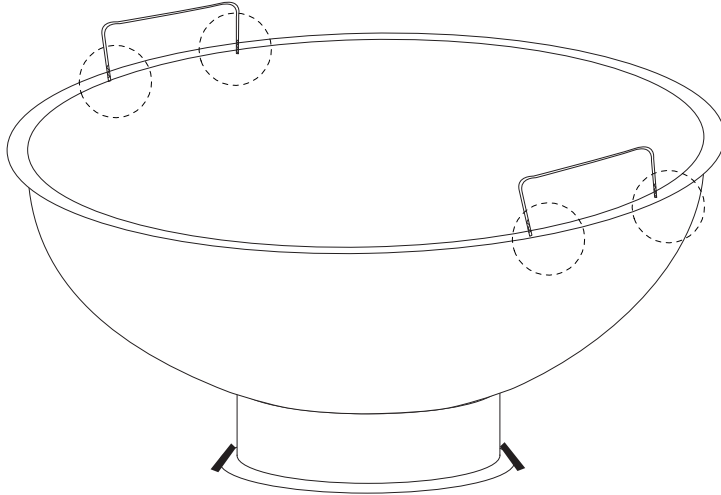


x 2

V



x 4



8

L



x 1

W



x 1

X



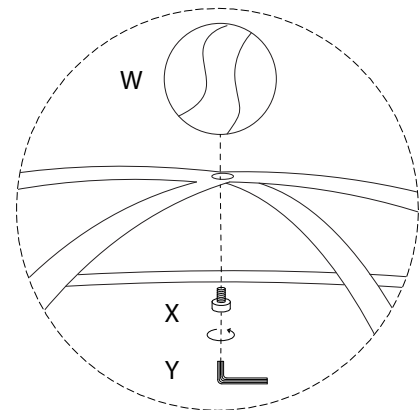
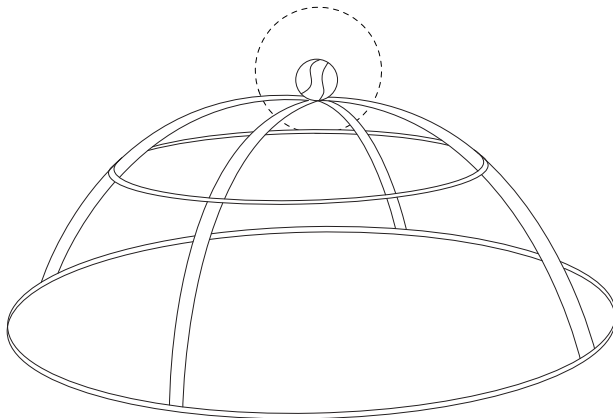
x 12

x 1

Y

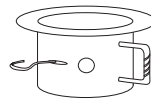


x 1

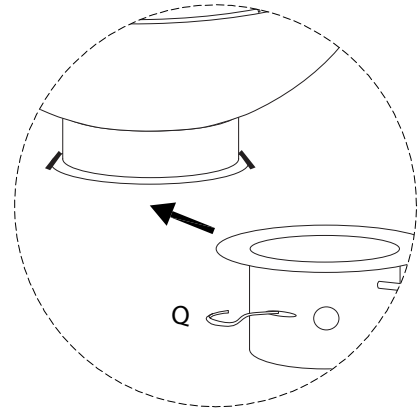
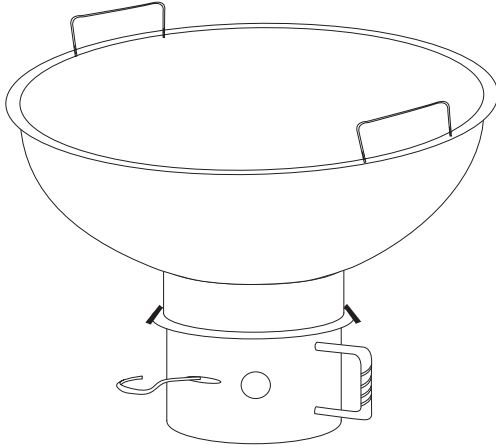


9

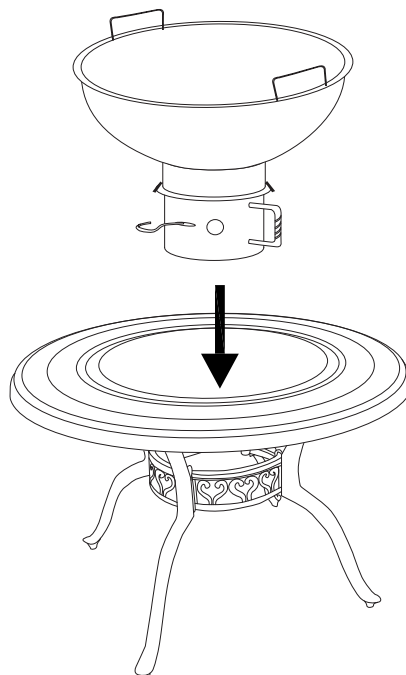
Q



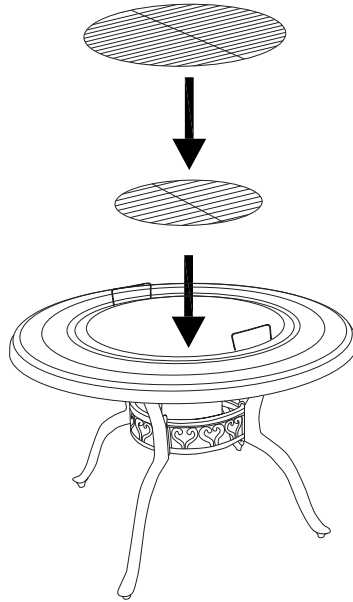
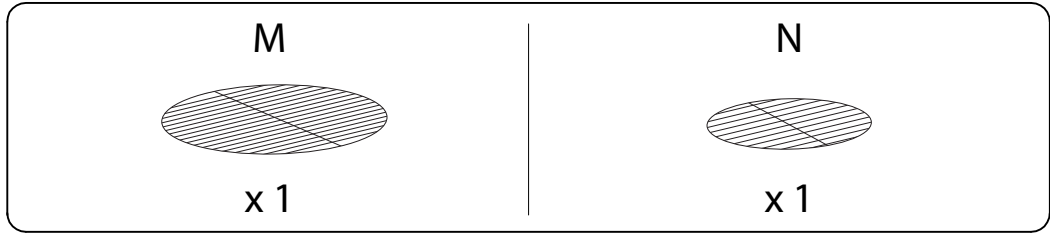
x 1



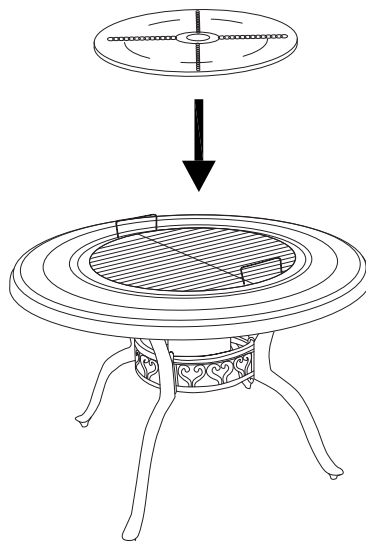
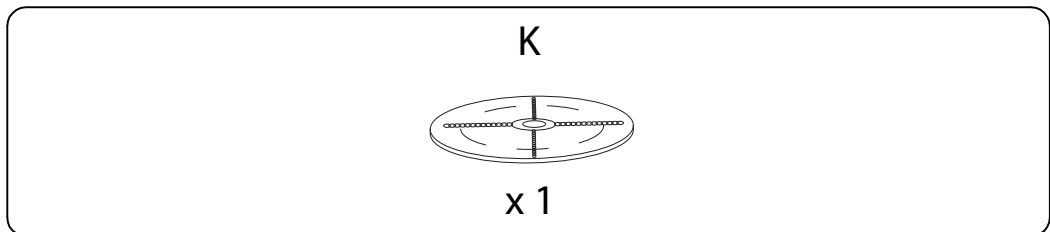
10



11



!



!

