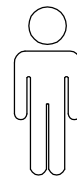
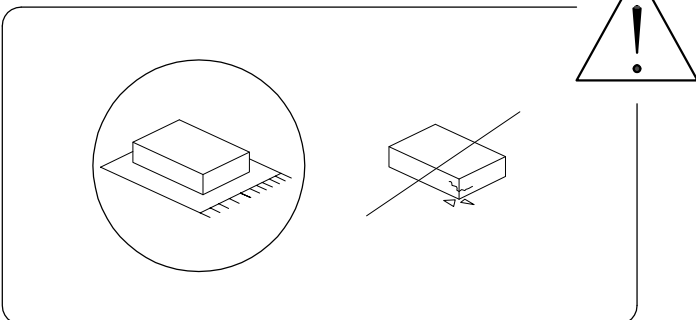
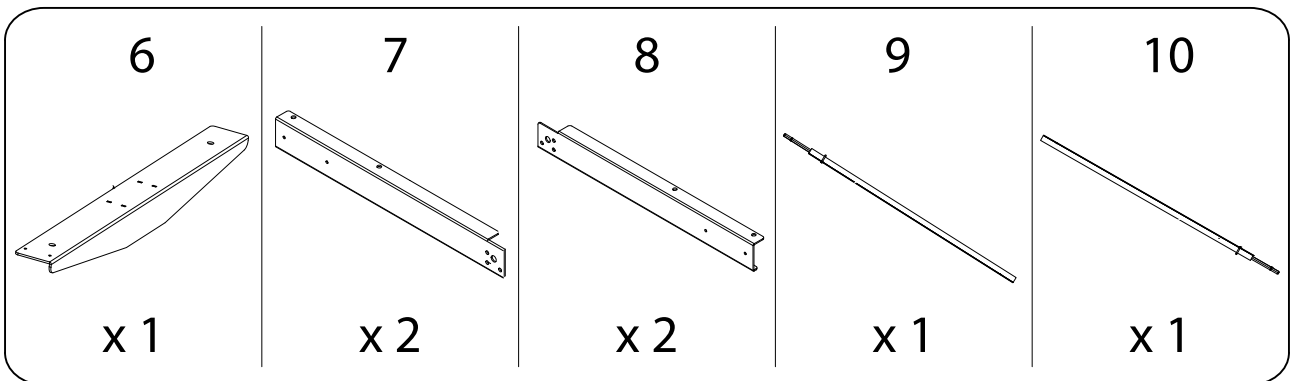
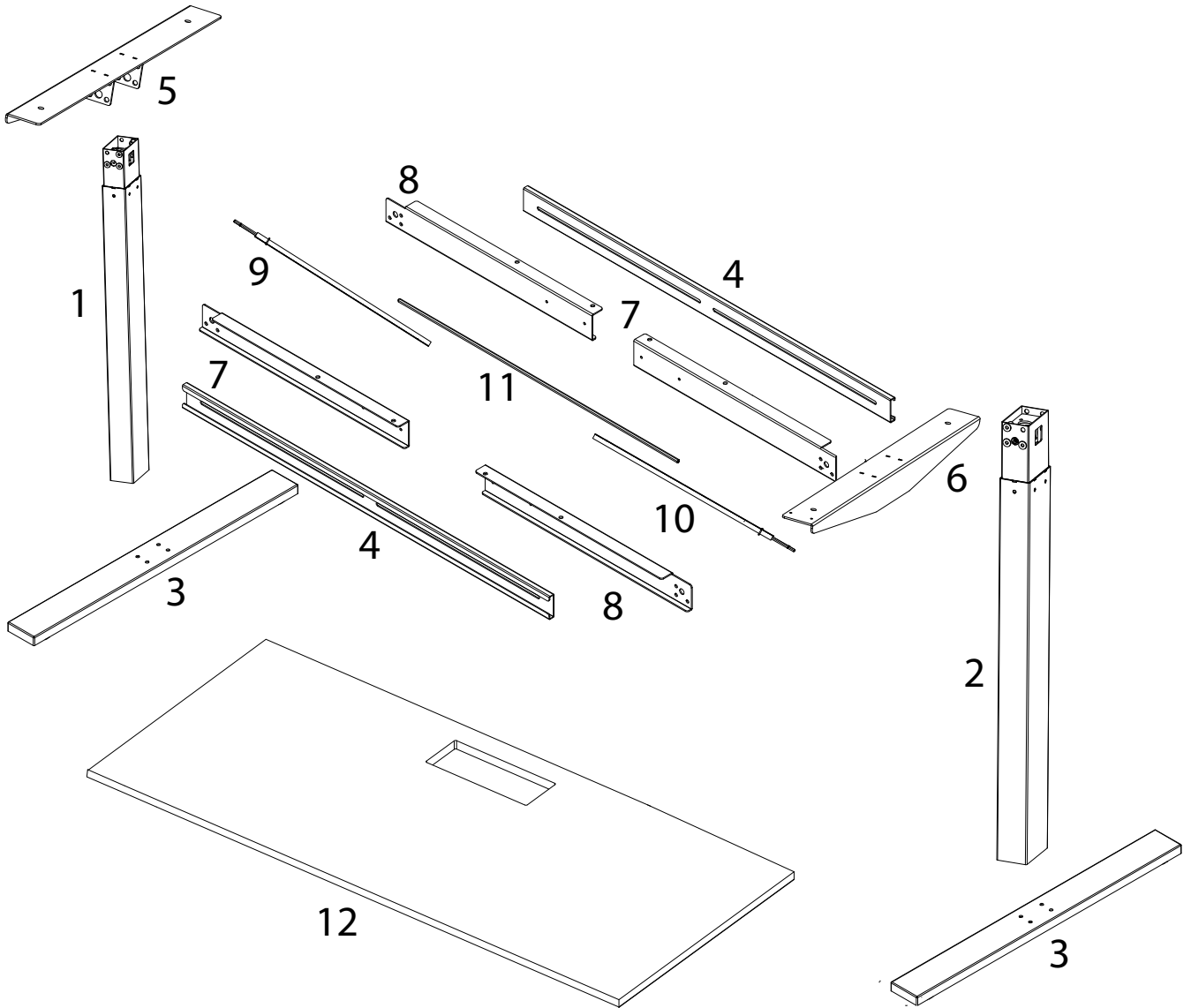
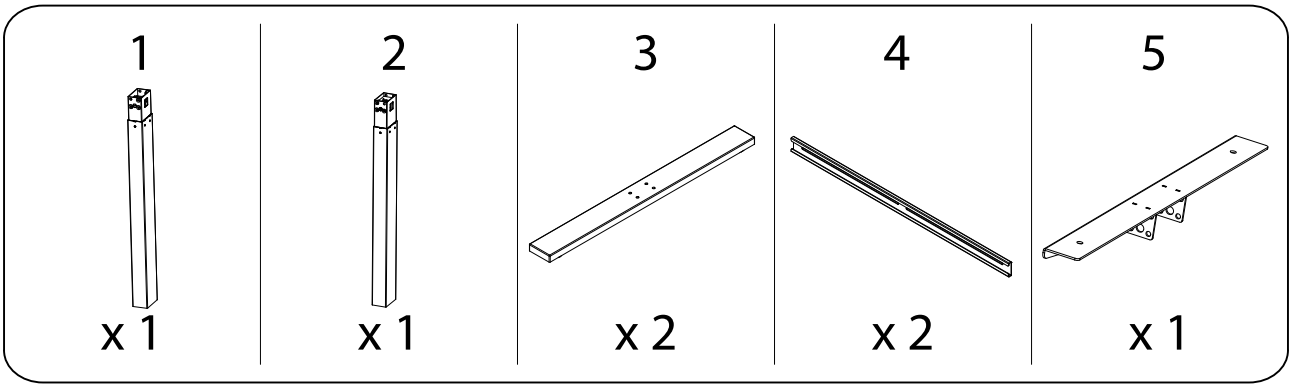


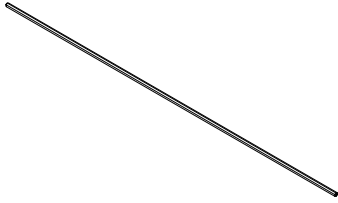
20'



2

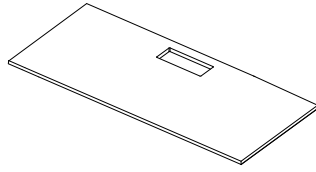


11



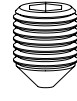
x 1

12



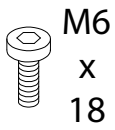
x 1

A



x 2

B



M6  
x  
18

x 20

C



M6  
x  
10

x 8

D



M4  
x  
8

x 2

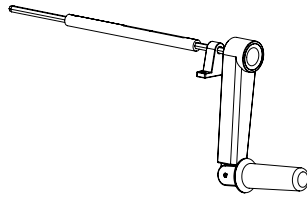
E



M6  
x  
16

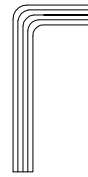
x 8

F



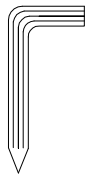
x 1

G



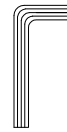
x 1

H



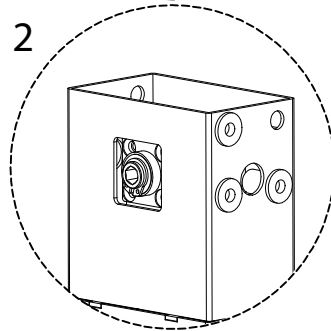
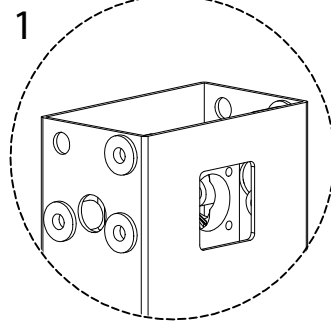
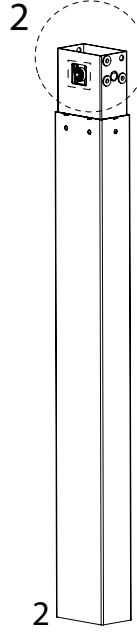
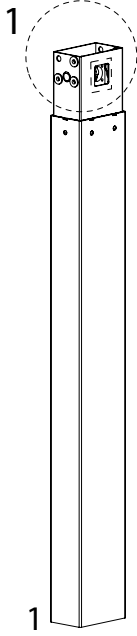
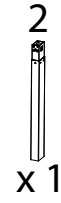
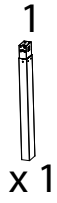
x 1

I

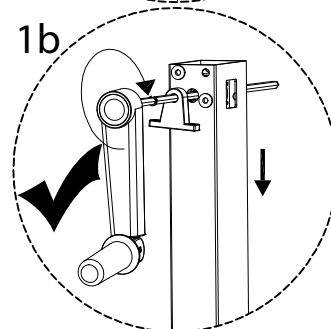
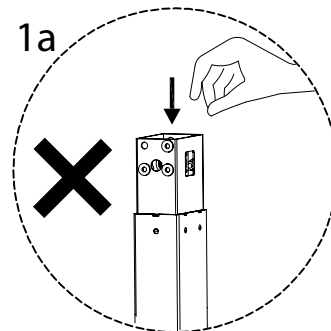
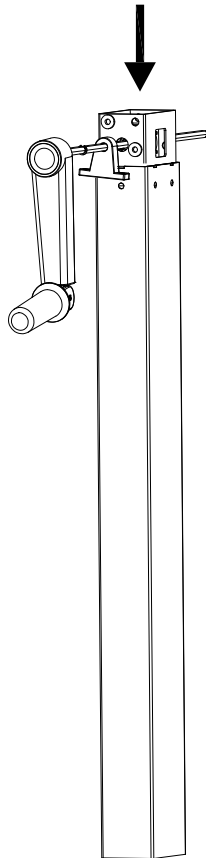


x 1

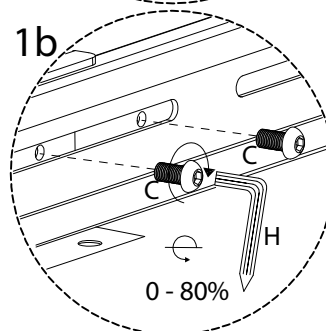
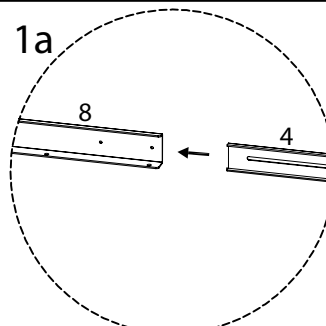
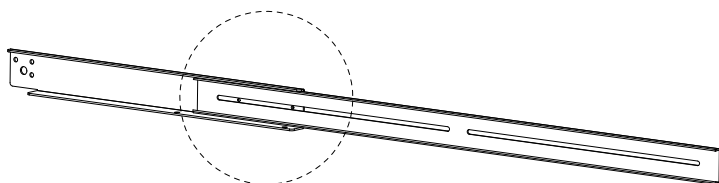
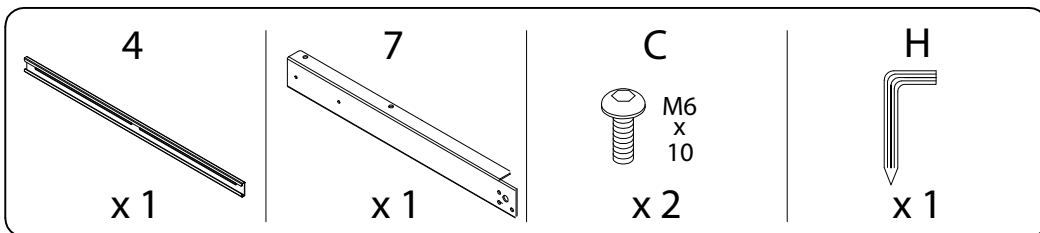
1



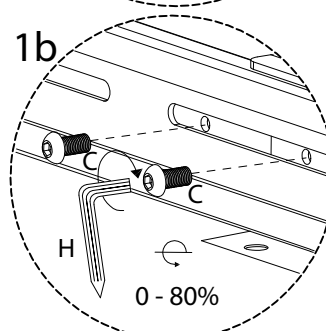
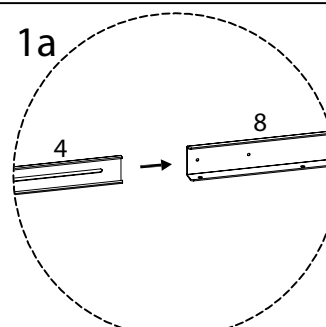
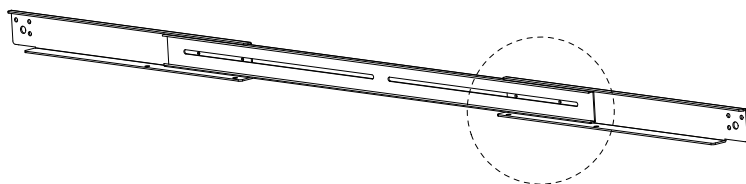
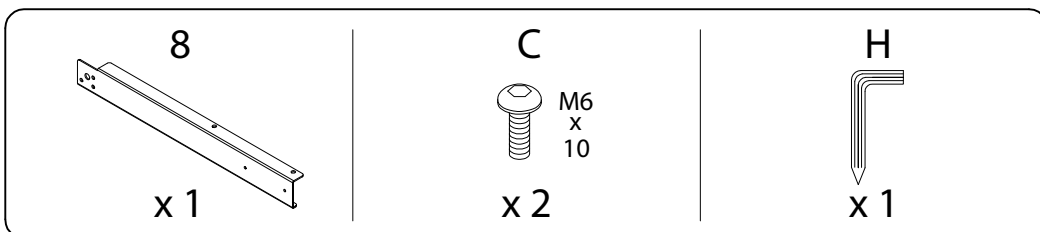
2



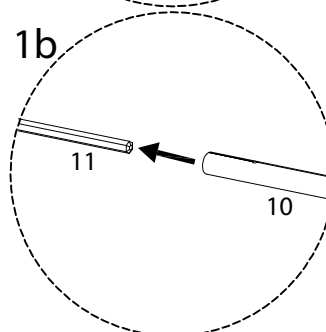
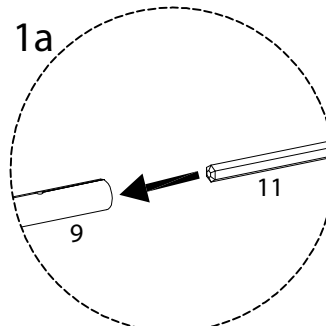
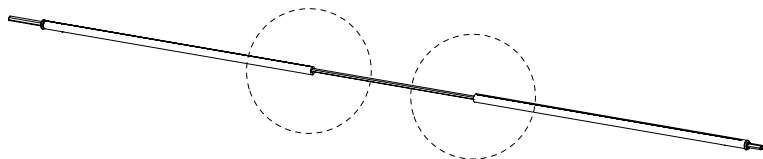
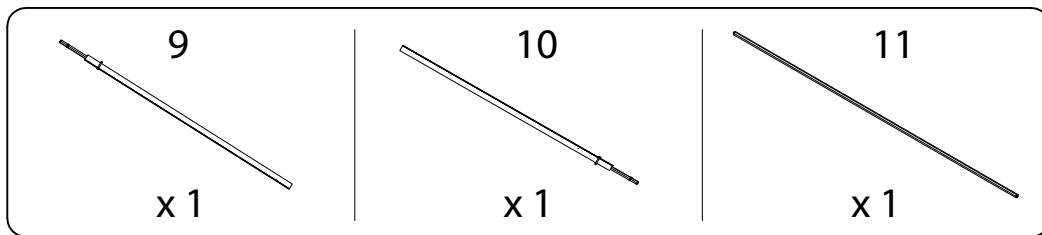
3 x 2



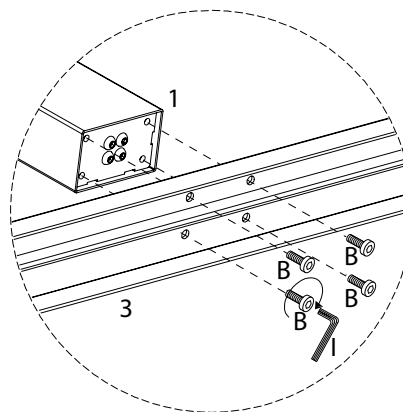
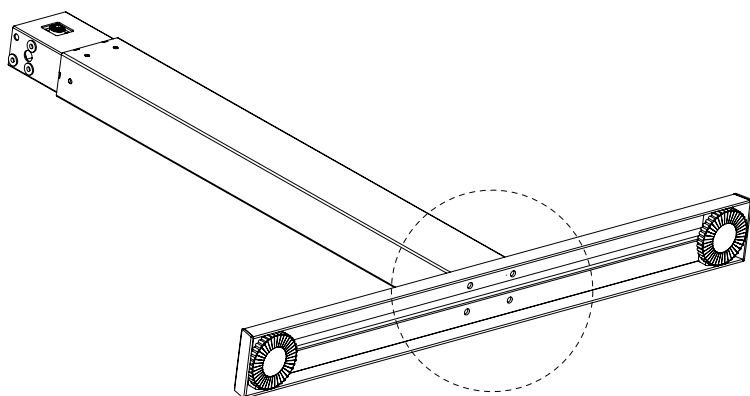
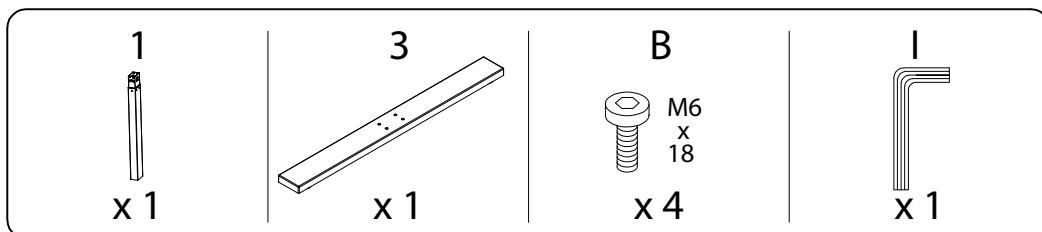
4 x 2



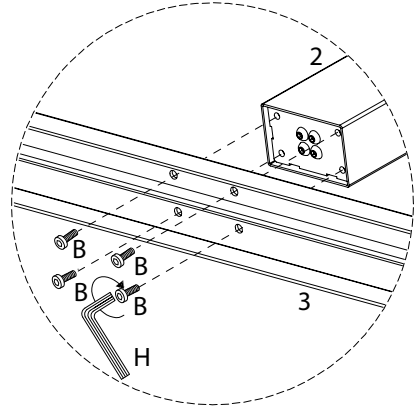
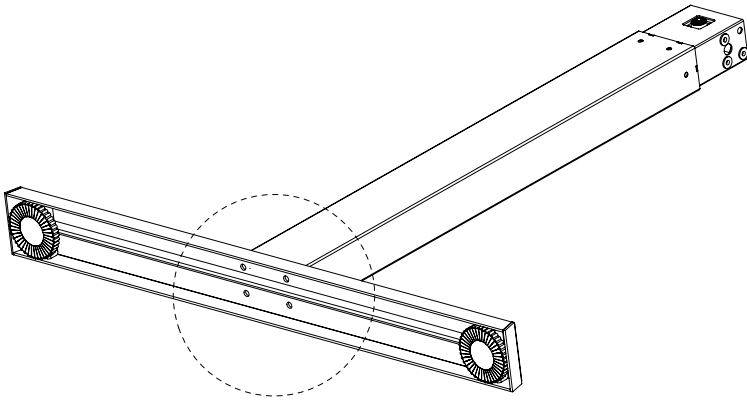
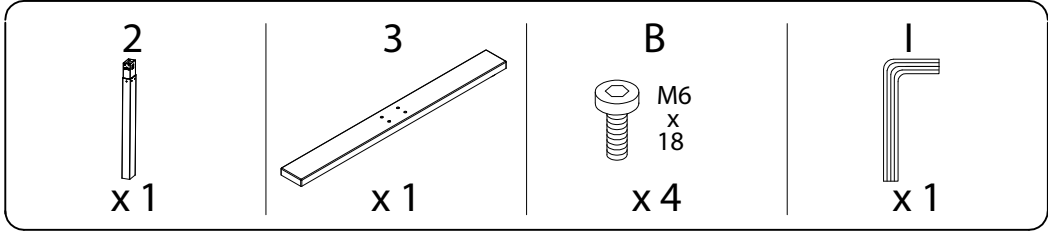
5



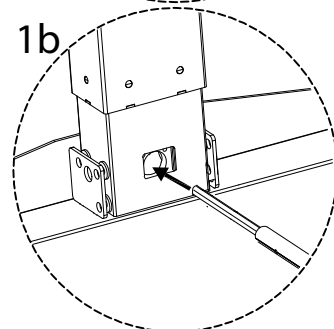
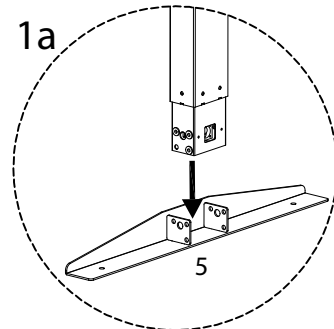
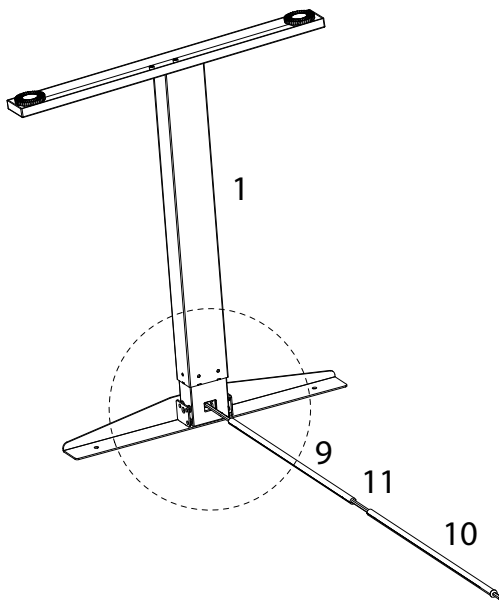
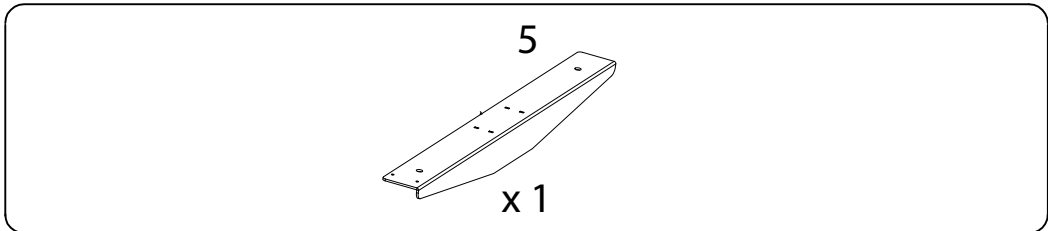
6



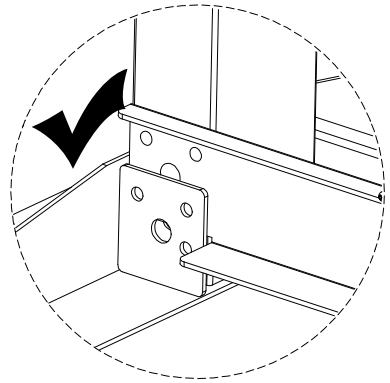
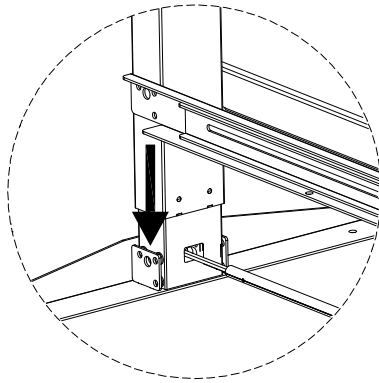
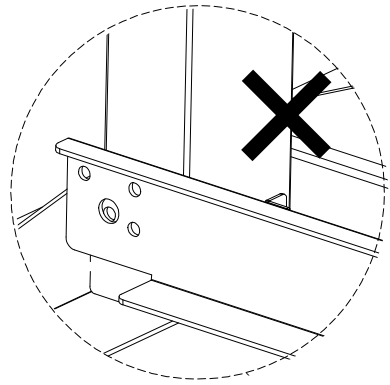
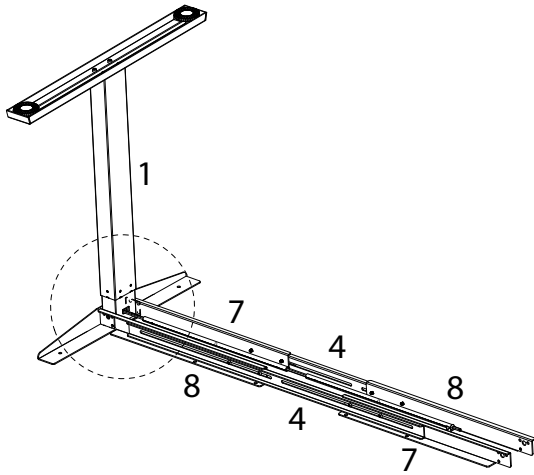
7



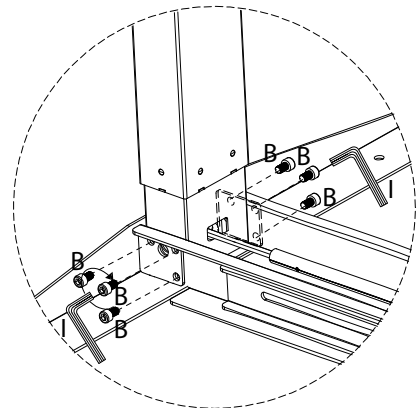
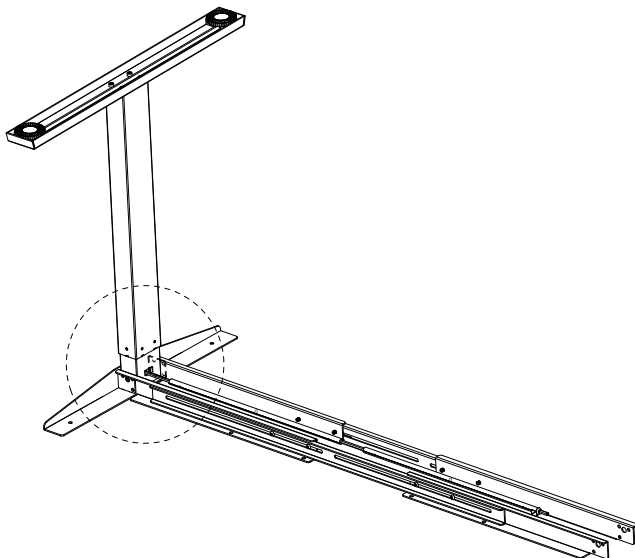
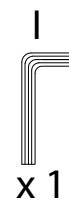
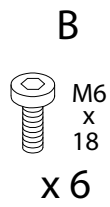
8



9

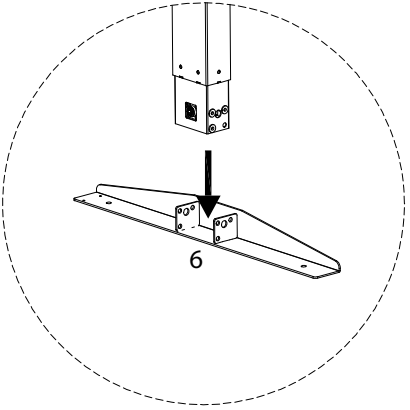
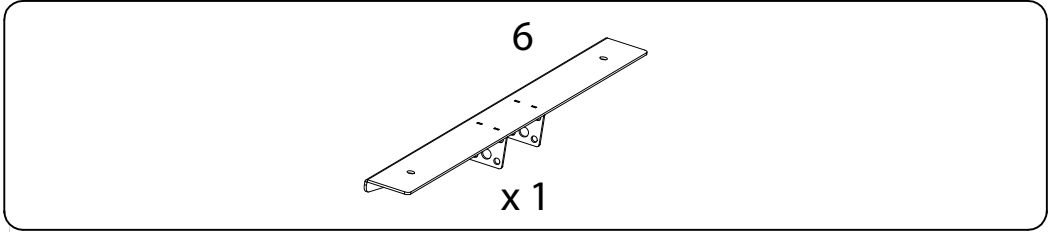
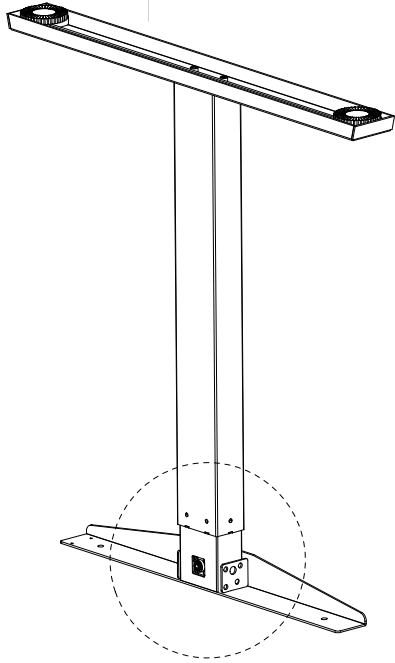


10

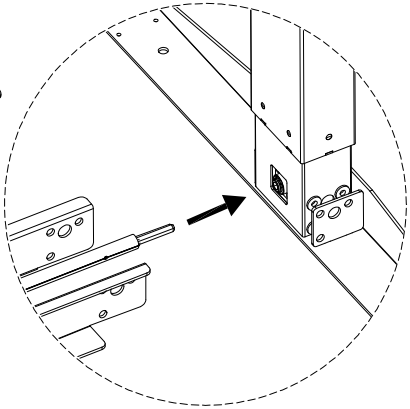
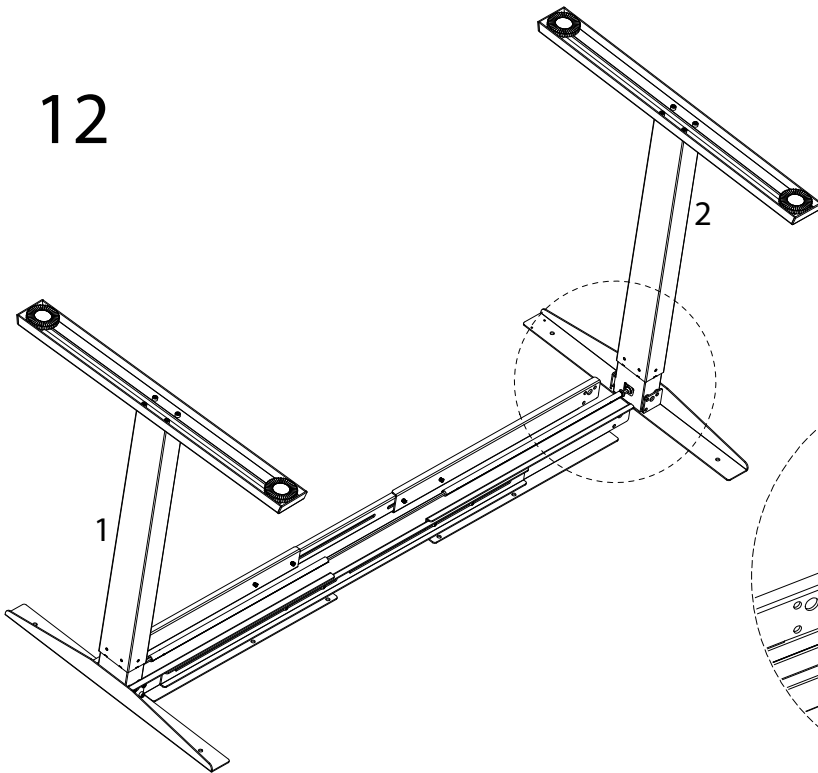




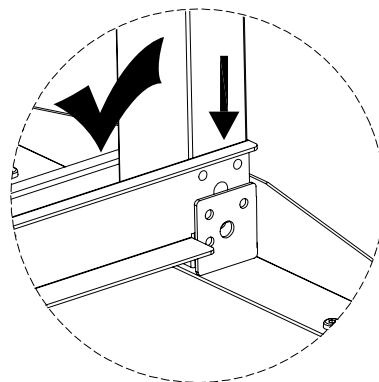
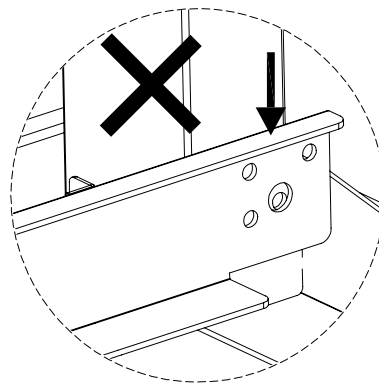
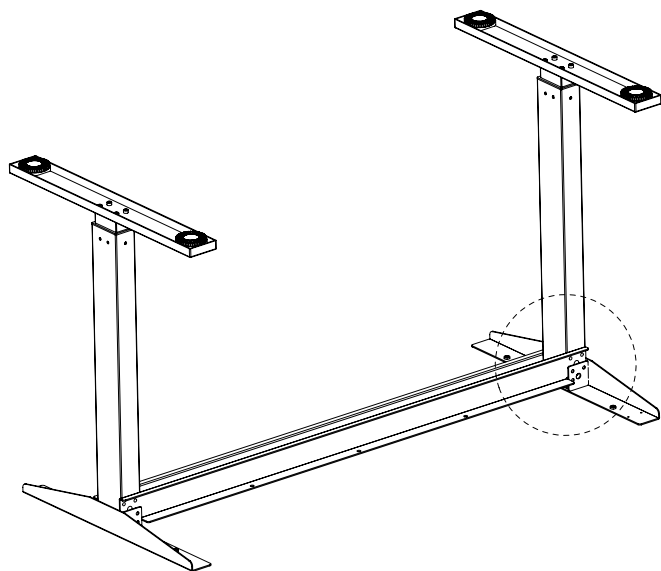
11




12



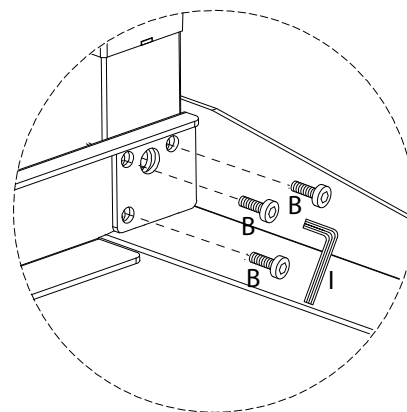
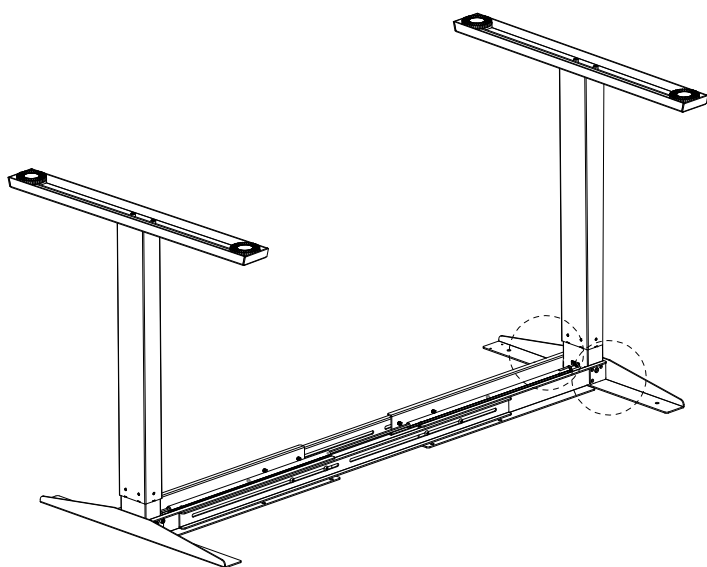
13



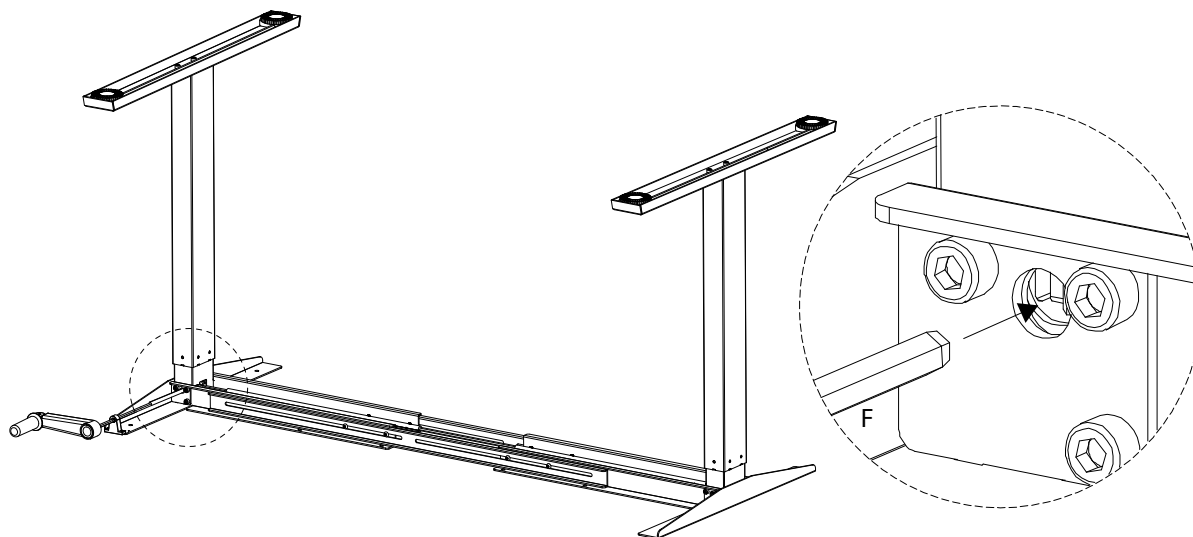
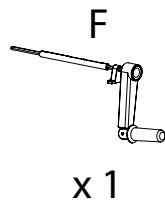
14

**B**  
 M6  
x  
18  
**x 6**

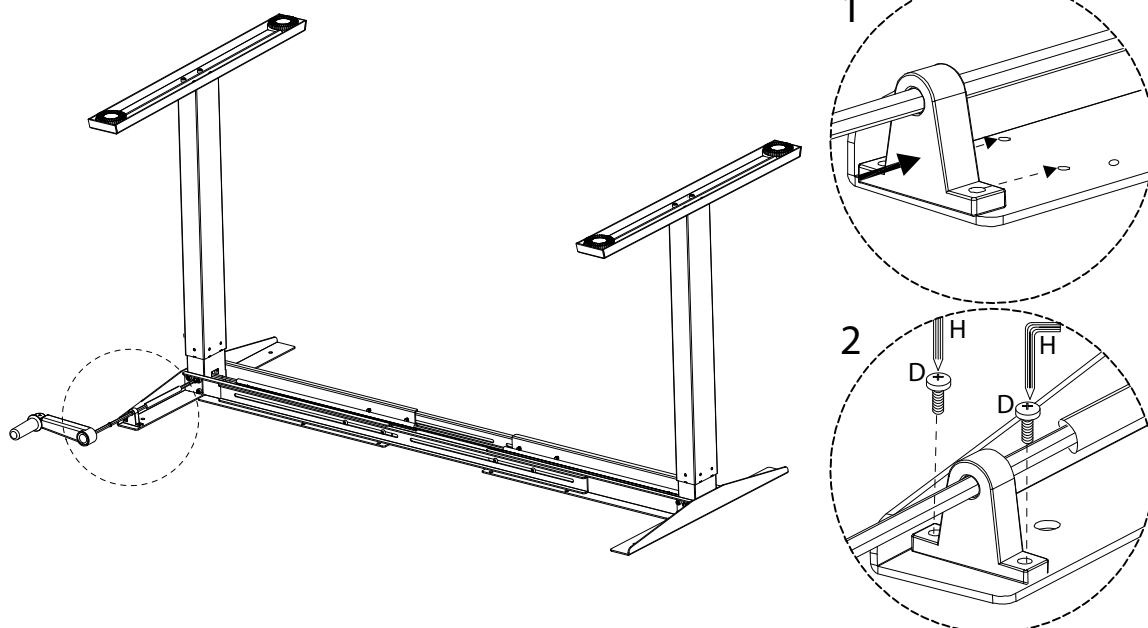
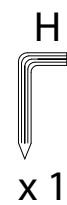
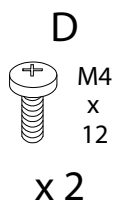
**I**  
  
**x 1**



15

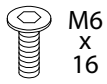


16



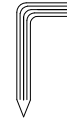
17

E

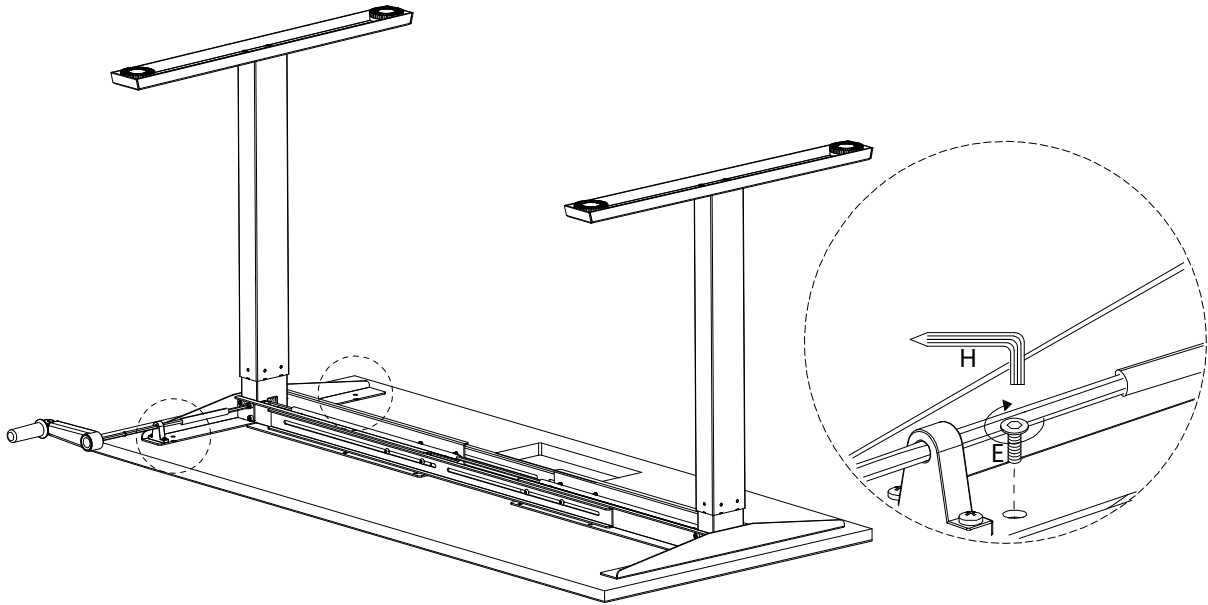


x 2

H

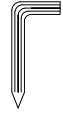


x 1

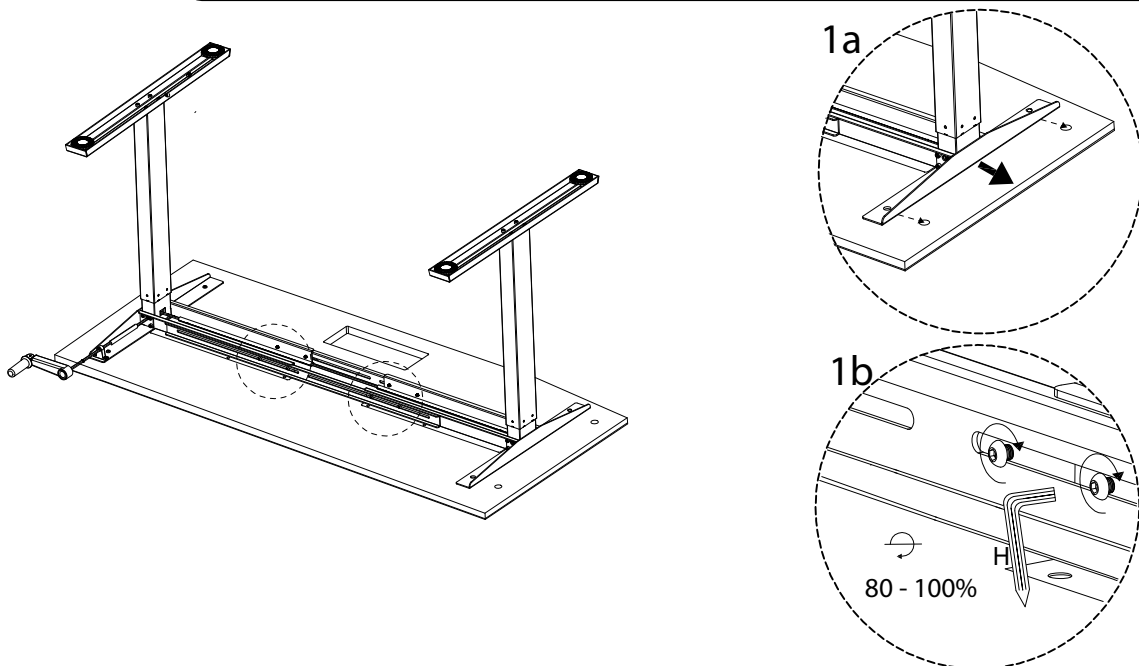


18

H



x 1

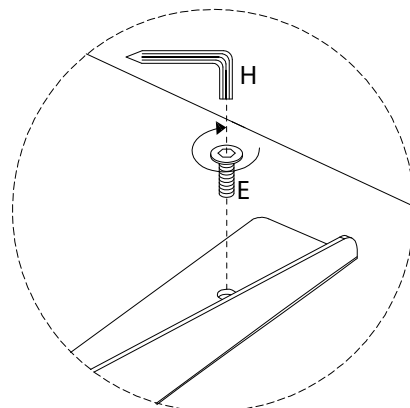
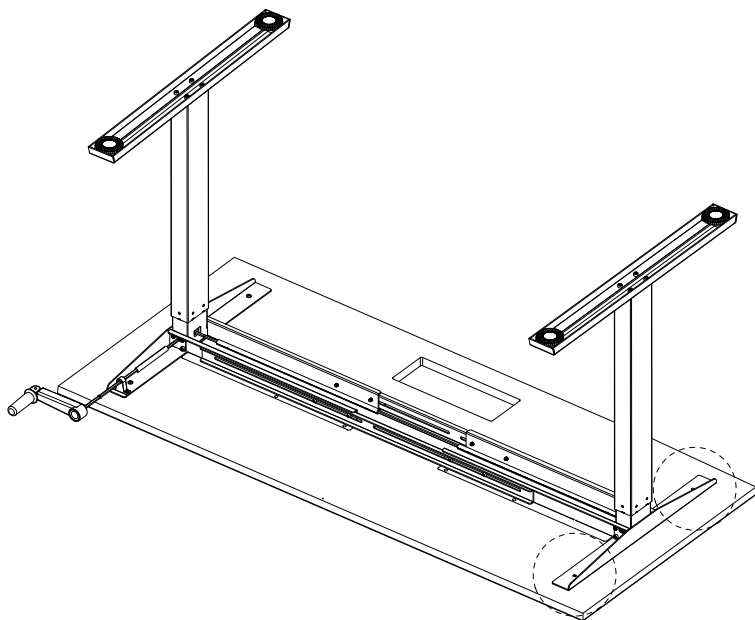


19

E



x 2



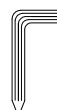
20

E

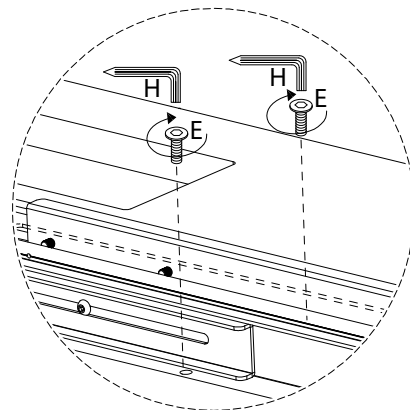
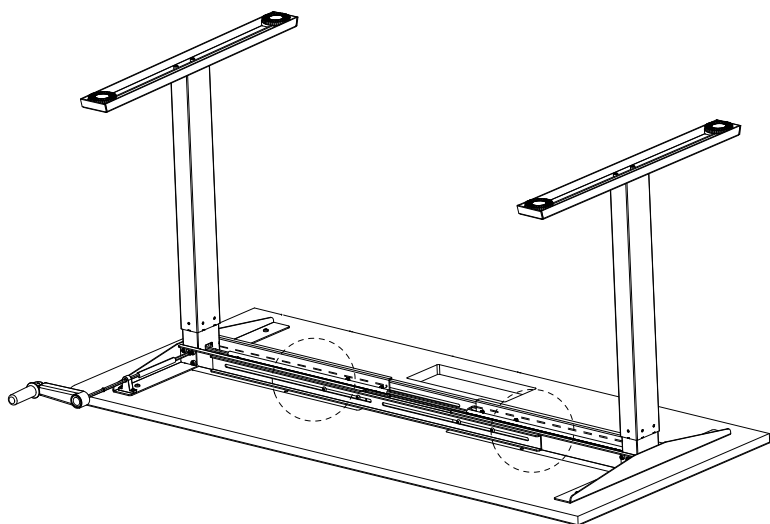


x 4

H



x 1



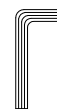
21

A

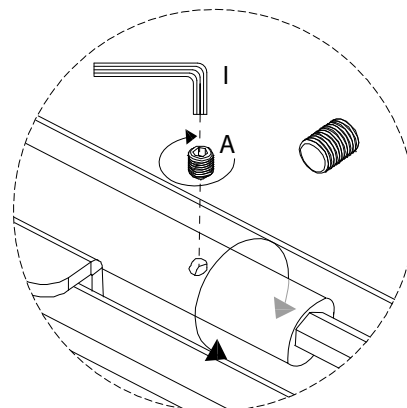
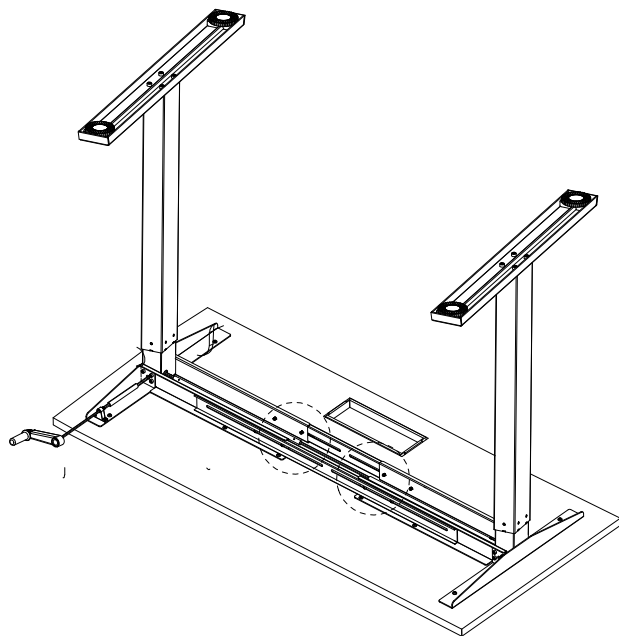


x 2

I



x 1



22

