
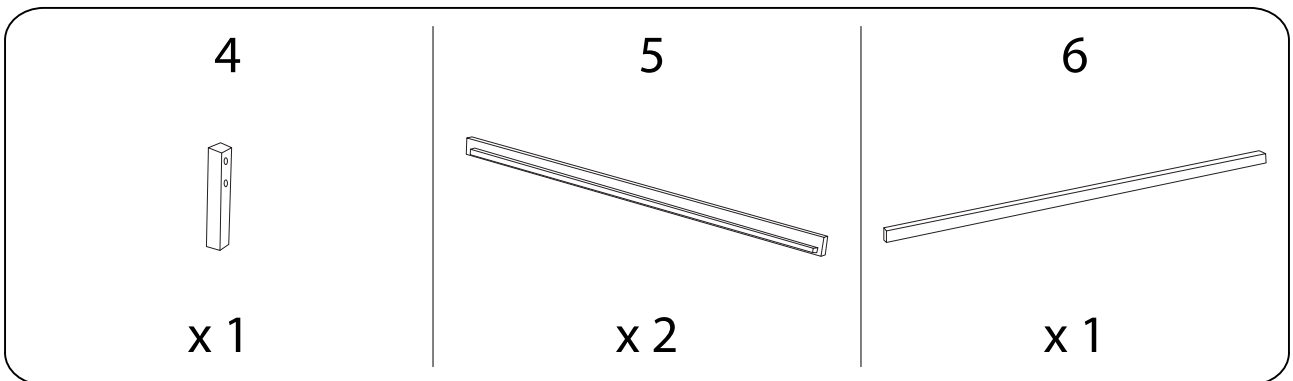
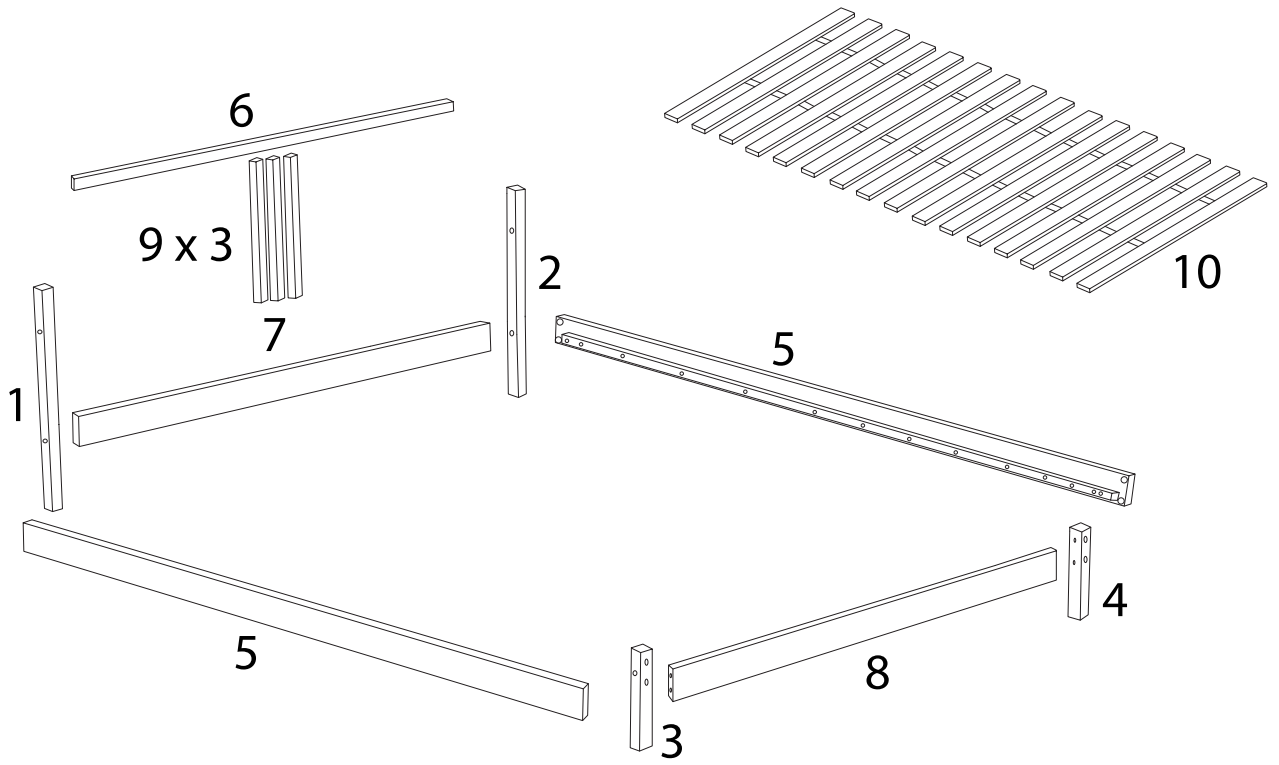
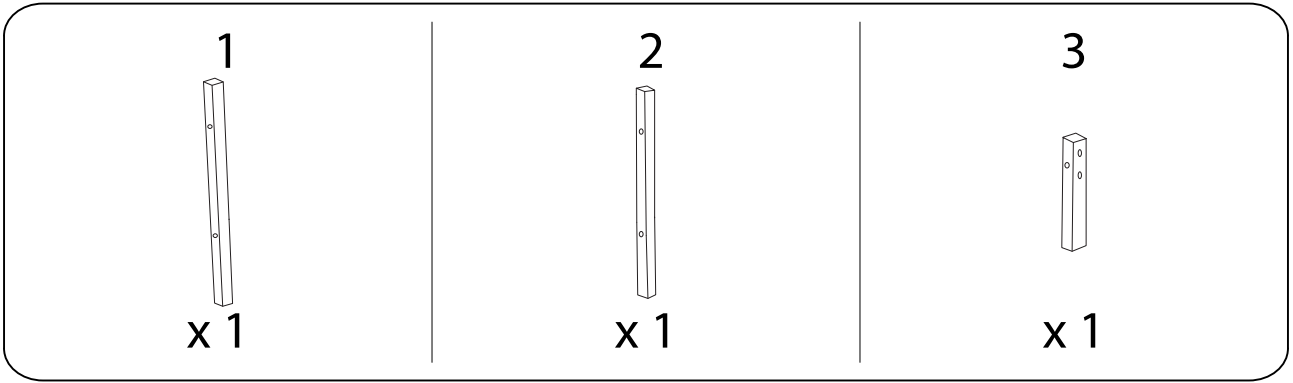
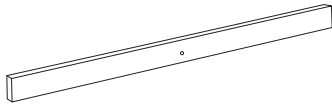
	<p>60'</p>
		
		<p>2</p>

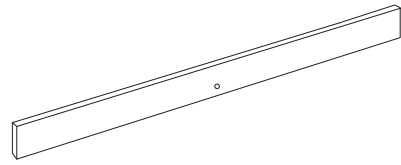


7



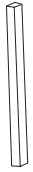
x 1

8



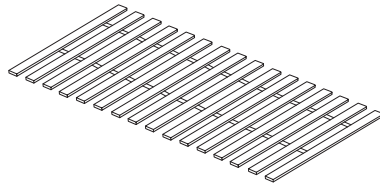
x 1

9



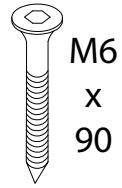
x 3

10



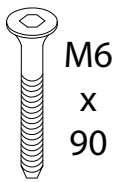
x 1

A



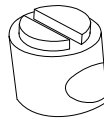
x 2

B



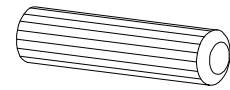
x 12

C



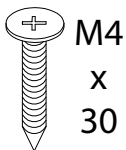
x 12

D



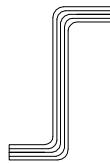
x 14

E



x 30

G



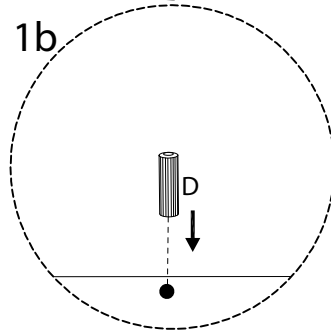
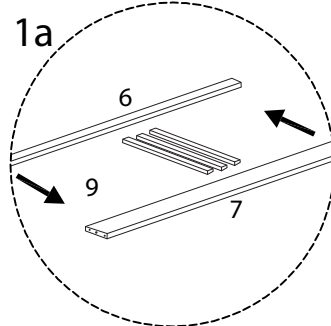
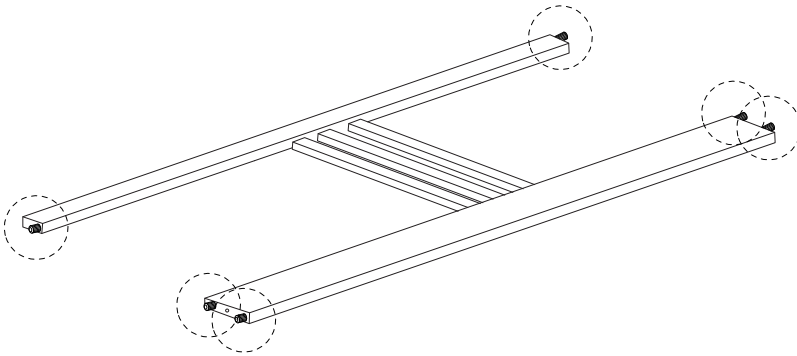
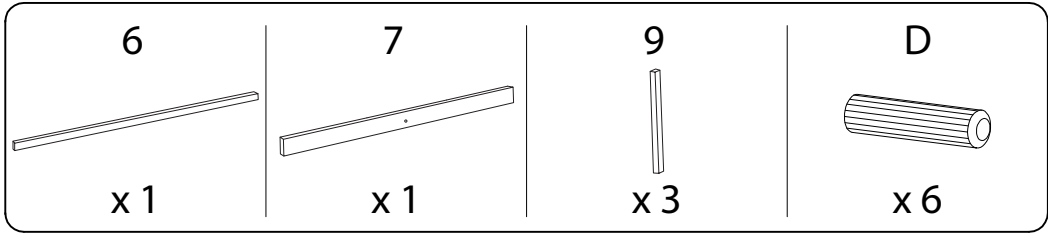
x 1

H

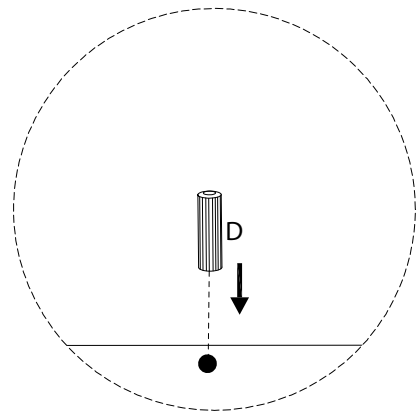
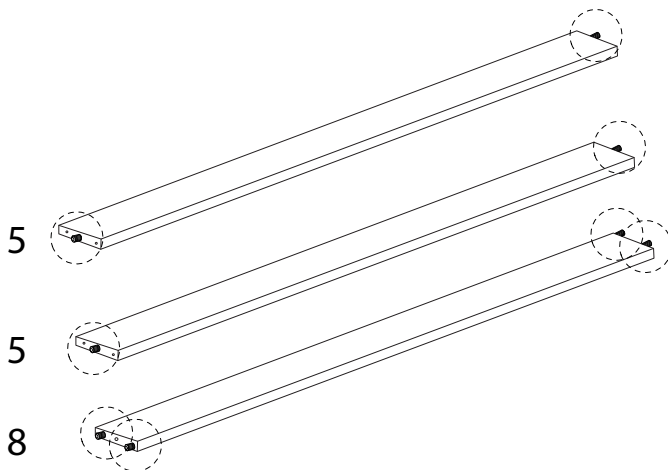
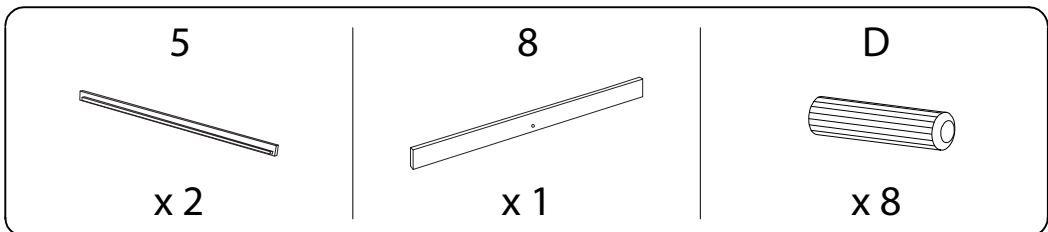


x 14

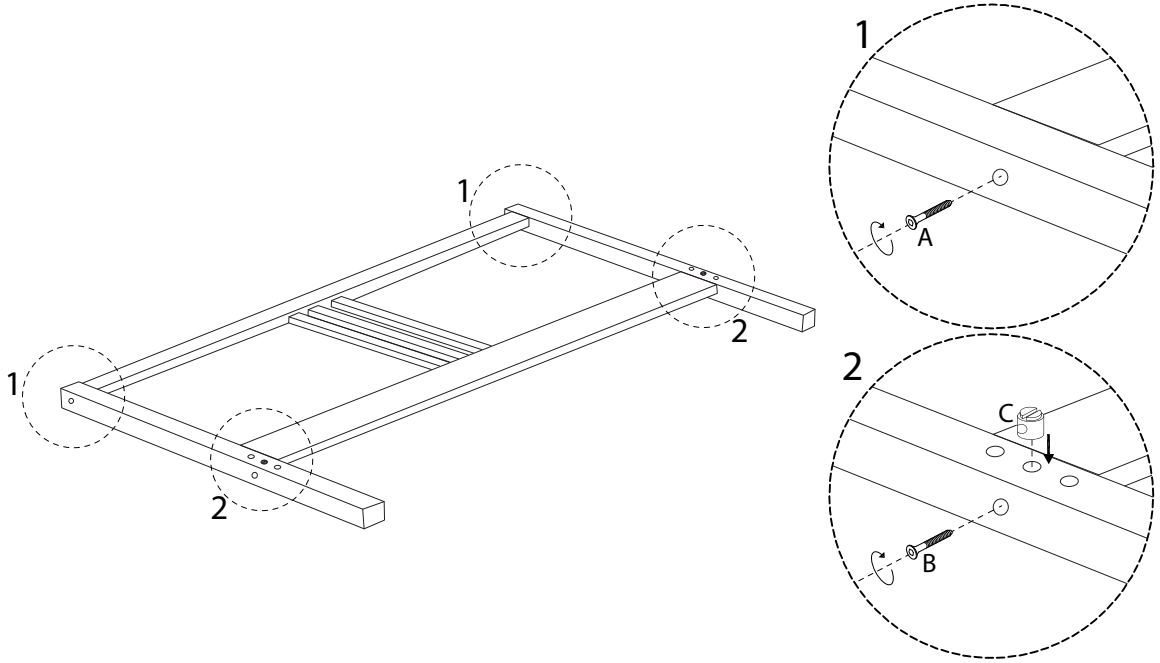
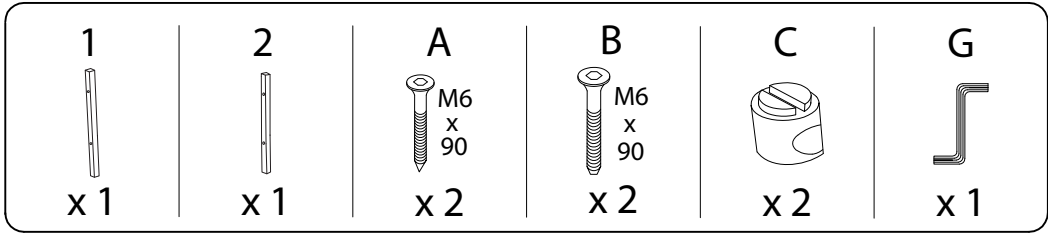
1



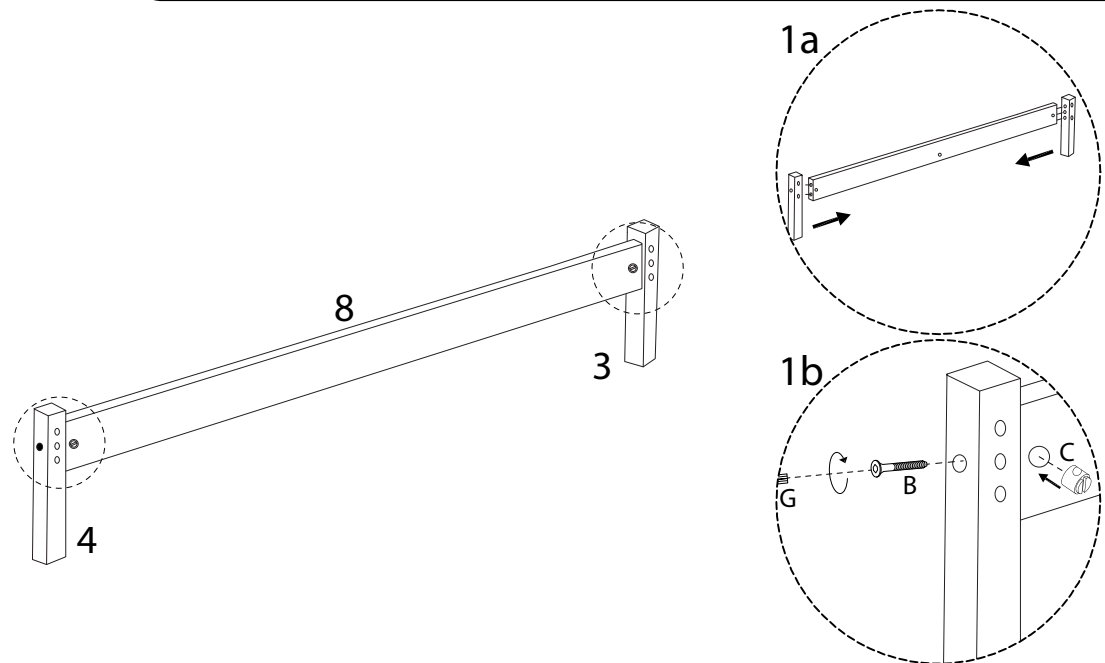
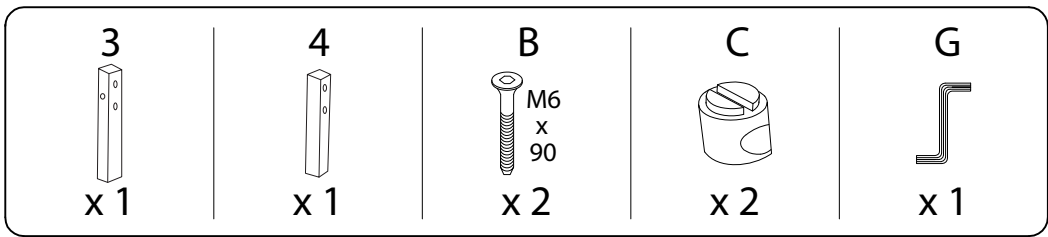
2



3



4

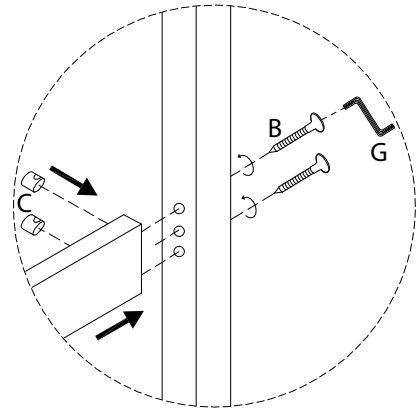
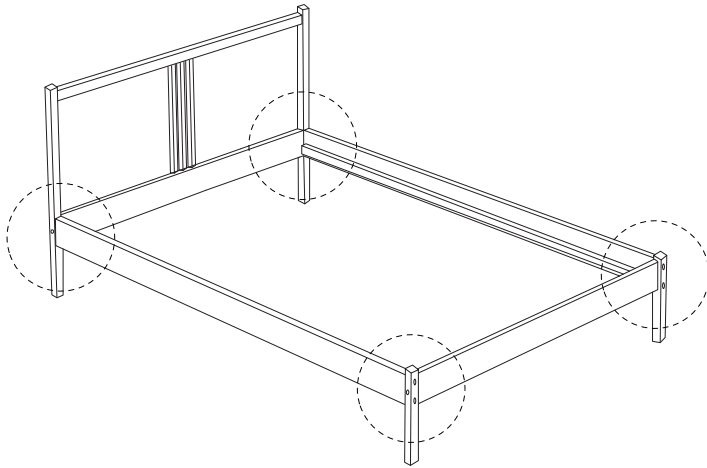


5

B
M6
x
90
x 8

C
x 8

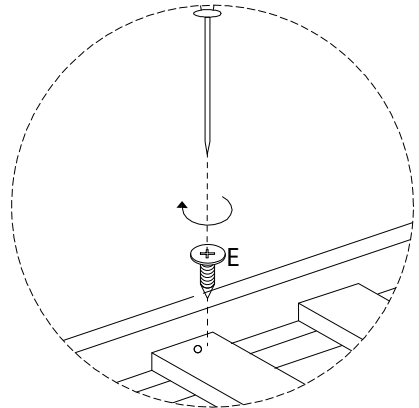
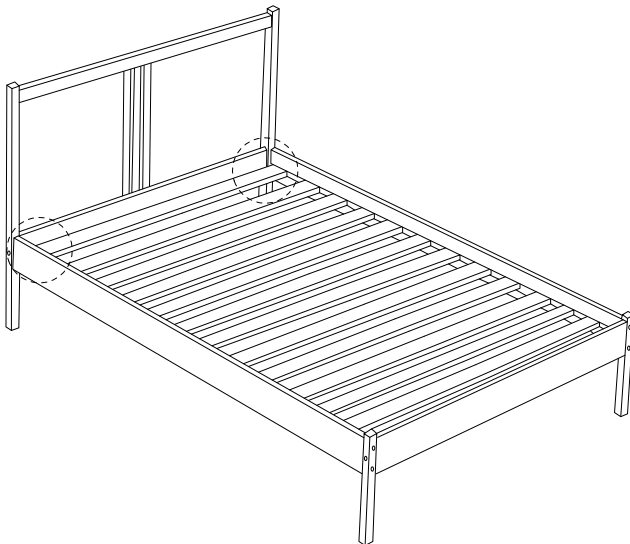
G
x 1



6

10
x 1

E
M4
x
30
x 30



7

H



x 14

