


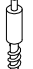







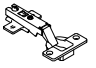






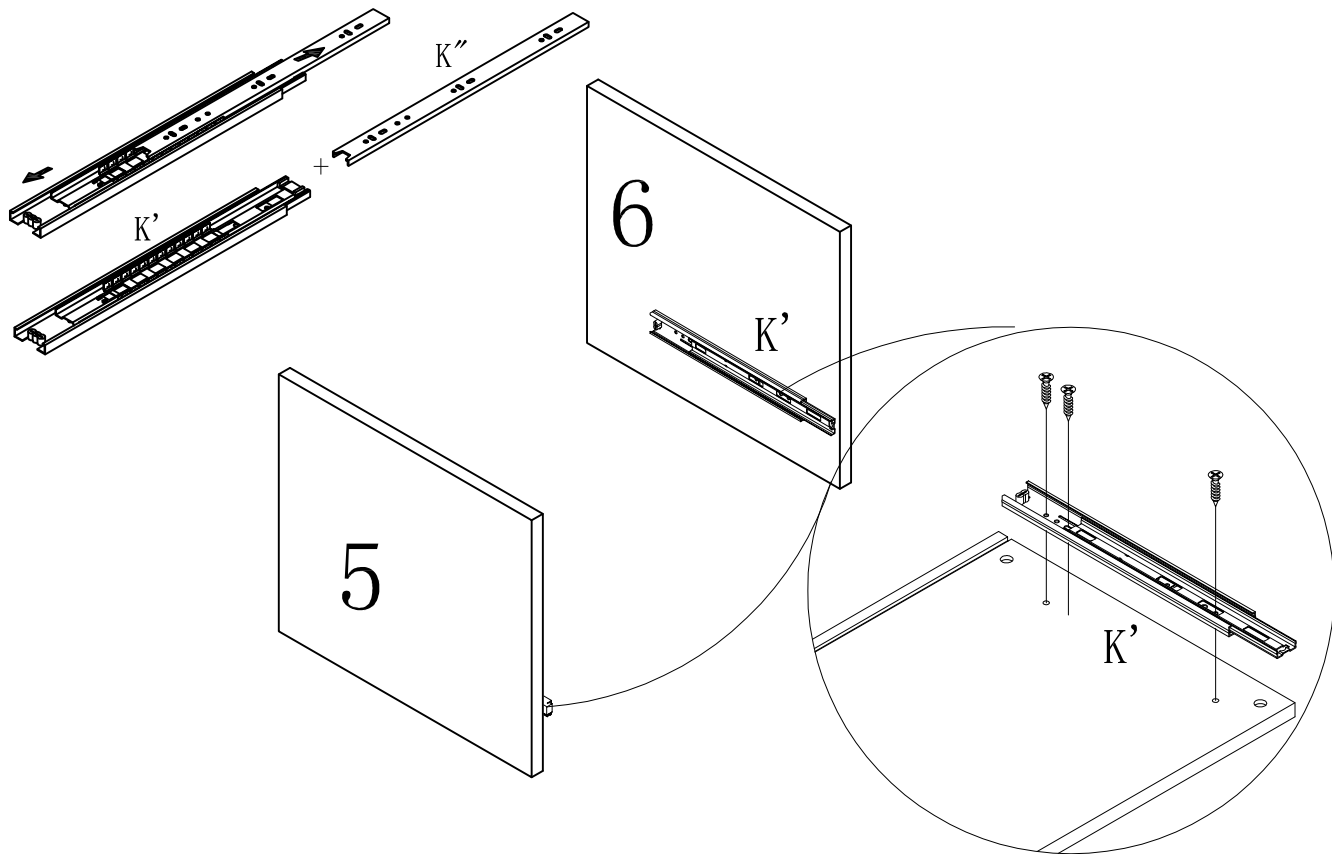
K2GT12

NO.	SIZE	QTY	CTN NO.
1	1630*396*16	1	2-1
2	1630*396*16	1	2-1
3	318*395*16	2	2-2
4	318*360*16	1	2-2
5	318*360*16	1	2-2
6	318*360*16	1	2-2
7	462*60*16	2	2-1
8	1606*328*5	1	2-1
9	376*314*16	1	2-2
10	376*314*16	2	2-2
11	458*160*16	1	2-1
12	350*110*12	2	2-2
13	413*110*12	1	2-1
14	423*344*5	1	2-1
15	460*376*12	2	2-1
16	128*375*12	2	2-2



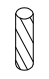
		
A M6*10mm 24pcs	B $\phi 15 \times 13.5$ 24pcs	C $\phi 8 \times 30$ 24pcs
		
D $\phi 12 \times 10$ mm 4set	E M*H4 12pcs	F M*H30 4pcs
		
G M*H30 8pcs	H M6*12mm 5pcs	I M4*20mm 4pcs
		
J / 4pcs	K $\phi 2$ 1pa	L Small bend 2pcs
		
M big bend 4pcs	N M*H25 2pcs	

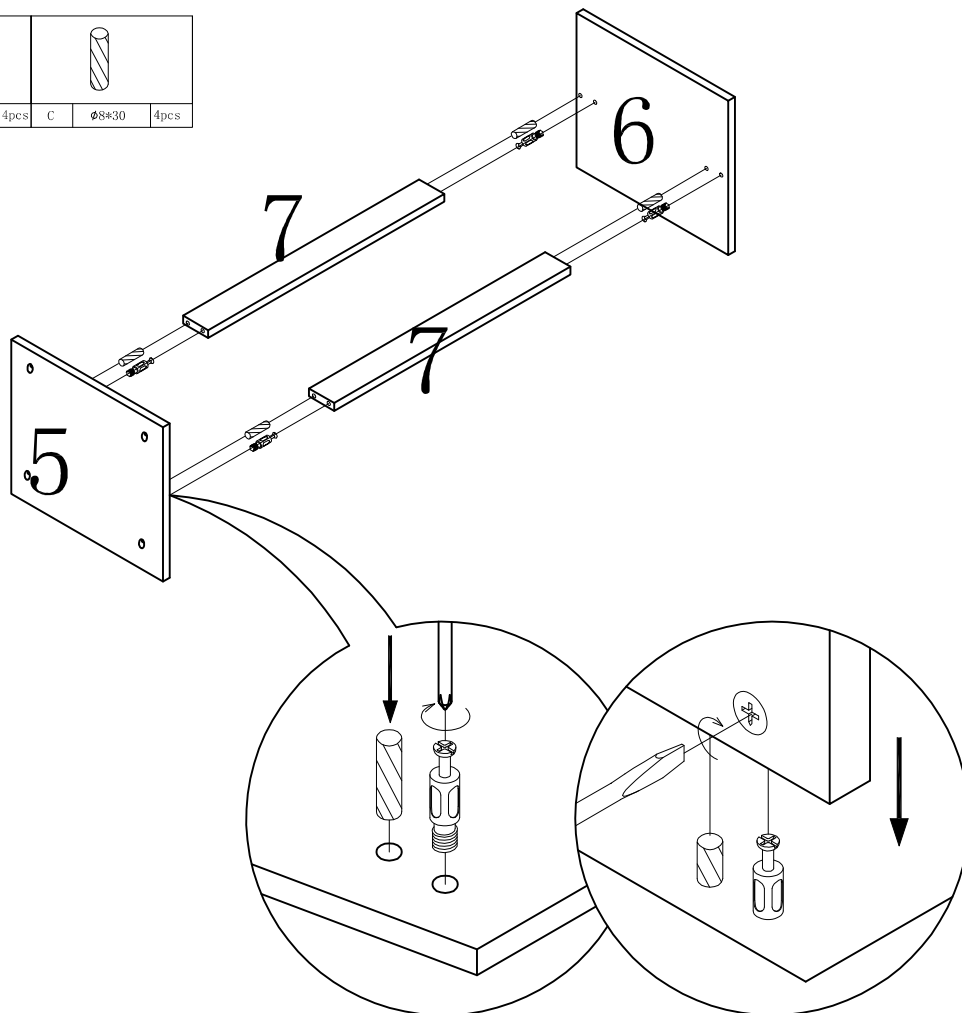
STEP 1:

					
K	12'	1pa	E	M4*14	6pcs






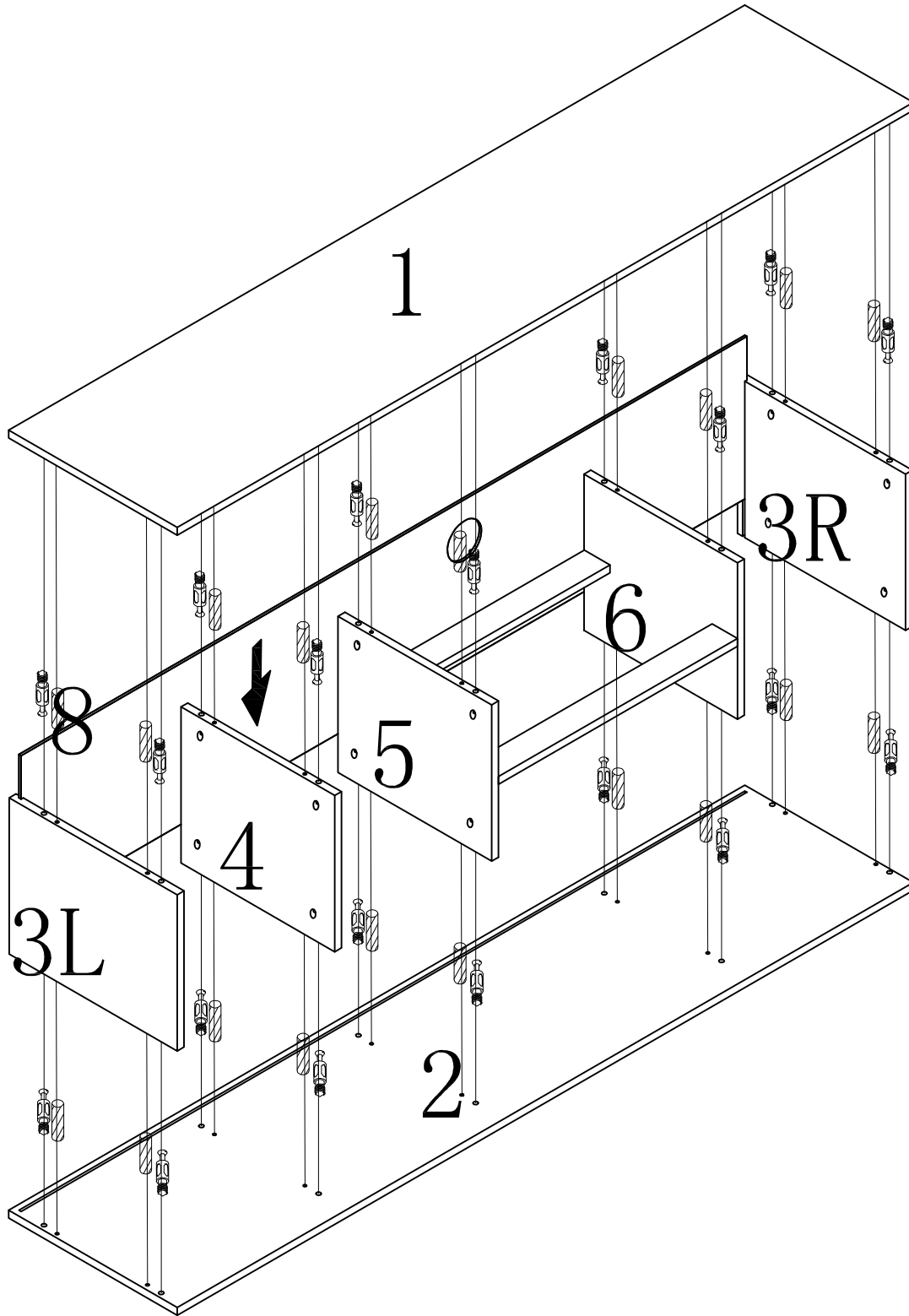
STEP 2:

								
A	M6*40mm	4pcs	B	Ø15*13.5	4pcs	C	Ø8*30	4pcs

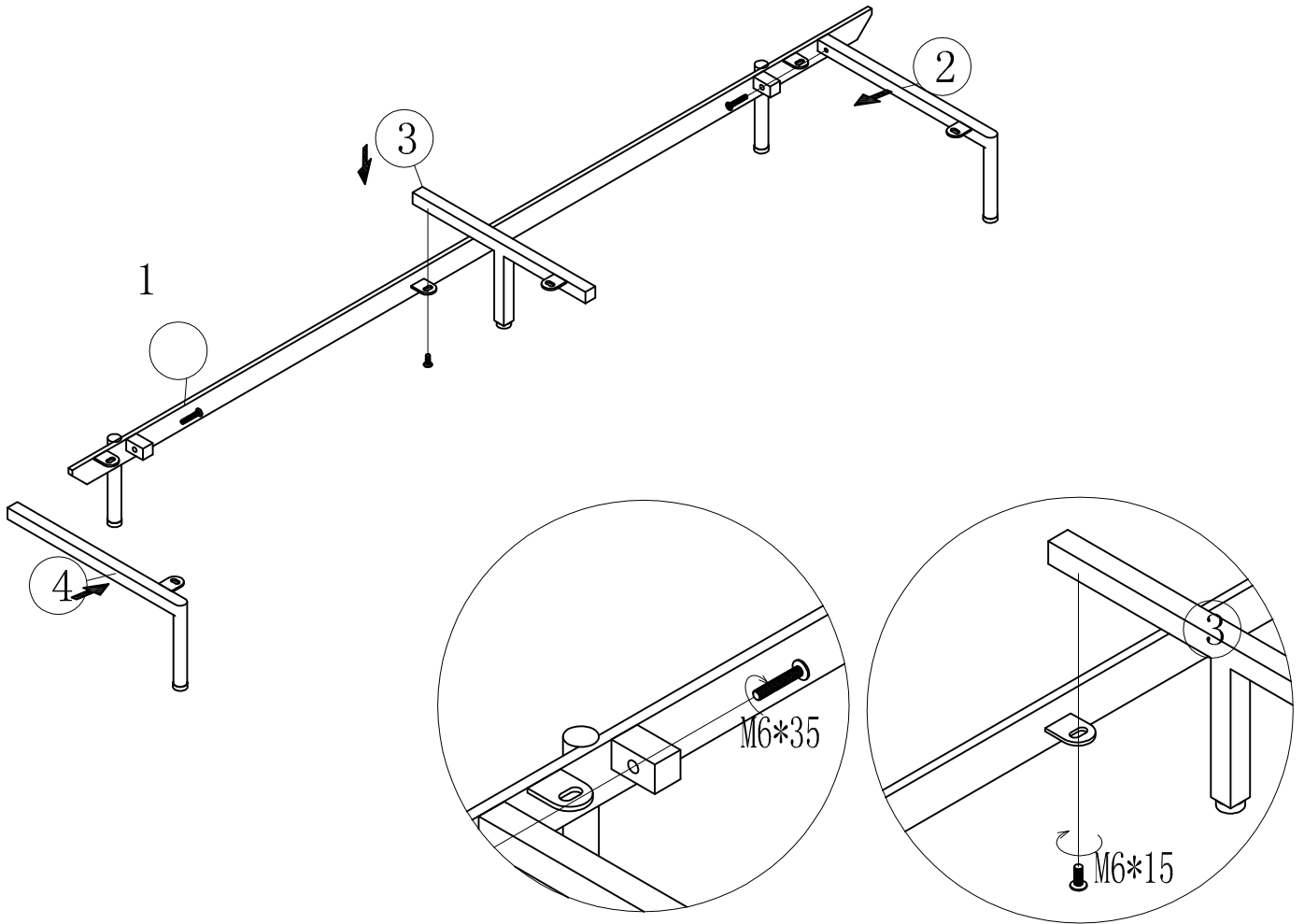


STEP 3:

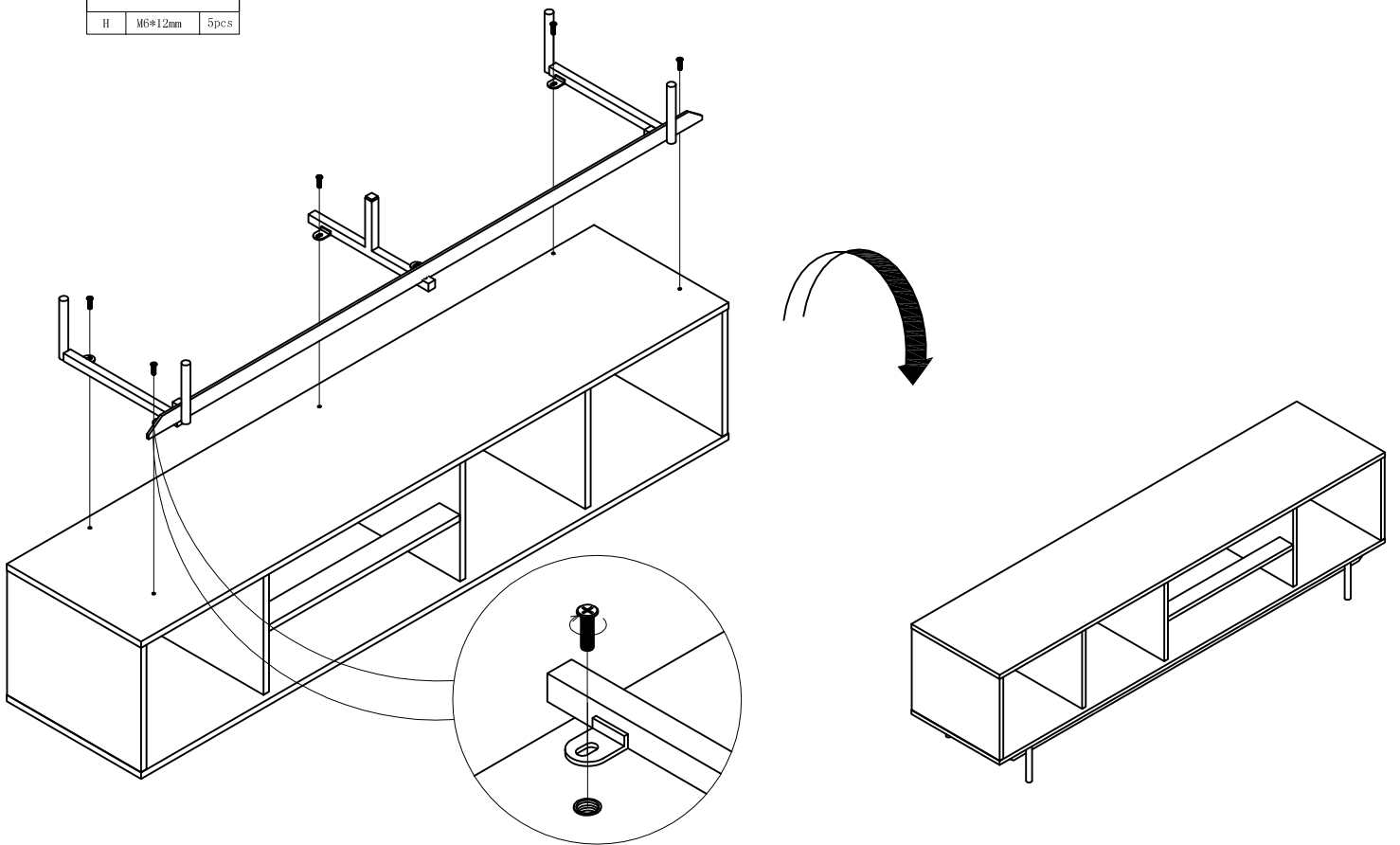
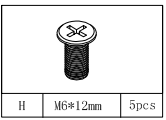
		
A	M6*40mm	20pcs
B	Ø15*13.5	20pcs
C	Ø8*30	20pcs



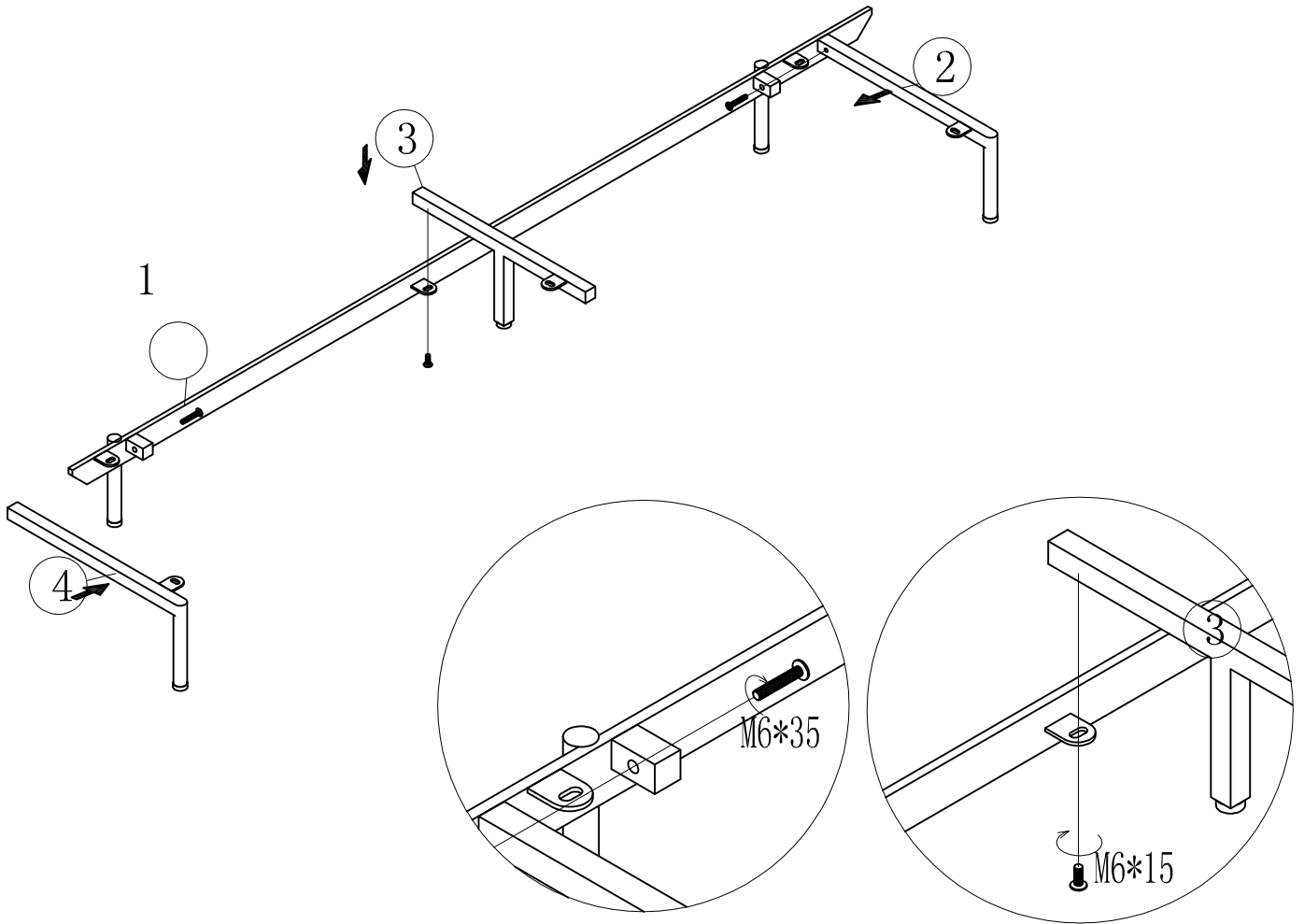
STEP 4:



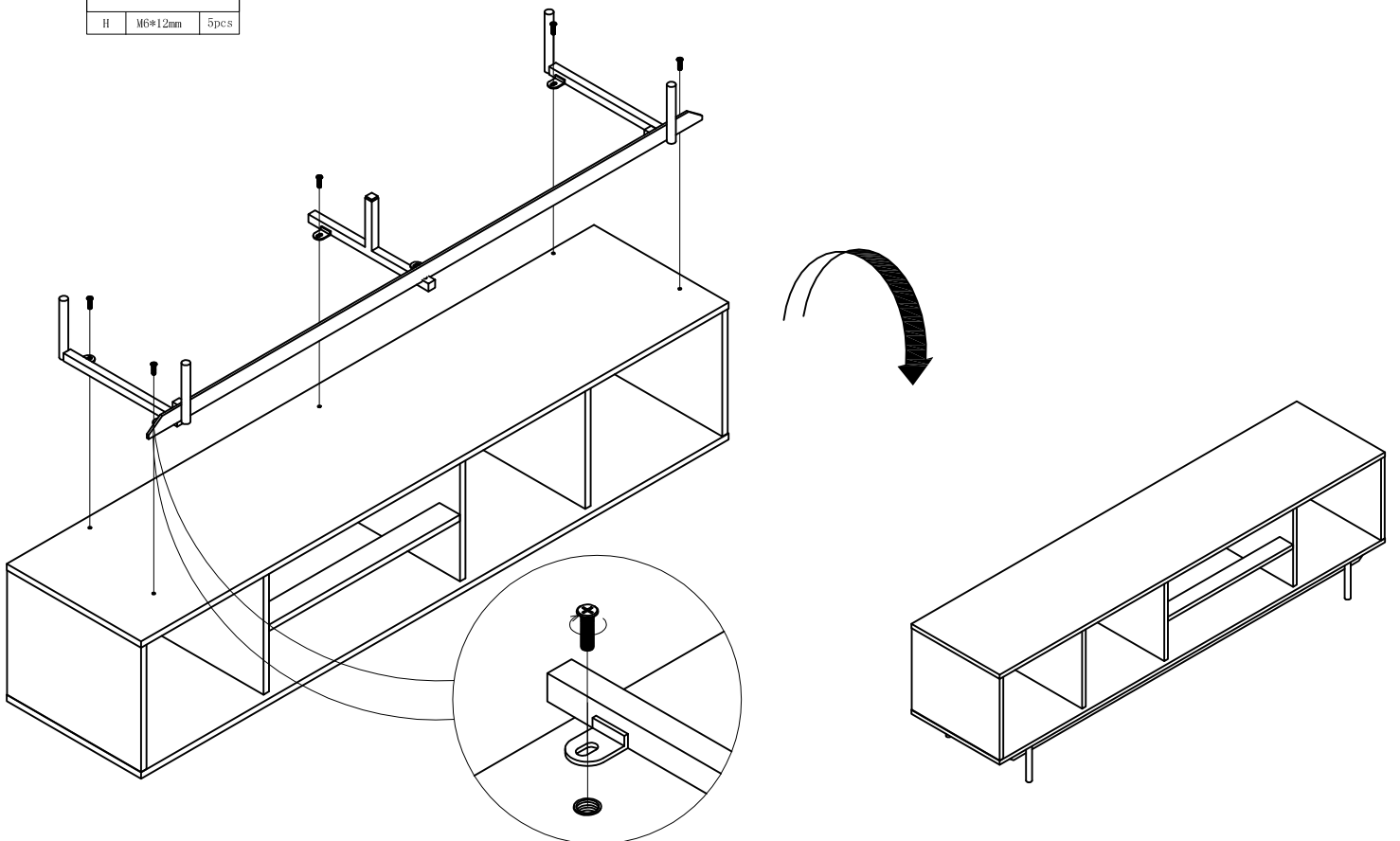
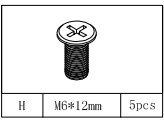
STEP 5:









STEP 4:

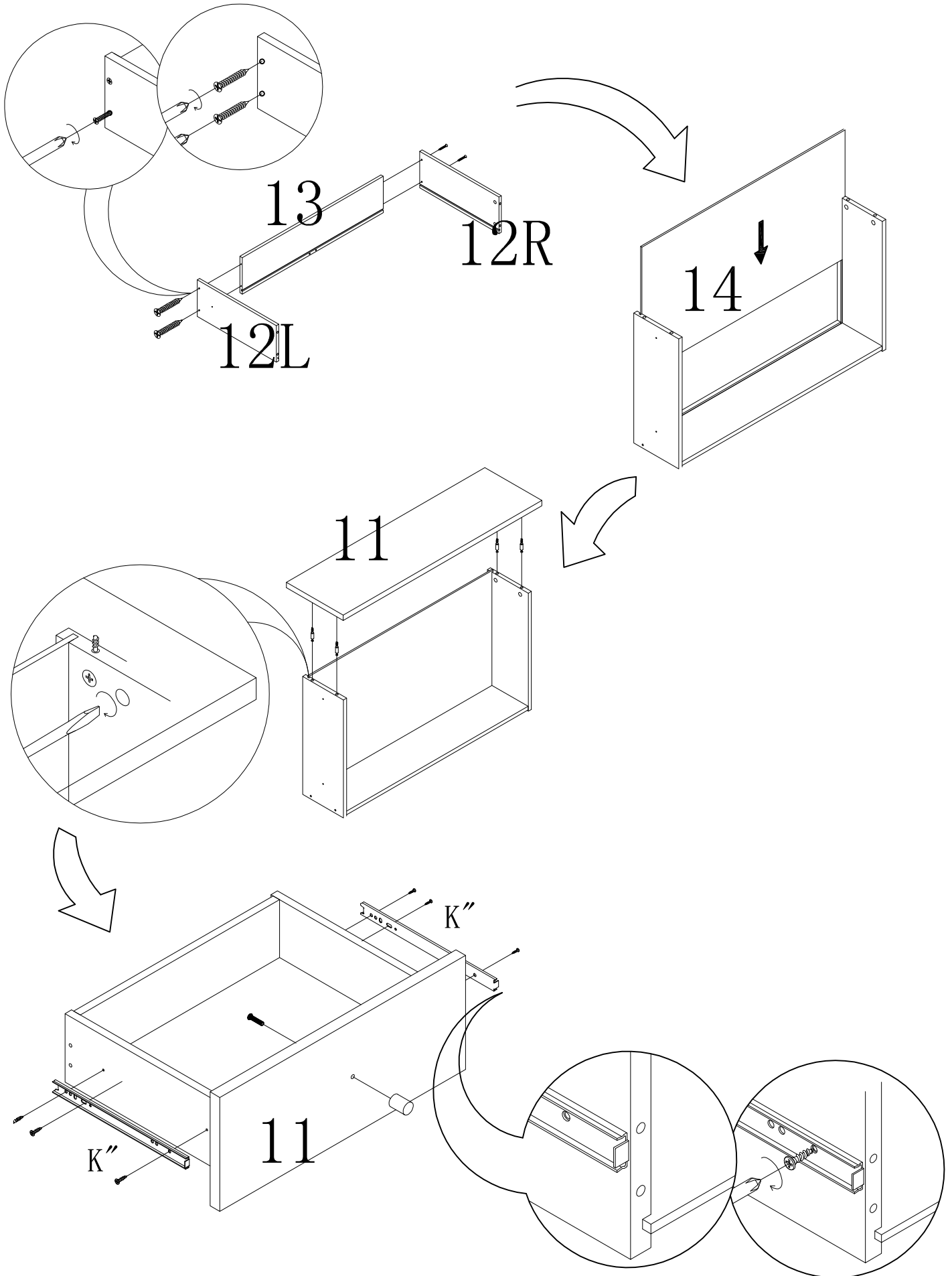


STEP 5:




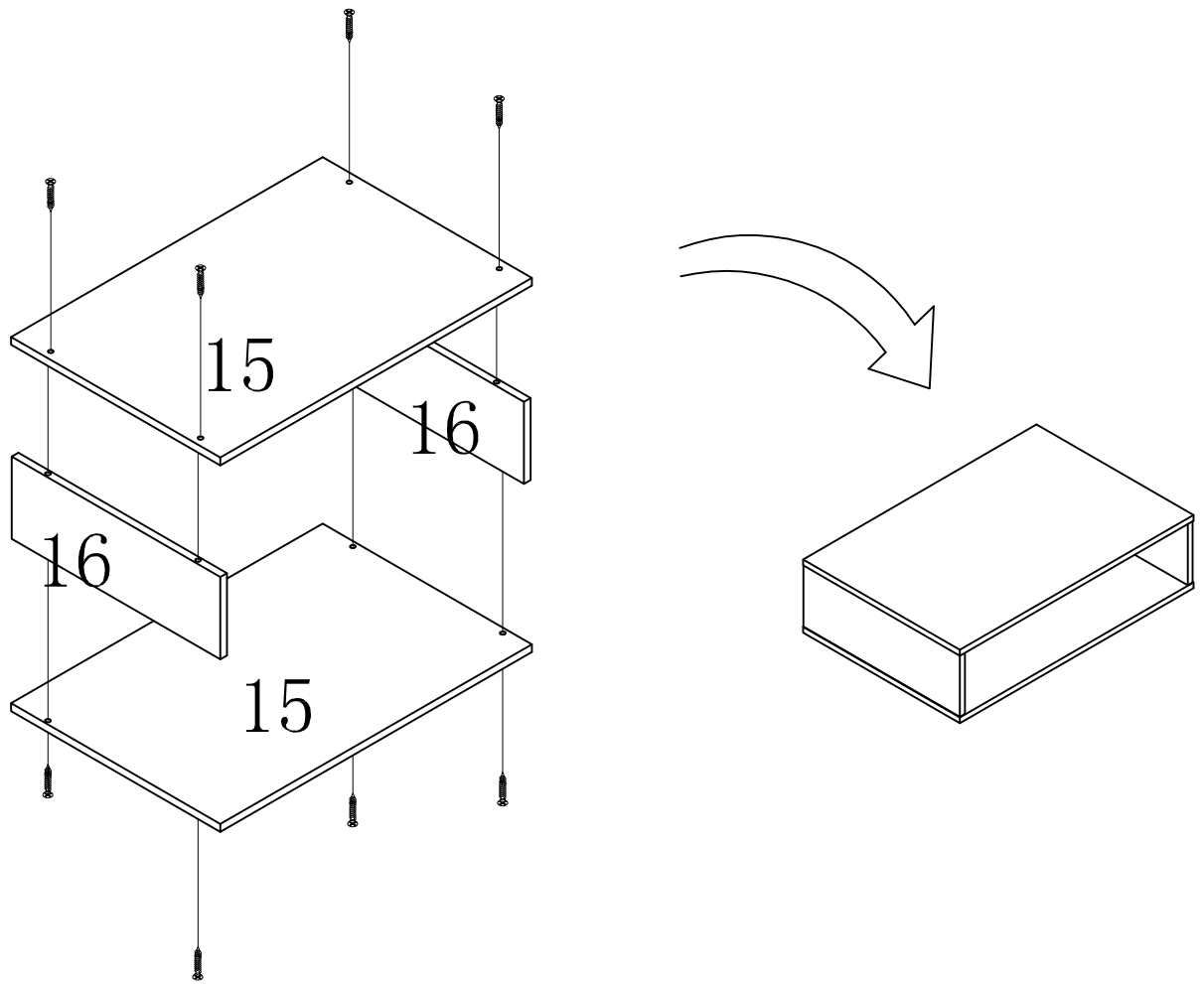
STEP 6:

					
D	E	F	K	J	I
Ø12*10mm	M#14	M#30	12'	/	M4*20mm
8set	6pcs	8pcs	1pa	1pcs	1pcs







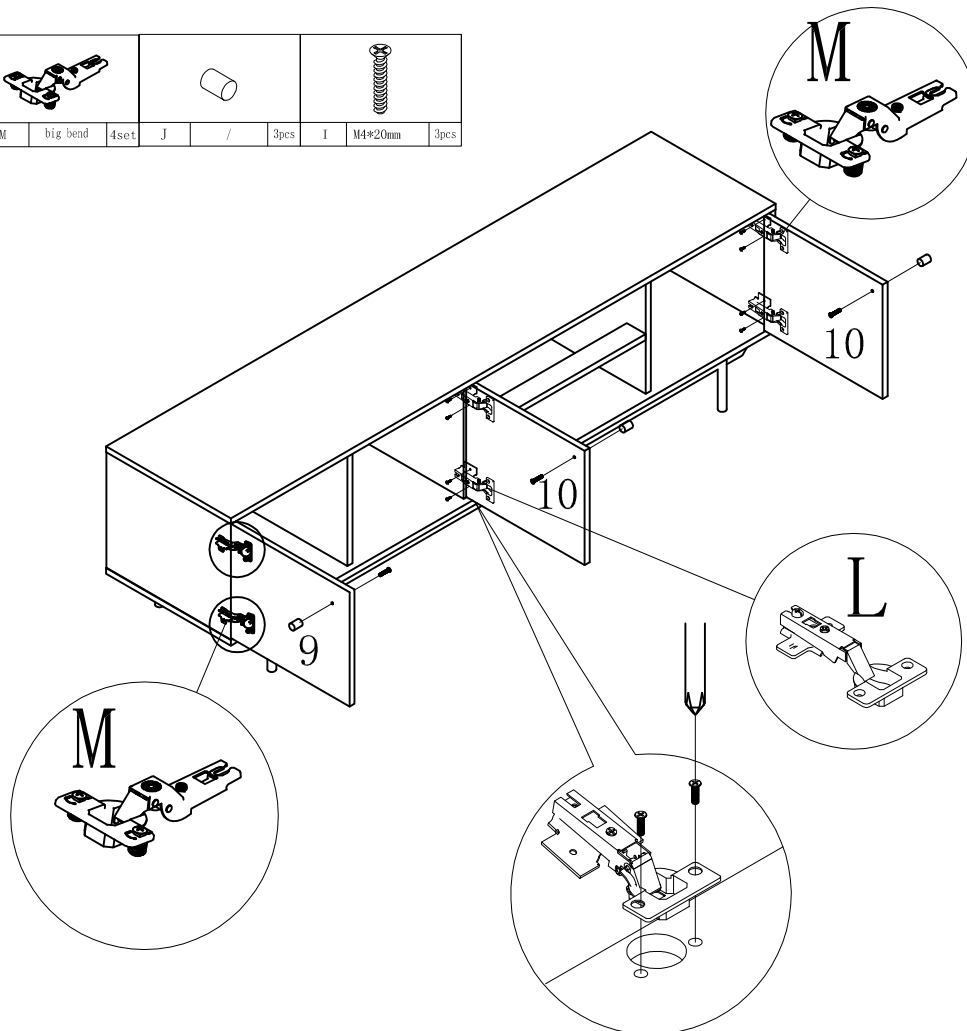
STEP 7:

 white		
G	M4*30	8pcs

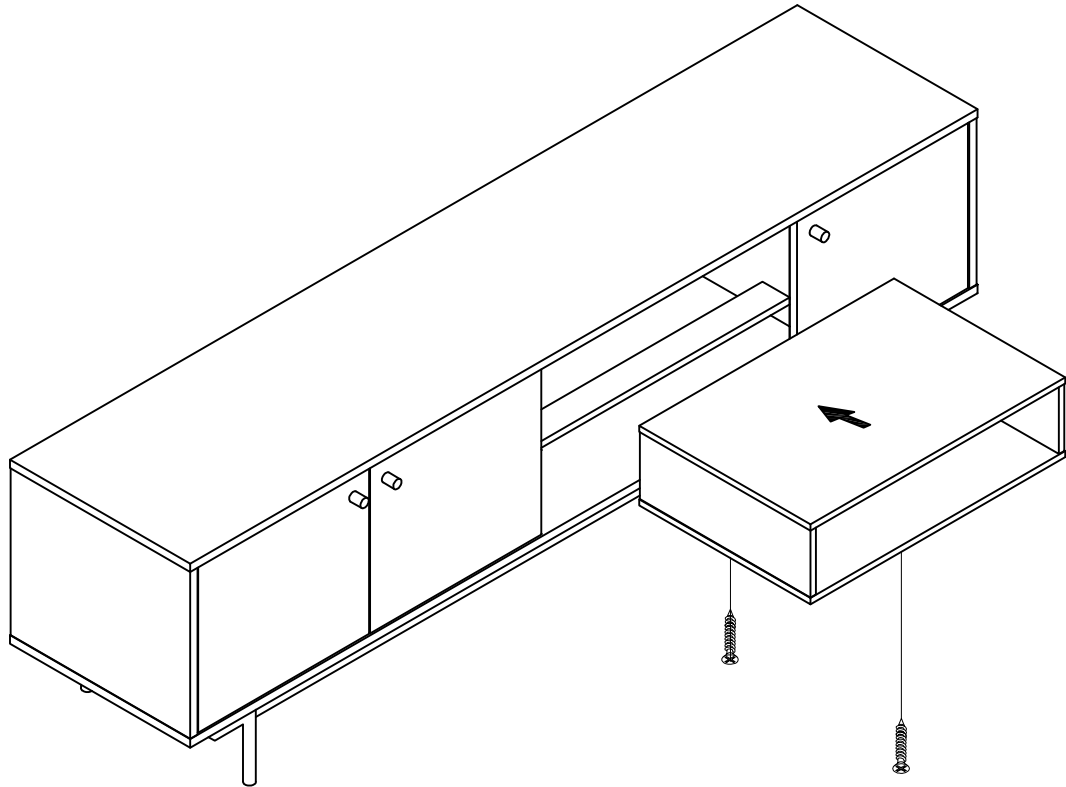
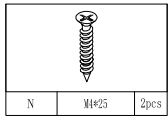


STEP 8:

											
L	Small bend	2set	M	big bend	4set	J	/	3pcs	I	M4*20mm	3pcs



STEP 9:



STEP 10:

