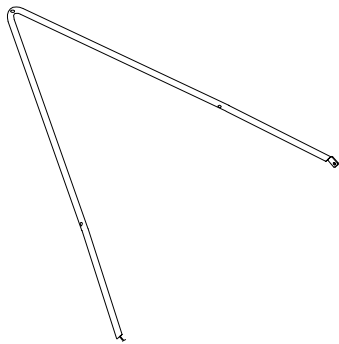
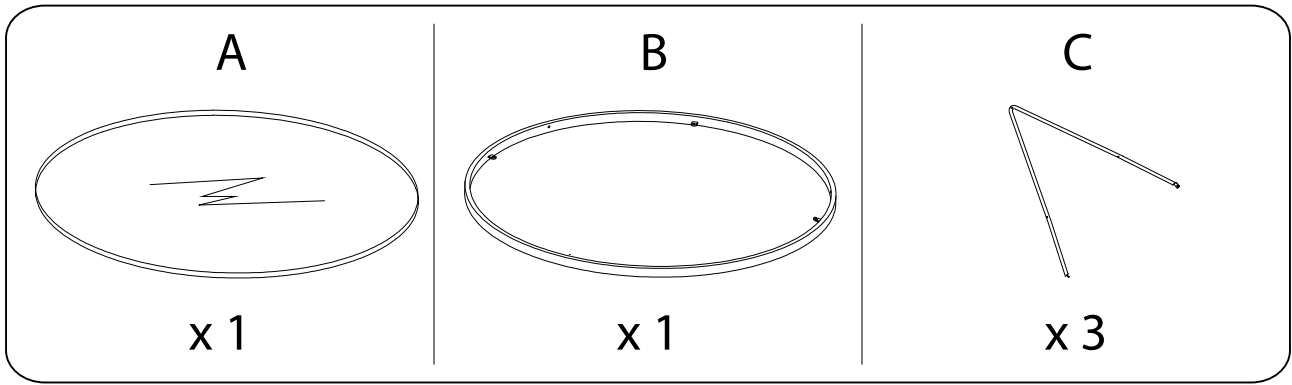


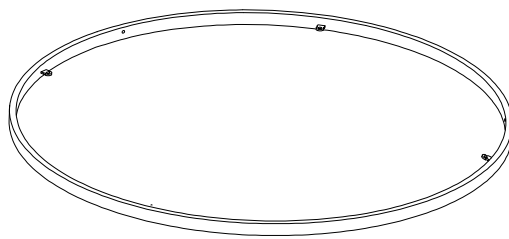
Assembly instructions for step 1/5:

- Tools:** A hex key is shown as the required tool. A power drill is shown with a diagonal line through it, indicating it is not to be used.
- Warnings:** Two warning triangles with exclamation marks are present. One points to the power drill, and the other points to a diagram of a leg being inserted into a hole.
- Time:** A clock icon indicates a 30-minute assembly time.
- Personnel:** An icon of a person indicates that one person is required for assembly.

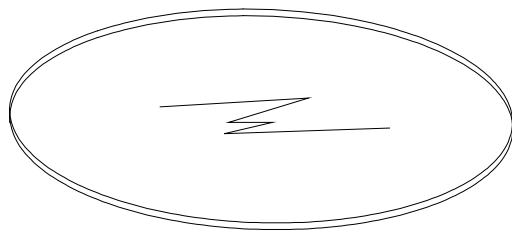
1/5



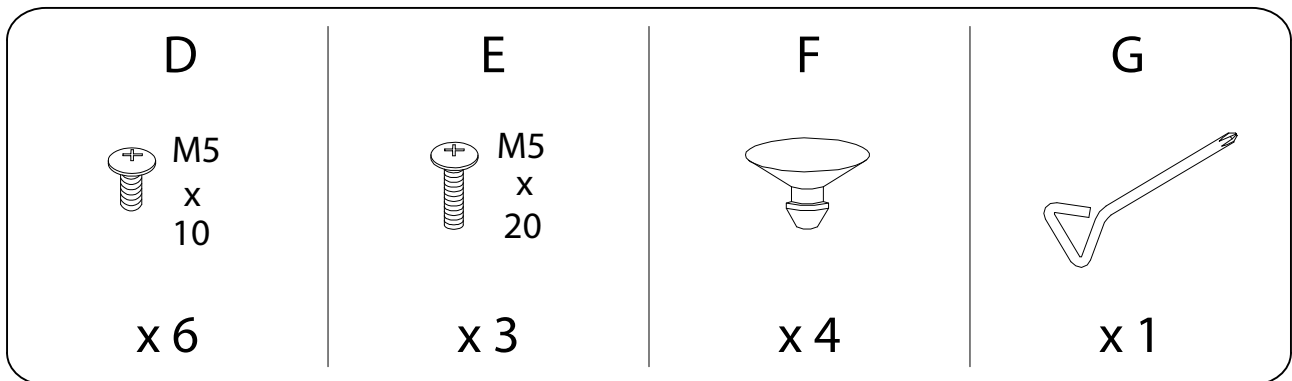
C x3



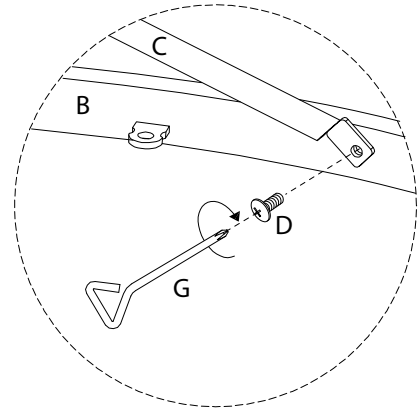
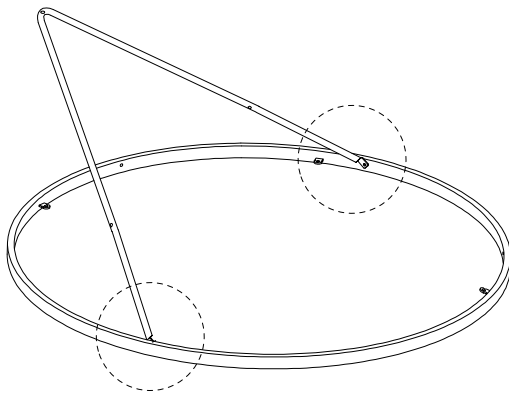
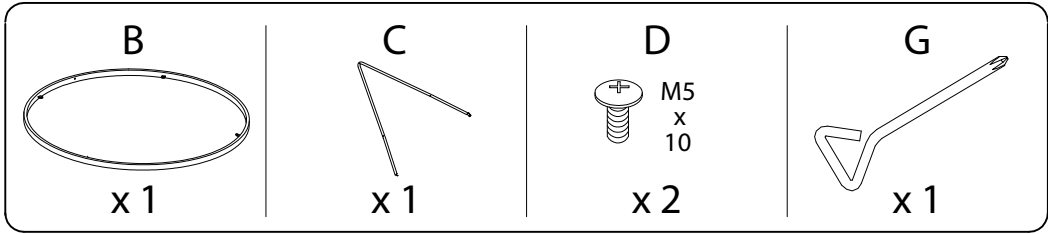
B



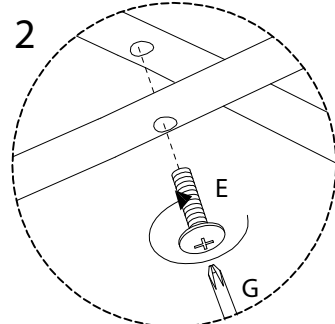
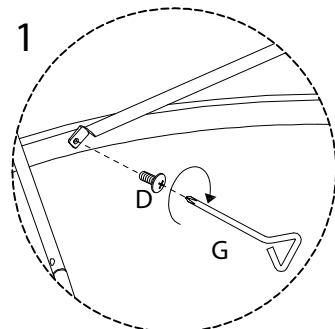
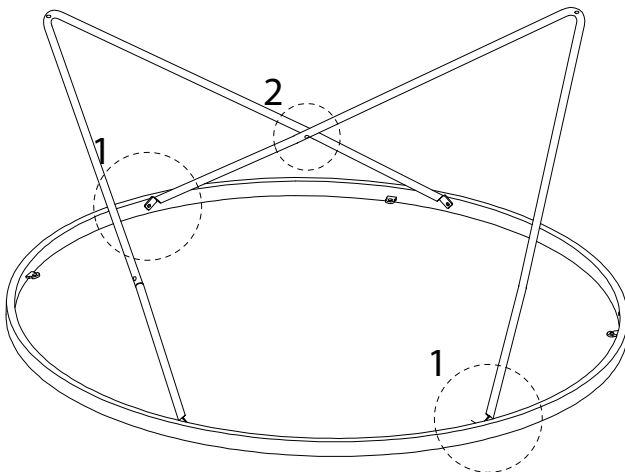
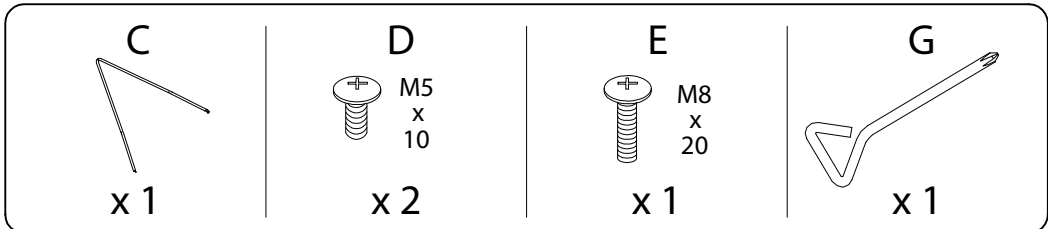
A



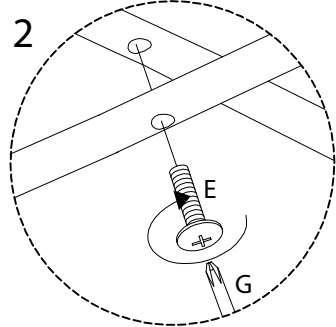
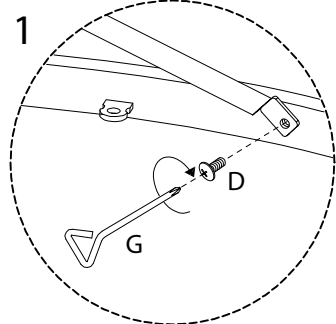
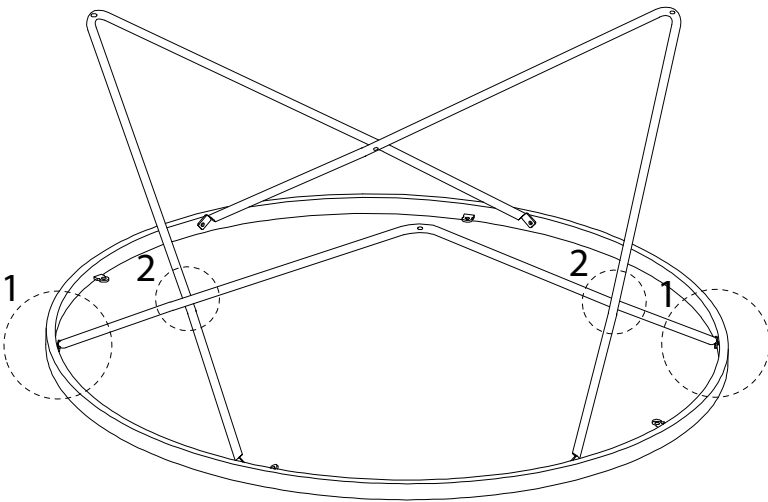
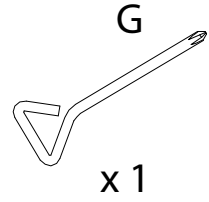
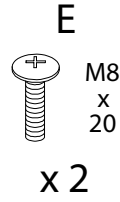
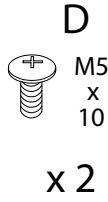
1



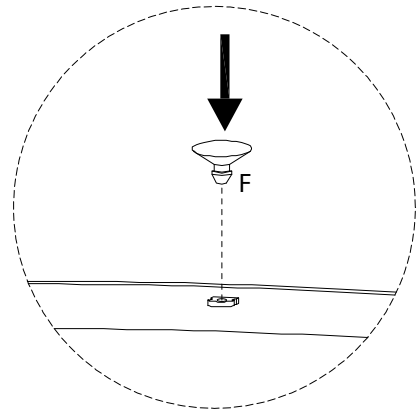
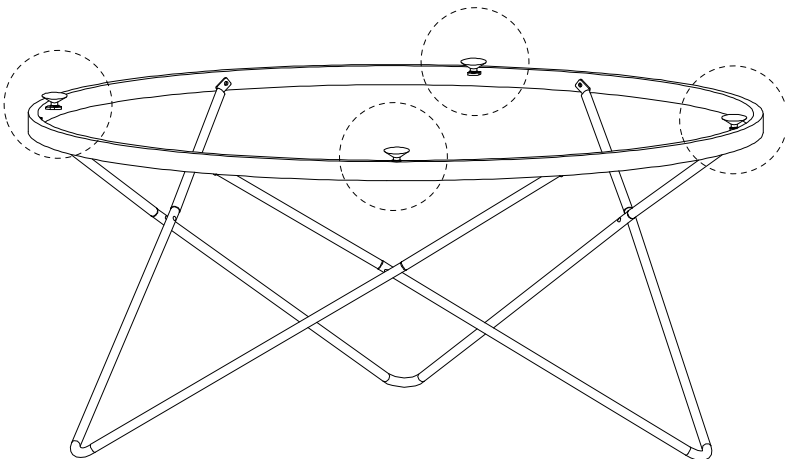
2



3



4



5

