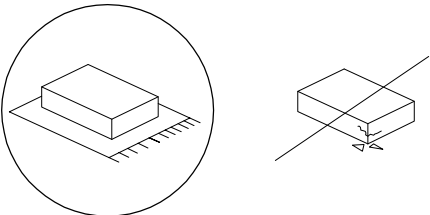
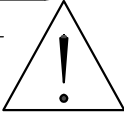
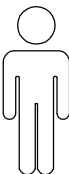
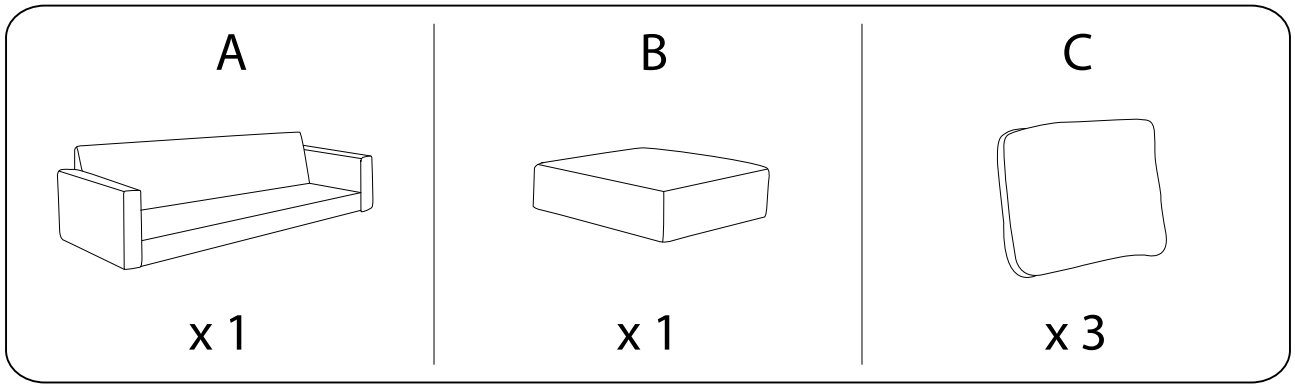
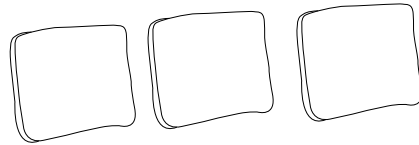
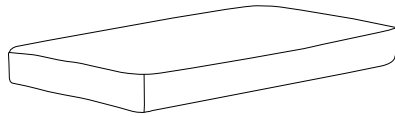

		20'
		
		1



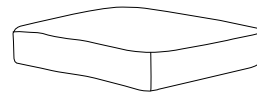
C x 3



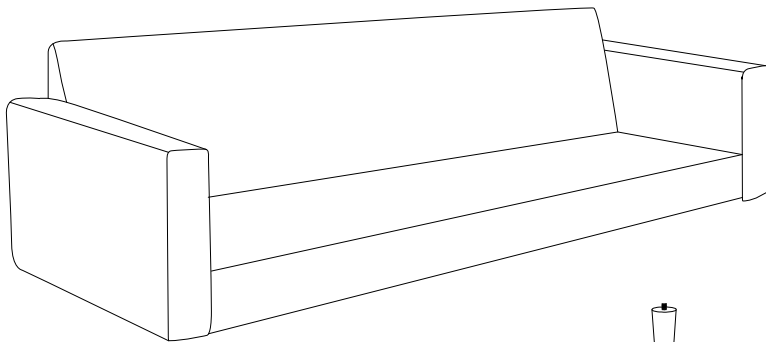
D x 1



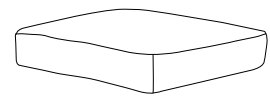
E x 1



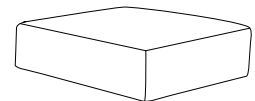
A x 1



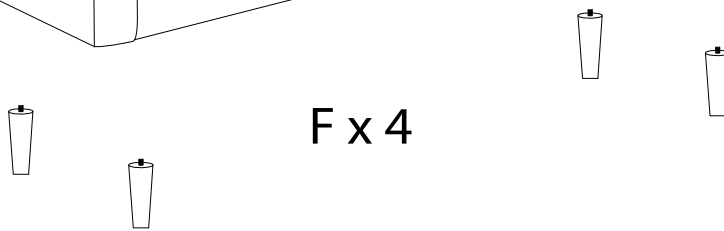
E x 1



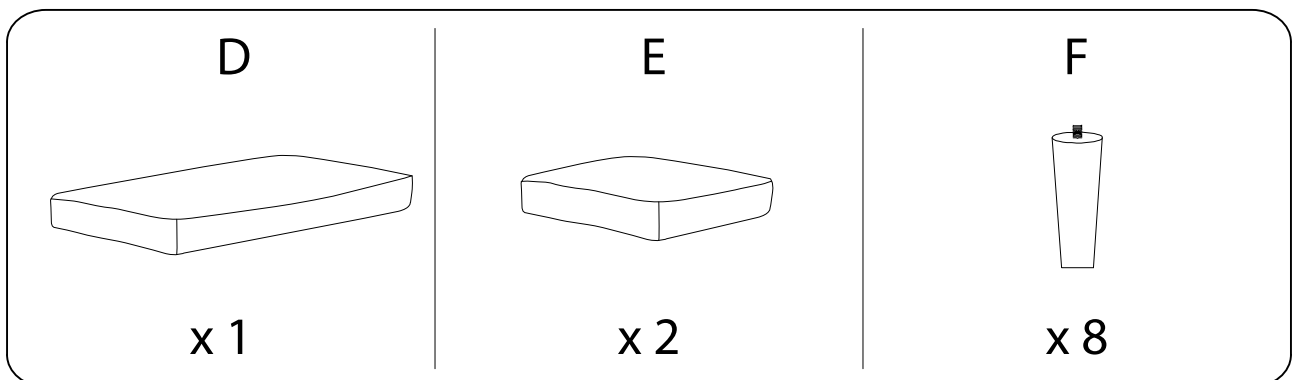
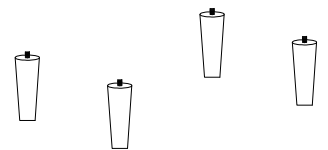
B x 1



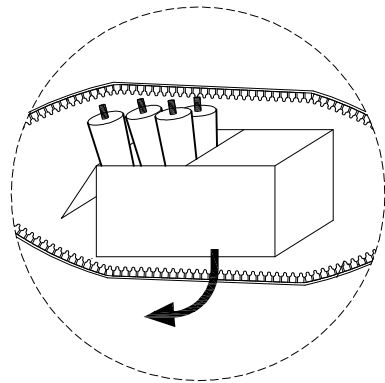
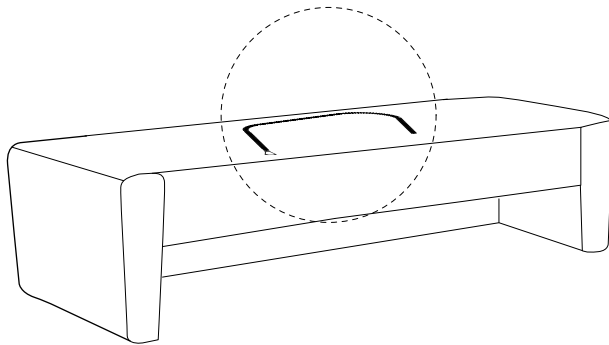
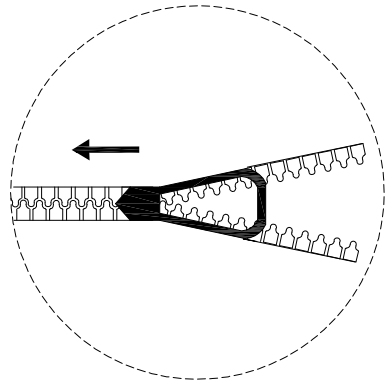
F x 4



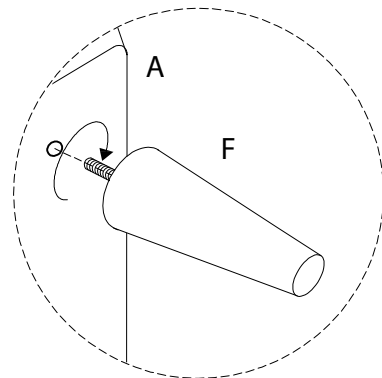
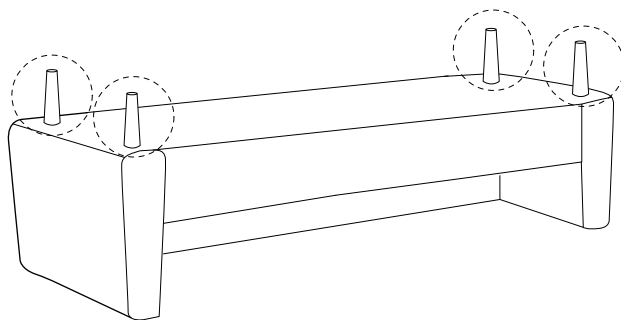
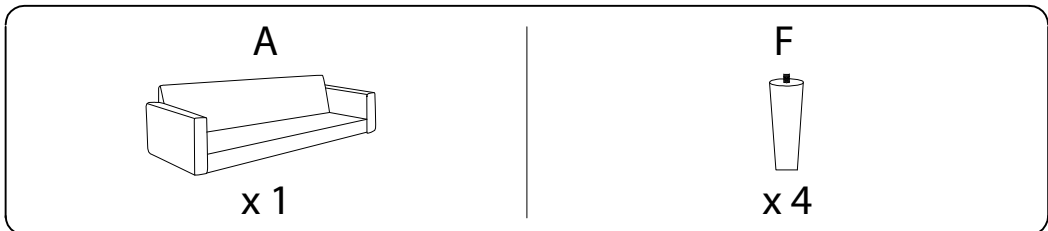
F x 4



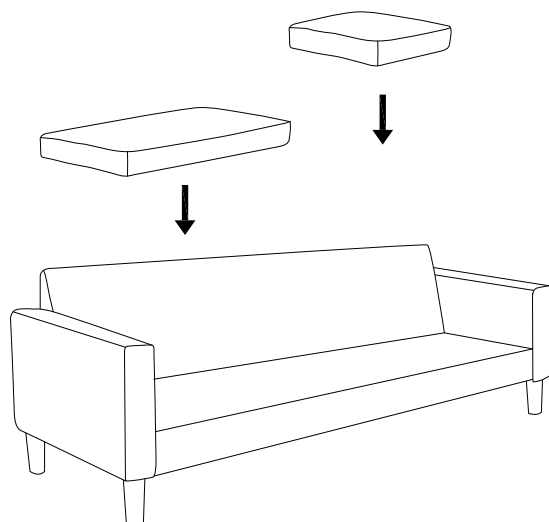
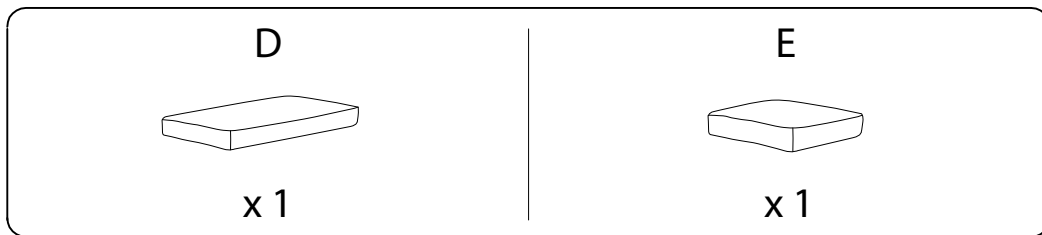
!



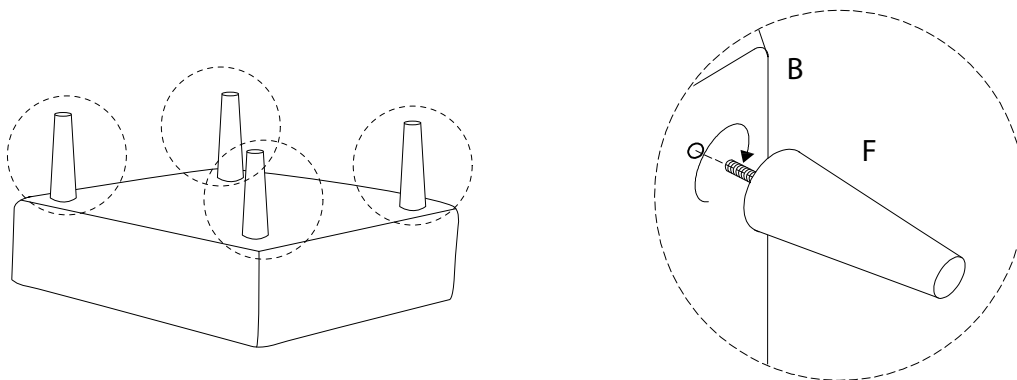
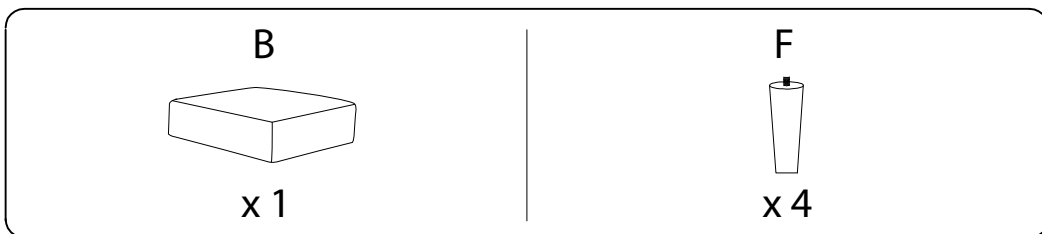
1



2



3

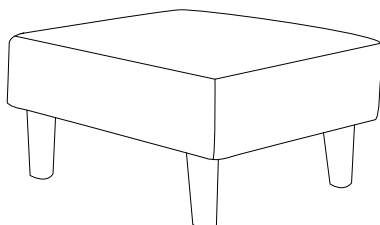
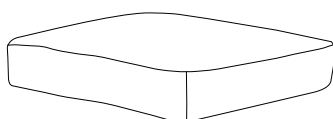


4

E



x 1



5

C



x 3

