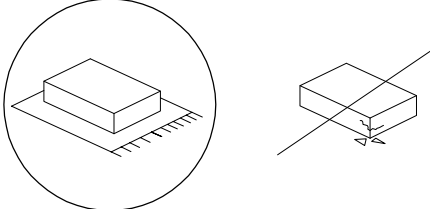
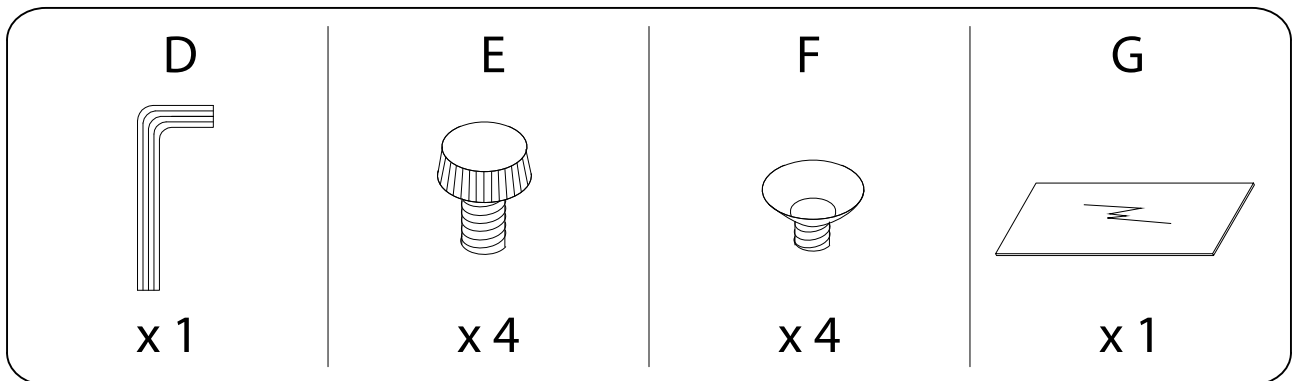
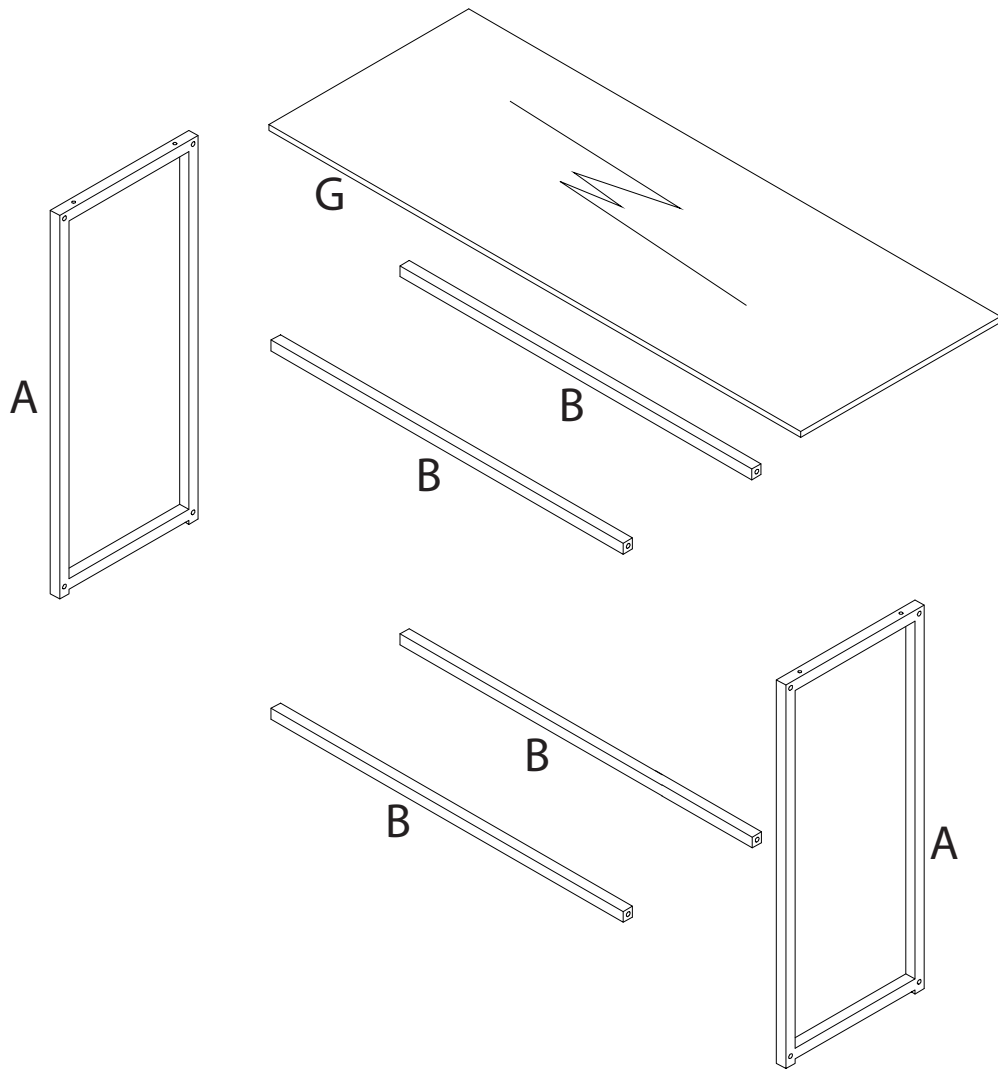
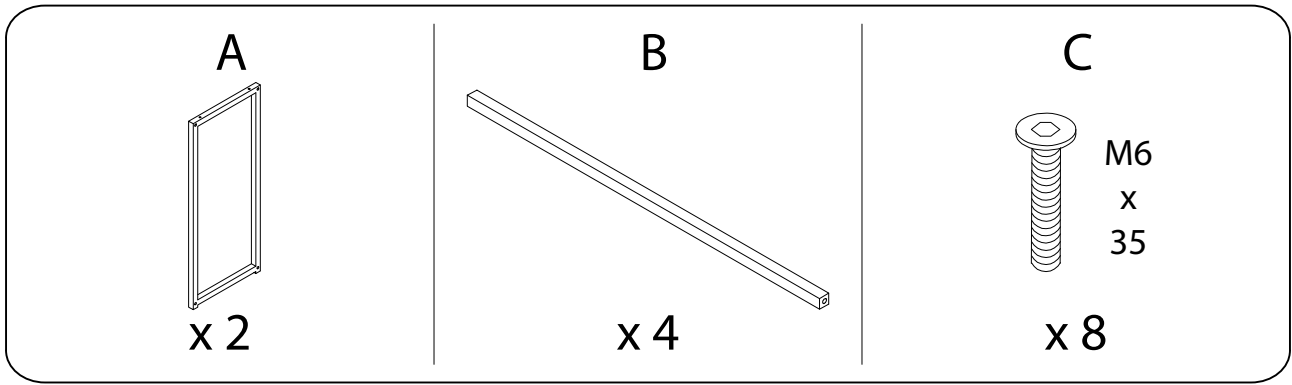
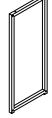
		
		20'
		
		1

1/4



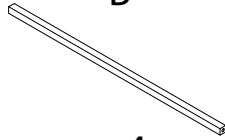
1

A



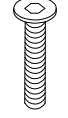
x 1

B



x 4

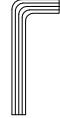
C



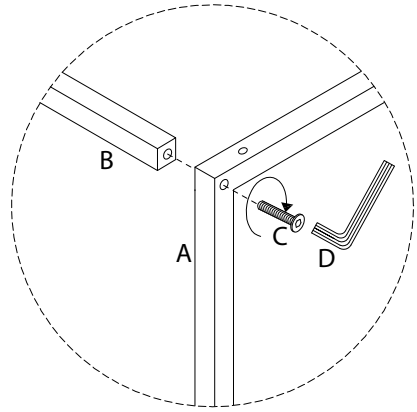
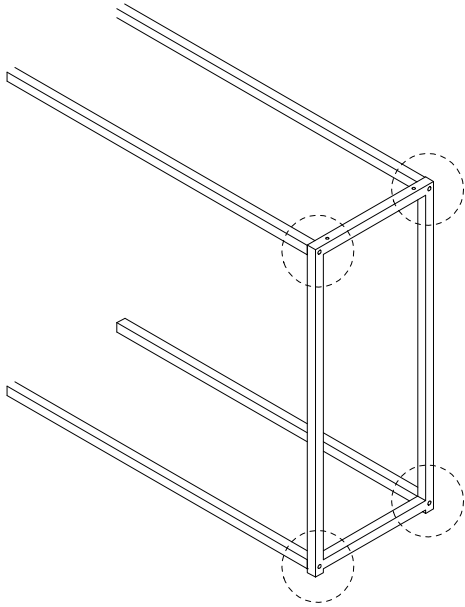
M6
x
35

x 4

D

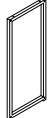


x 1



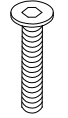
2

A



x 1

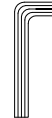
C



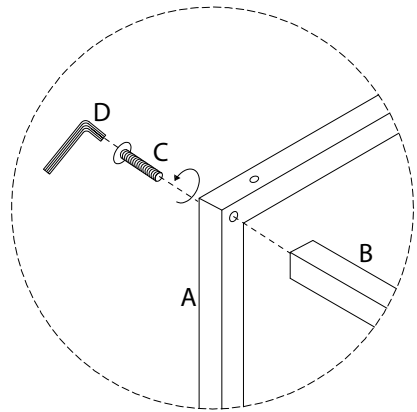
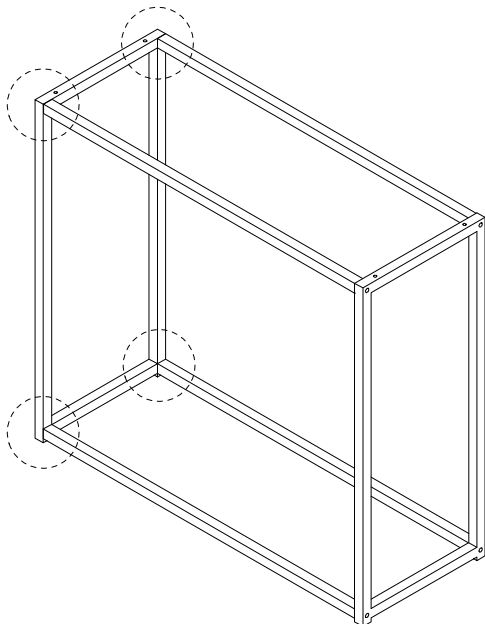
M6
x
35

x 4

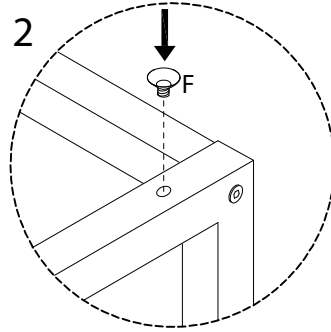
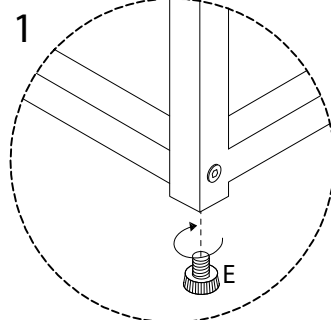
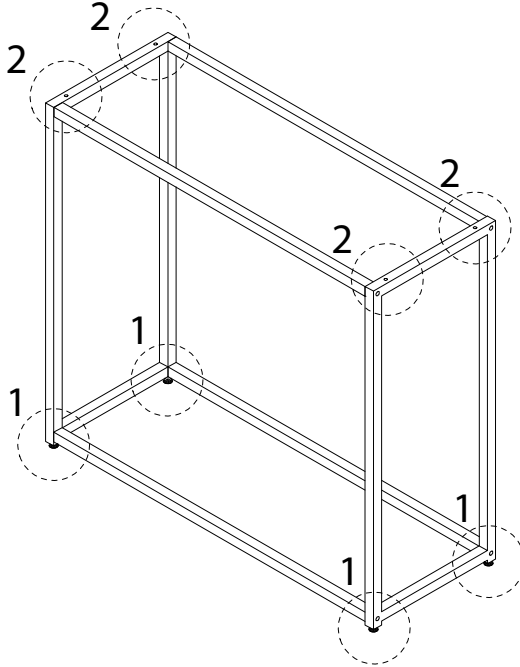
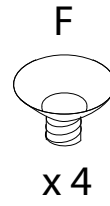
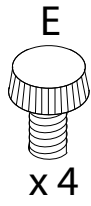
D



x 1



3



4

