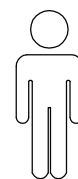
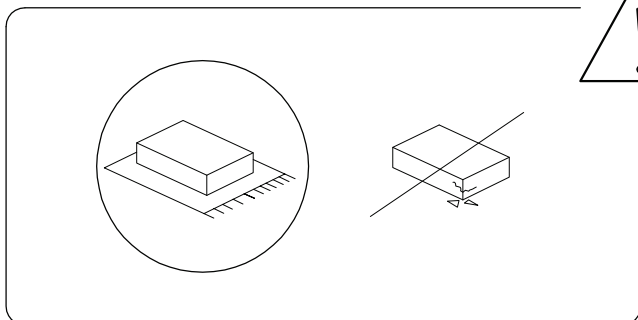
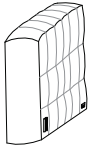


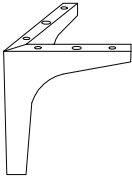


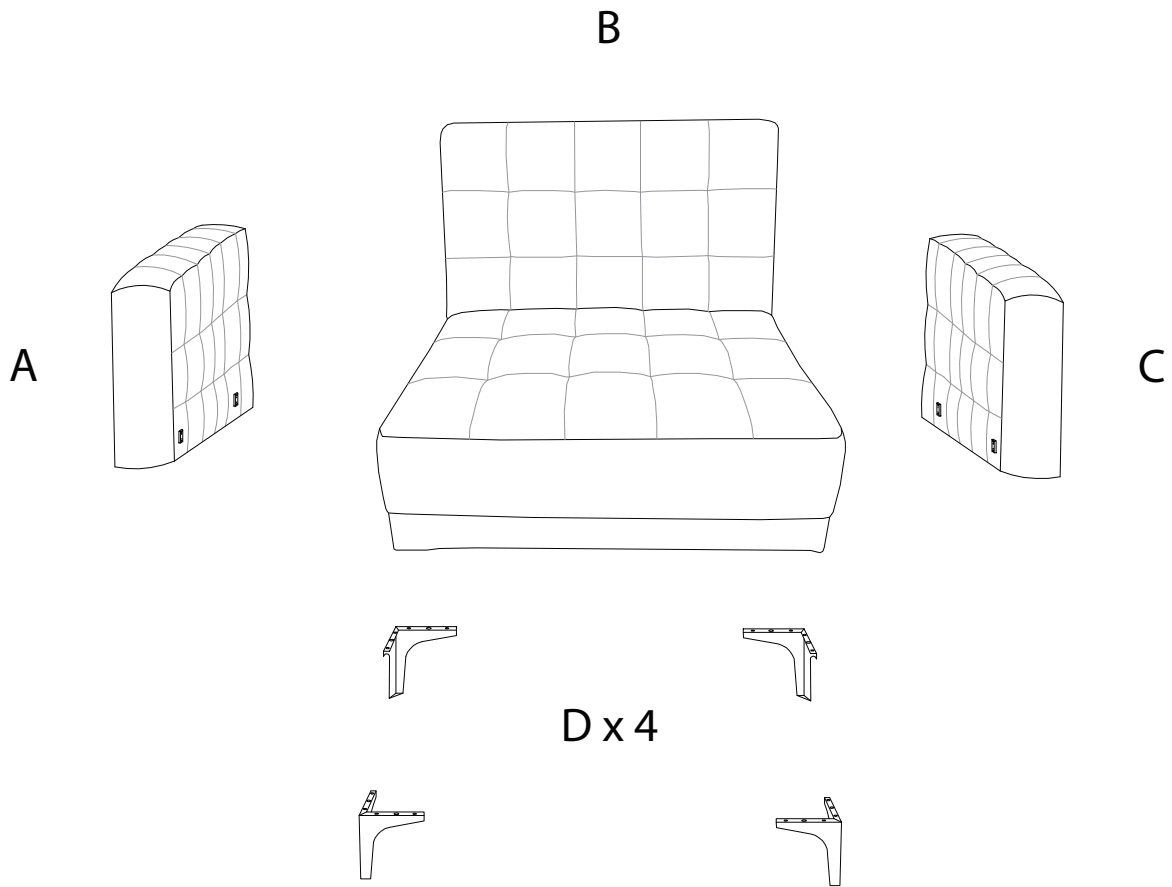
30'

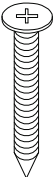

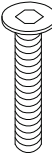



2

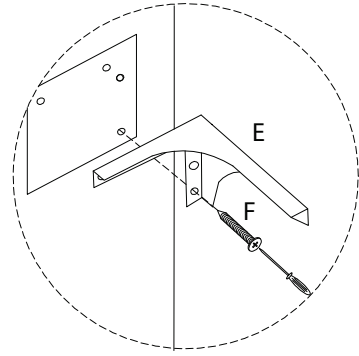
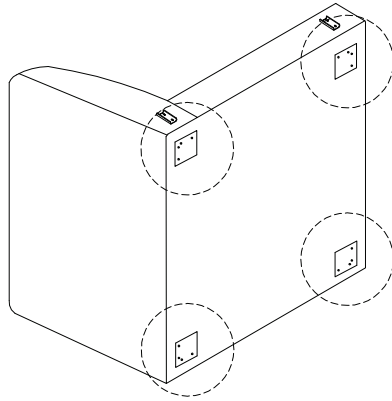
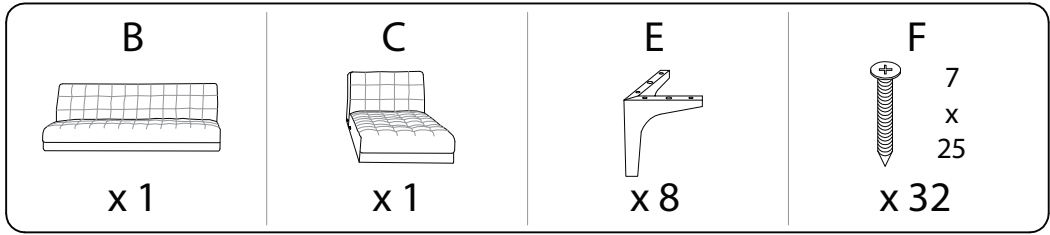
1/4

<p><b>A</b></p>  <p><b>x 1</b></p>	<p><b>B</b></p>  <p><b>x 1</b></p>	<p><b>C</b></p>  <p><b>x 1</b></p>	<p><b>D</b></p>  <p><b>x 4</b></p>
---------------------------------------------------------------------------------------------------------------------	---------------------------------------------------------------------------------------------------------------------	----------------------------------------------------------------------------------------------------------------------	-----------------------------------------------------------------------------------------------------------------------

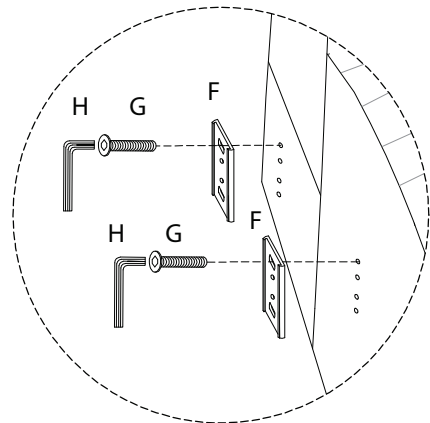
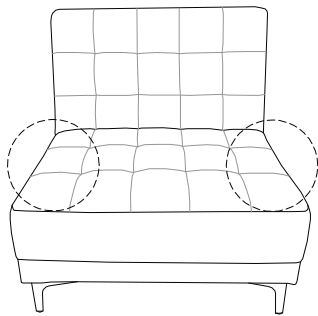
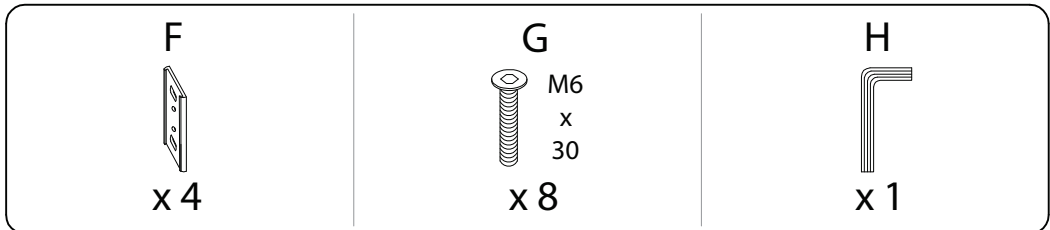


<p><b>E</b></p>  <p>5 x 25</p> <p><b>x 16</b></p>	<p><b>F</b></p>  <p><b>x 4</b></p>	<p><b>G</b></p>  <p>M6 x 30</p> <p><b>x 8</b></p>	<p><b>H</b></p>  <p><b>x 1</b></p>
----------------------------------------------------------------------------------------------------------------------------------------------	-----------------------------------------------------------------------------------------------------------------------	----------------------------------------------------------------------------------------------------------------------------------------------	-------------------------------------------------------------------------------------------------------------------------

1



2



3

A



x 1

B



x 1

