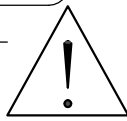
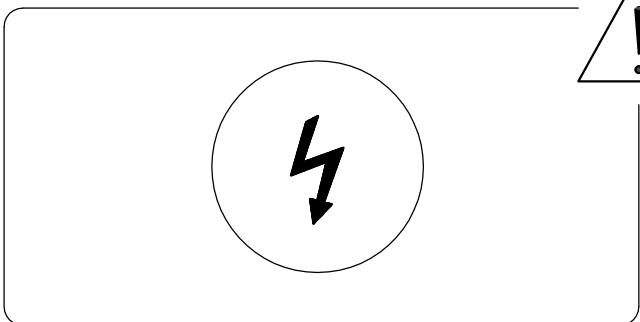
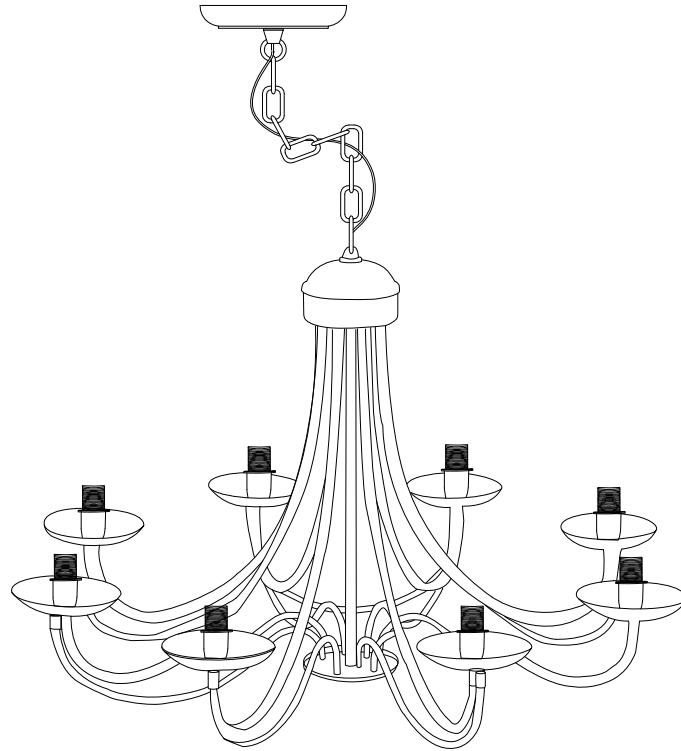
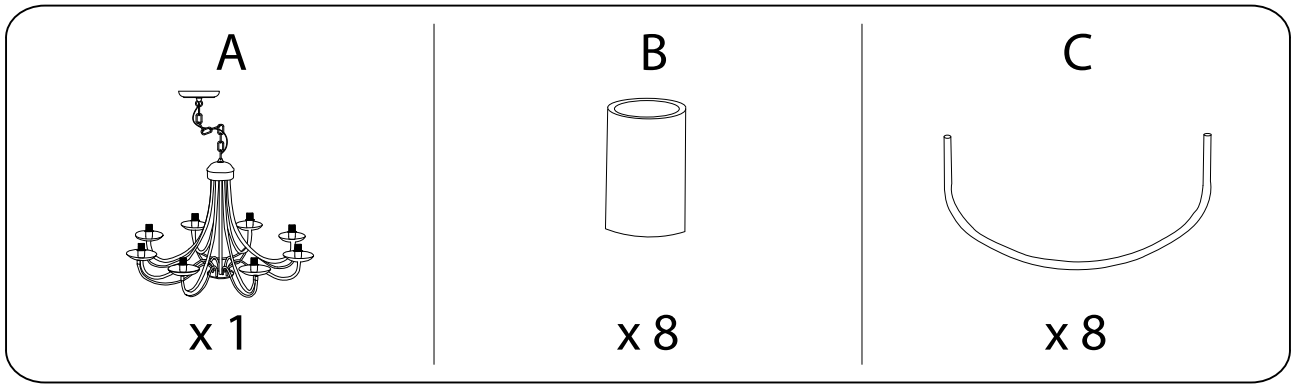


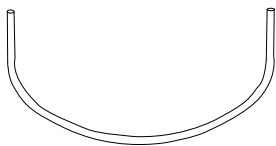
5'



1



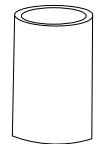
A x 1



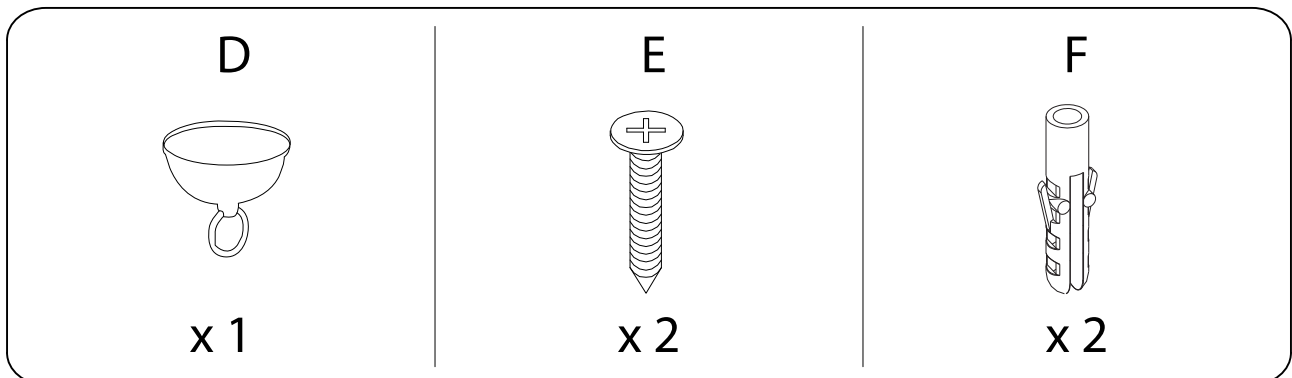
C x 8



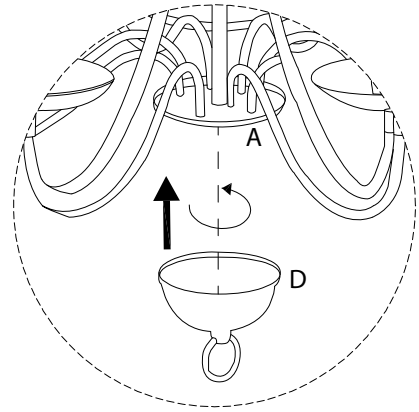
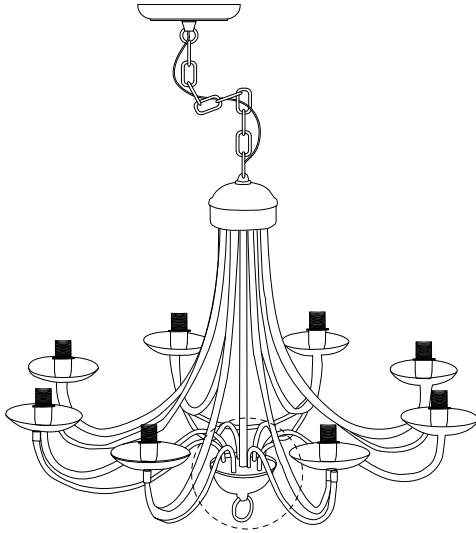
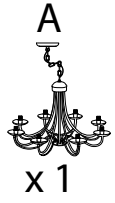
D x 1



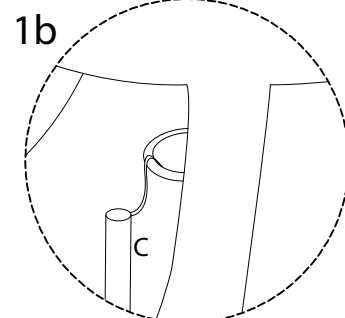
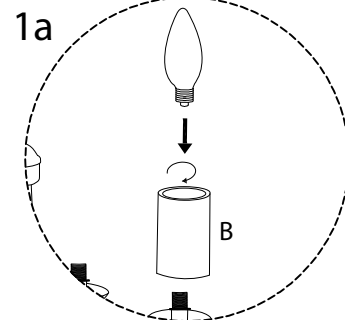
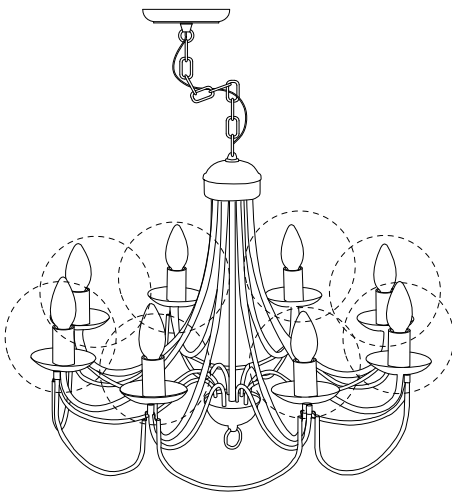
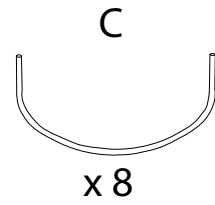
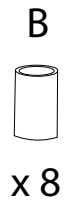
B x 8



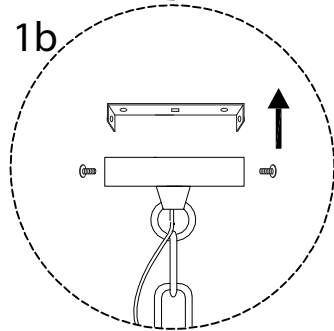
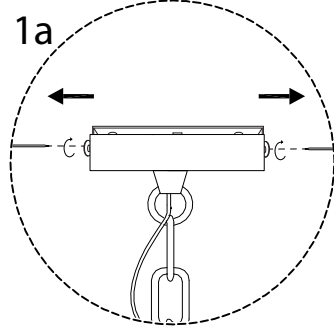
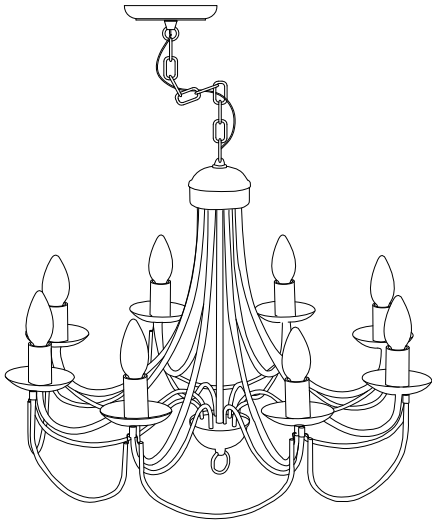
1



2



3



4

